

SERIAL NUMBER: **XXXX-XXXX**

# CRANE RATING MANUAL

**RTC-80130 Series II**  
**5-Section Boom**

For Replacement, Order Part Number: R3P0114  
(060512)

**Link-Belt<sup>®</sup>**  
CONSTRUCTION EQUIPMENT

© Link-Belt is a registered trademark.

**Not for crane operations**

# Table Of Contents

<b>Page</b>	<b>Contents</b>
3–4	Operating Instructions
4	Patent Information
5	General Dimensions
5	Tire Inflation
5	Pontoon Loadings
6	Boom Extend Modes
7	Boom Mode Performance – General Reference Guide
8	Winch Performance
8	Wire Rope Capacity Chart
9	Working Areas
10	Capacity Deductions
11	Allowable Crane Configurations – Main Boom
11	Allowable Crane Configurations – Main Boom + Attachments
12	Hydraulic Circuit Pressure Settings
12	Wind Speed Restrictions
12	Backward Stability – Maximum Boom Angle
13	Allowable Crane Configurations – Counterweight
14	Working Range Diagram
<b>Tab 1</b>	<b><u>Crane Setup</u></b>
15–18	Lifting Capacities, On Tires, 0# CTWT
<b>Tab 2</b>	<b><u>Fully Extended Outriggers</u></b>
19–26	Lifting Capacities, 0 lb CTWT
27–52	Lifting Capacities, 14,000 lb CTWT
53–78	Lifting Capacities, 17,000 lb CTWT
79–118	Lifting Capacities, 26,000 lb CTWT
119–162	Lifting Capacities, 29,000 lb CTWT
163–206	Lifting Capacities, 43,000 lb CTWT
<b>Tab 3</b>	<b><u>Intermediate Extended Outriggers</u></b>
207–212	Lifting Capacities, 0 lb CTWT
213–218	Lifting Capacities, 14,000 lb CTWT
219–224	Lifting Capacities, 17,000 lb CTWT
225–230	Lifting Capacities, 26,000 lb CTWT
231–248	Lifting Capacities, 29,000 lb CTWT
249–272	Lifting Capacities, 43,000 lb CTWT
<b>Tab 4</b>	<b><u>Fully Retracted Outriggers</u></b>
273–278	Lifting Capacities, 0 lb CTWT
279–284	Lifting Capacities, 14,000 lb CTWT
285–290	Lifting Capacities, 17,000 lb CTWT
291–296	Lifting Capacities, 26,000 lb CTWT
<b>Tab 5</b>	<b><u>On Tires</u></b>
297–300	Lifting Capacities, 14,000 lb CTWT
301–304	Lifting Capacities, 17,000 lb CTWT
305–308	Lifting Capacities, 26,000 lb CTWT

Not for crane operations



## WARNING

**READ AND UNDERSTAND THE OPERATORS AND SAFETY MANUALS AND THE FOLLOWING INSTRUCTIONS AND RATED LIFTING CAPACITIES BEFORE OPERATING THE CRANE. OPERATION WHICH DOES NOT FOLLOW THESE INSTRUCTIONS MAY RESULT IN AN ACCIDENT.**

### Operating Instructions

#### General:

1. Rated lifting capacities in pounds as shown on lift charts pertain to this crane as originally manufactured and normally equipped by Link-Belt Construction Equipment Company (LBCE). Modifications to the crane or use of optional equipment other than that specified can result in a reduction in capacity.
2. Construction equipment can be dangerous if improperly operated or maintained. Operation and maintenance of this crane must be in compliance with the information in the Operator's, Parts, and Safety Manuals supplied with this crane. If these manuals are missing, order replacements through the distributor.
3. The operator and other personnel associated with this crane shall read and fully understand the latest applicable American National Standards ASME B30.5 safety standards for cranes.
4. The rated lifting capacities are based on crane standing level on firm supporting surface.

#### Set Up:

1. The crane shall be leveled on a firm supporting surface. Depending on the nature of the supporting surface, it may be necessary to have structural supports under the outrigger pontoons or tires to spread the load to a larger bearing surface.
2. When making lifts on outriggers, all tires must be free of supporting surface. All outrigger beams must be extended to the same length; fully retracted, intermediate extended, or fully extended.
3. When making lifts on tires, they must be inflated to the recommended pressure. (See "Tire Inflation".)
4. When operating on tires or retracted outriggers, do not exceed maximum boom angle shown on "Backward Stability" Chart. Loss of backward stability will occur causing a backward tipping condition.
5. The weight of the auxiliary winch is taken into account as a part of the counterweight. Therefore the auxiliary winch, or auxiliary counterweight, must always be attached on the upper for crane operation with counterweight configurations over 0 lb.
6. For required parts of line, see "Wire Rope Capacity Chart" and "Winch Performance".
7. Before setting up the crane, refer to "Allowable Crane Configurations" and rated lifting capacities to determine allowable crane configurations.

#### Operation:

1. Rated lifting capacities at rated radius shall not be exceeded. Do not tip the crane to determine allowable loads.
2. Rated lifting capacities shall be reduced for repetitive lift applications. For concrete bucket operation, weight of bucket and load shall not exceed 80% of rated load. For duty cycle operation, such as loading and unloading, maximum allowable load shall not exceed 70% of rated load. For clamshell and magnet operation, weight of bucket, or magnet, and load shall not exceed 70% of rated load. Lifts with fly erected are prohibited for clamshell and magnet operation.
3. Rated lifting capacities shown on fully extended outriggers do not exceed 85% of the tipping loads. Rated lifting capacities shown on intermediate extended or fully retracted outriggers are determined by the formula, rated load = (tipping load - 0.1 X load factor)/1.25. Rated lifting capacities shown on tires do not exceed 75% of the tipping loads. Tipping loads are determined by SAE crane stability test code SAE J765.
4. Rated lifting capacities in shaded areas are governed by factors other than those that would cause a tipping condition.
5. Rated lifting capacities include the weight of the hook block, hook ball, slings, bucket, magnet, auxiliary lifting devices, etc. Their weights must be subtracted from the listed rated capacity to obtain the net load which can be lifted. Rated lifting capacities include the deduct for fly stowed on the base of the boom. For deducts of any fly erected, but not used, see "Capacity Deductions".
6. Rated lifting capacities are based on freely suspended loads. No attempt shall be made to move a load horizontally on the ground in any direction.
7. Rated lifting capacities are for lift crane service only.
8. Do not operate at radii or boom lengths (minimum or maximum) where capacities are not listed. At these positions, the crane can tip or cause boom failure.
9. The maximum loads which can be telescoped are not definable because of variation in loadings and crane maintenance, but it is permissible to attempt retraction and extension within the limits of the applicable load rating chart.

Not for crane operations

10. Boom extend mode EM5 is for fixed boom lengths only as shown on load rating charts. Rated lifting capacities are based on all sections pinned together. There is a 15,000 lb capacity given for telescoping the boom with rigging to the appropriate lengths for pinning the section(s) only in EM5 boom mode. Do not attempt to extend or retract the boom with more than 15,000 lb of rigging when utilizing EM5 boom mode.
11. Main boom capacities, 10' offset fly capacities, and hydraulic offset fly capacities are determined by radius and boom length. When either boom length or radius, or both are between values listed, proceed as follows:
  - a. For boom lengths not listed, use rating for next longer boom length or next shorter boom length, whichever is smaller.
  - b. For load radii not listed, use rating for next larger radius.
12. The user shall operate at reduced ratings to allow for adverse job conditions such as: soft or uneven ground, out of level conditions, wind, side loads, pendulum action, jerking, or sudden stopping of loads, hazardous conditions, experience of personnel, traveling with loads, electrical wires, etc. Side load on boom and/or fly is dangerous and shall be avoided.
13. Rated lifting capacities do not account for the effects of excessive wind on a suspended load or boom. See "Wind Speed Restrictions" chart for allowed wind speed operation and appropriate capacity reduction.
14. For cold weather operation, rated capacities should be reduced by the following rule: a 1% reduction in rated capacity should be taken for each 1°F below 0°F. Example: if the temperature is -10°F a 10% reduction in rated capacities should be taken, at -40°F a 40% reduction.
15. Heat from the sun only on one side of the boom may cause a temperature differential between the sides of the boom. The thermal effects may cause boom distortion (the boom to "deflect" to one side) creating a side load on the boom and/or fly. Side loading is dangerous and shall be avoided. Refer to the Operator's Manual for more instructions.
16. For auxiliary lifting sheave capacities, use main boom charts minus auxiliary lifting sheave deduct. (See "Capacity Deductions".) The effective length of the boom increases by 2'.
17. Rated lifting capacities are based on correct reeving. A deduction must be made for excessive reeving. Any reeving over minimum required is considered excessive and must be accounted for when making lifts. Use the Working Range Diagram to estimate the extra length of wire rope, then deduct the required wire rope weight (listed on the Wire Rope Capacity Chart) for each extra length of wire rope before attempting to lift a load.
18. The loaded boom angle combined with the boom length gives only an approximation of the operating radius. The boom angle, before loading, should be greater to account for deflection. Some capacities are limited by a maximum obtainable 80° boom angle.
19. Offset fly capacities (exceeding 10') are determined by radius only for fully extended boom lengths. For offset fly capacities with main boom length less than fully extended, the rated capacities are determined by the boom angle. For angles not shown use the next lower boom angle to determine the rated capacity. When main boom length is less than the maximum boom length at 0° boom angle shown in the offset fly load charts, 800 lb capacity is allowed for rigging purposes.
20. The 41.4' boom length structural lifting capacities are based on boom fully retracted. If the boom is not fully retracted, do not exceed capacities shown for the 55' boom length.
21. Rated lifting capacities on tires depend on tire capacity, condition of tires, and tire air pressure. On tire capacities require lifting from main boom head only with the crane supported on a smooth, firm, and level surface. Pick and carry operations are restricted to speeds of 2.5 mph and creep. The boom must be centered over the rear of the crane with two position travel swing lock engaged and the load must be restrained from swinging. Lifts on tires with any fly erected are prohibited. For correct tire pressure, see "Tire Inflation".

#### Definitions:

1. Loaded Boom Angle In Degrees:  $\angle^\circ$  The angle between the boom base section and horizontal with freely suspended load at the rated radius.
2. Load Radius: Horizontal distance from a projection of the axis of rotation to the supporting surface, before loading, to the center of the vertical hoist line or tackle with load applied.
3. Working Area: Area measured in a circular arc about the centerline of rotation as shown on the Working Areas Diagram.
4. Freely Suspended Load: Load hanging free with no direct external force applied except by the hoist line.
5. Side Load: Horizontal side force applied to the lifted load either on the ground or in the air.
6. No Load Stability Limit: The radius or boom angle beyond which it is not permitted to position the boom because the crane can overturn without any load on the hook.
7. Load Factor: Load applied at the boom tip which gives the same moment effect as the boom mass.
8. Creep: Crane movement limited to 200' in a 30 minute period and not to exceed 1 mph maximum speed.

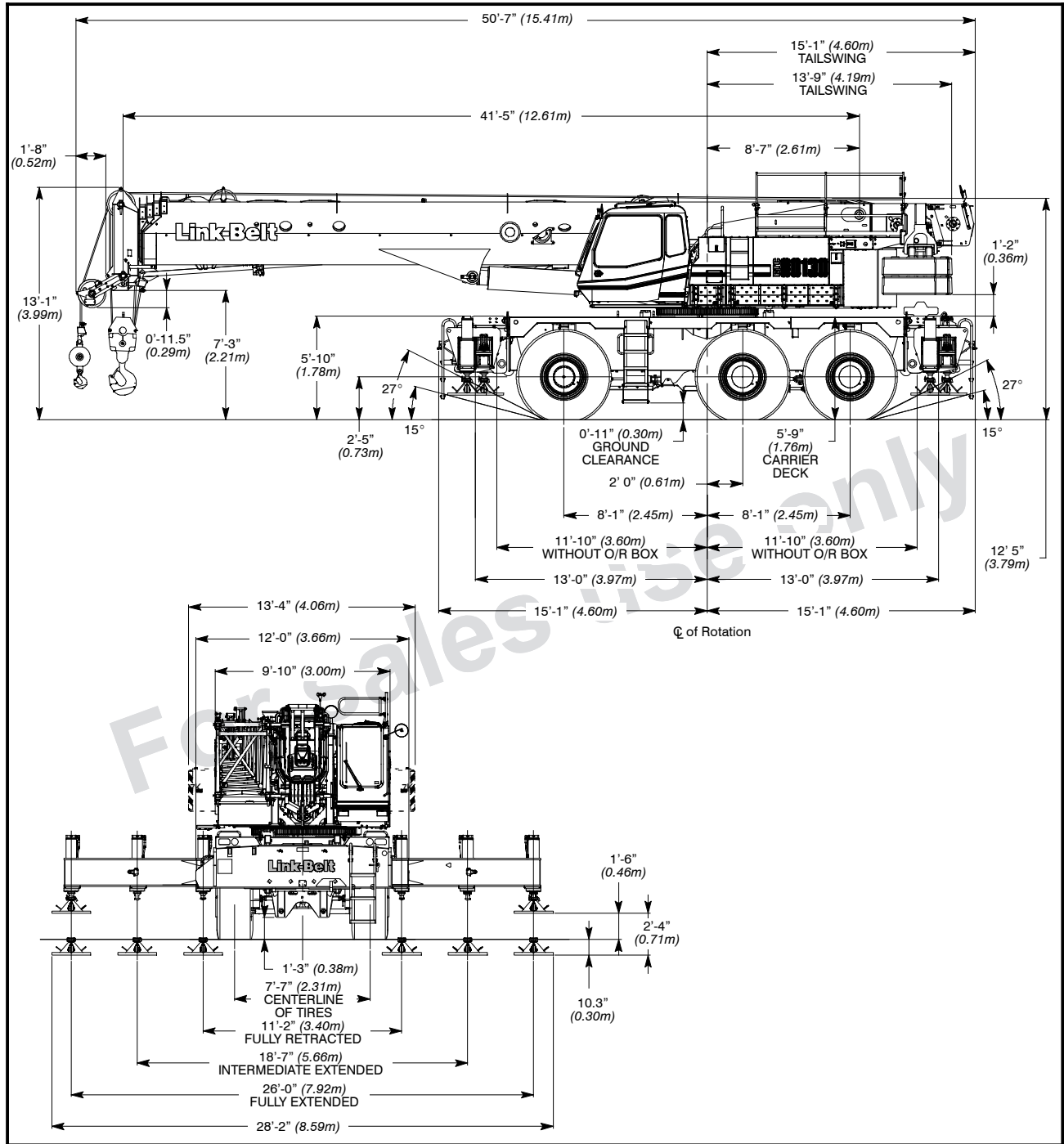
#### Patents:

1. This crane is covered by one or more of the following patents:
 

6,131,750	6,357,773
6,499,612	6,601,719
6,308,973	

Not for crane operations

# General Dimensions



## Tire Inflation

Tire Size	Operation	Tire Pressure (psi)
23.5 x 25 – 2 STAR	Stationary Creep 2.5 mph	102

## Pontoon Loadings

Maximum Pontoon Load (lb)	Maximum Pontoon Ground Bearing Pressure (psi)
160,000	301

# Boom Extend Modes

Boom Length (ft)	Boom Telescope Length (ft)							
	T4		T3		T2		T1	
41.4								
55	13.6	47%						
70	28.6	99%						
85	28.9	100%	14.7	49%				
100	28.9	100%	29.7	100%				
115	28.9	100%	29.7	100%	15.0	49%		
130	28.9	100%	29.7	100%	30.0	98%		
145	28.9	100%	29.7	100%	30.6	100%	14.4	46%
155	28.9	100%	29.7	100%	30.6	100%	24.4	78%
162	28.9	100%	29.7	100%	30.6	100%	31.4	100%

Boom Length (ft)	Boom Telescope Length (ft)							
	T4		T3		T2		T1	
41.4								
55	13.6	47%						
70	25.9	90%	2.7	9%				
85	25.9	90%	17.7	60%				
100	25.9	90%	26.7	90%	6.0	20%		
115	25.9	90%	26.7	90%	21.0	69%		
130	25.9	90%	26.7	90%	27.6	90%	8.4	27%
140	25.9	90%	26.7	90%	27.6	90%	18.4	59%
150	25.9	90%	26.7	90%	27.6	90%	28.4	90%

Boom Length (ft)	Boom Telescope Length (ft)							
	T4		T3		T2		T1	
41.4								
55	13.2	46%	0.4	1%				
70	13.2	46%	14.1	47%	1.3	4%		
85	13.2	46%	14.1	47%	16.3	53%		
100	13.2	46%	14.1	47%	27.6	90%	3.7	12%
115	13.2	46%	14.1	47%	27.6	90%	18.7	60%
124.7	13.2	46%	14.1	47%	27.6	90%	28.4	90%

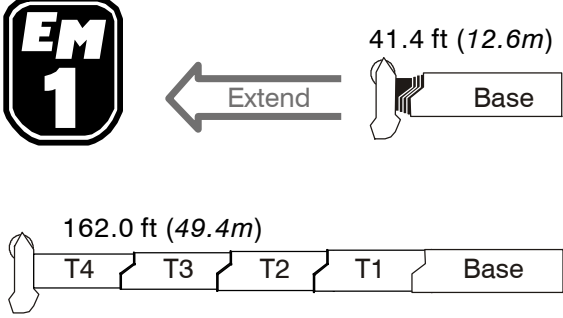
  

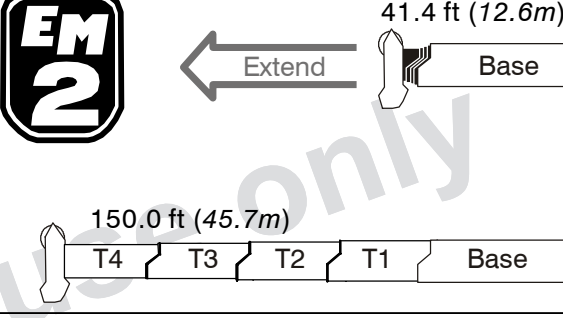
Boom Length (ft)	Boom Telescope Length (ft)							
	T4		T3		T2		T1	
41.4								
55	13.2	46%	0.4	1%				
70	13.2	46%	14.1	47%	1.3	4%		
85	13.2	46%	14.1	47%	14.9	49%	1.4	4%
100	13.2	46%	14.1	47%	14.9	49%	16.4	52%
112	13.2	46%	14.1	47%	14.9	49%	28.4	90%

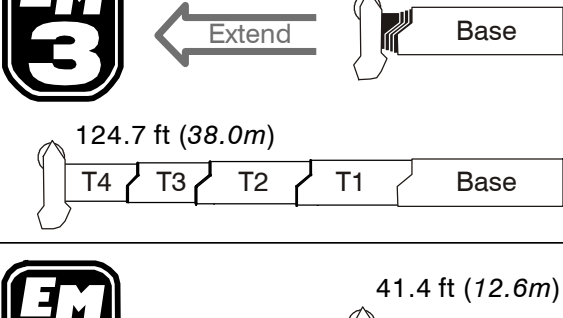
  

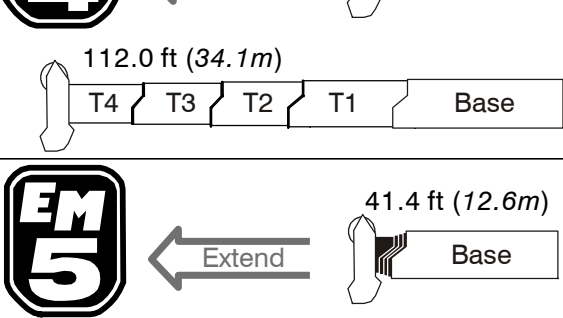
Boom Length (ft)	Fixed Length (ft)							
	T4		T3		T2		T1	
41.4								
55.5			14.1	47%				
70.4			14.1	47%	14.9	49%		
86.2			14.1	47%	14.9	49%	15.8	50%

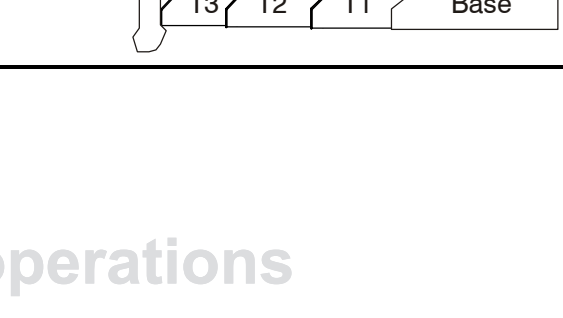
  











Not for crane operations

# Boom Mode Performance – General Reference Guide

Shaded areas reflect maximum capacity at radius, based on boom modes and boom lengths.

		EM1	EM2	EM3	EM4	EM5			EM1	EM2	EM3	EM4	EM5			EM1	EM2	EM3	EM4	EM5
0 lb Counterweight						26,000 lb Counterweight						43,000 lb Counterweight								
Radius (ft)	Boom Length (ft)					Radius (ft)	Boom Length (ft)					Radius (ft)	Boom Length (ft)							
	55'				55.5'		55'				55.5'		55'				55.5'			
10						10						10								
25						25						25								
45						45						45								
	70'				70.4'		70'				70.4'		70'				70.4'			
10						10						10								
25						25						25								
40						40						40								
55						55						55								
	85'				86.2'		85'				86.2'		85'				86.2'			
15						15						15								
30						30						30								
45						45						45								
60						60						60								
75						75						75								
	100'						100'					100'								
25						25						25								
35						35						35								
45						45						45								
55						55						55								
65						65						65								
75						75						75								
85						85						85								
	115'		115.6'		112'		115'		115.6'		112'		115'		115.6'		112'			
25						25						25								
35						35						35								
45						45						45								
60						60						60								
75						75						75								
90						90						90								
105						105						105								
	130'		124.7'				130'		124.7'			130'		124.7'						
25						25						25								
40						40						40								
55						55						55								
70						70						70								
85						85						85								
105						105						105								
120						120						120								
	145'		140'				145'		140'			145'		140'						
30						30						30								
45						45						45								
60						60						60								
75						75						75								
95						95						95								
115						115						115								
135						135						135								
	155'		150'				155'		150'			155'		150'						
35						35						35								
50						50						50								
65						65						65								
80						80						80								
100						100						100								
120						120						120								
140						140						140								

Not for crane operations

# Winch Performance

Wire Rope Layer	Winch Line Pulls		Drum Rope Capacity (ft)	
	Two Speed Winch			
	Low Speed	High Speed	Layer	Total
	Available (lb*)	Available (lb)		
1	21,022	9,474	125	125
2	18,968	8,549	138	263
3	17,280	7,788	152	415
4	15,868	7,151	165	580
5	14,669	6,611	179	759
6	13,639	6,147	192	951

\*Maximum lifting capacity: Type GC Rope=30,285 lb, Type RB Rope=17,520 lb, Type ZB Rope=20,920 lb

## Wire Rope Capacity Chart

Maximum Lifting Capacities Based On Wire Rope Strength					Wire Rope Line Pull – Fifth Layer*
Parts of Line	7/8"	7/8"	7/8"	7/8"	
	Type GC	Type RB	Type ZB	Type YB	
1	30,285	17,520	20,920	21,920	14,669
2	60,570	35,040	41,840	43,840	29,338
3	90,855	52,560	62,760	65,760	44,007
4	121,140	70,080	83,680	87,680	58,676
5	151,425	87,600	104,600	109,600	73,345
6	181,710	105,120	125,520	131,520	88,014
7	211,995	122,640	146,440	153,440	102,683
8	242,280	140,160	167,360	175,360	117,352
9	272,565	157,680	188,280	197,280	132,021
10	302,850	175,200	209,200	219,200	146,690
11	–	192,720	230,120	241,120	161,359
12	–	210,240	251,040	263,040	176,028
13	–	227,760	271,960	284,960	190,697
14	–	245,280	292,880	306,880	205,366
Rope Weight - Pounds Per Foot	1.5	1.6	1.5	1.7	N/A
LBCE Type	Description				
GC	4 Strand, Low Torque, Compacted Strand, Right Regular Lay				
RB	18 X 19 Rotation Resistant – Compacted Strand – High Strength Preformed, Right Regular Lay				
ZB	34 X 7 Non–Rotating, E.I.P.S., Right Regular Lay or Right Lang Lay				
YB	34 X 7 Rotation Resistant – WSC – Compacted Strand – Right Lang Lay				

\* Available low speed winch line pull on fifth layer wire rope.

**Notes:**

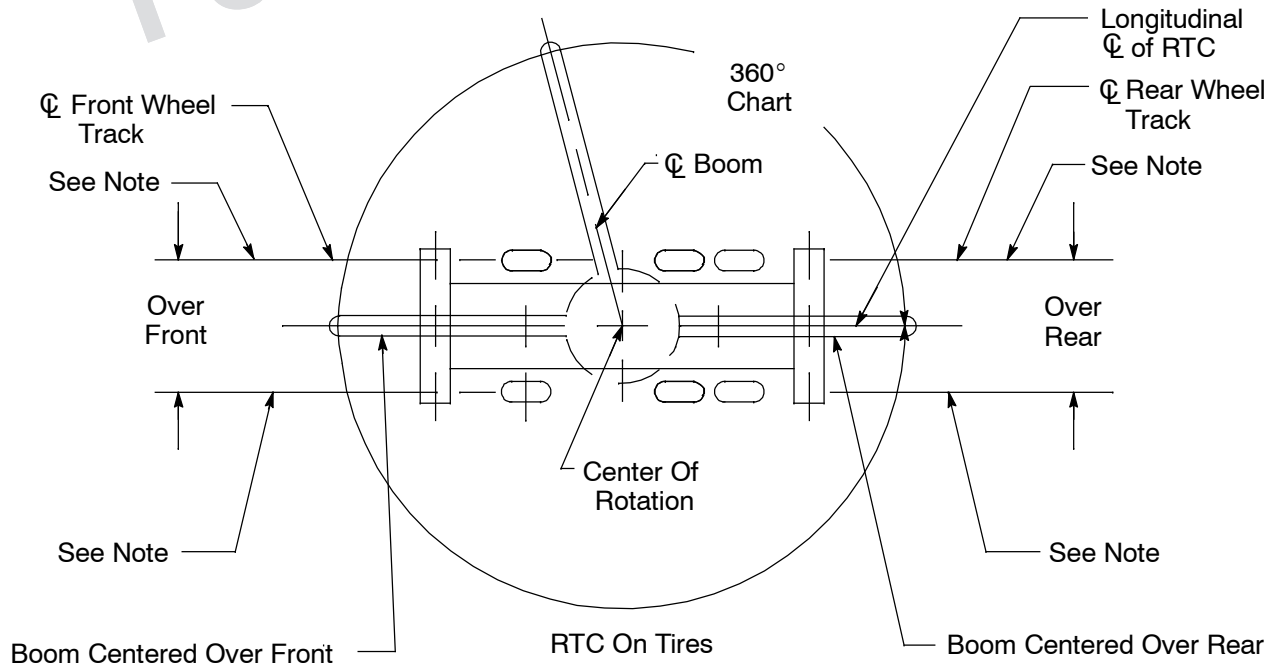
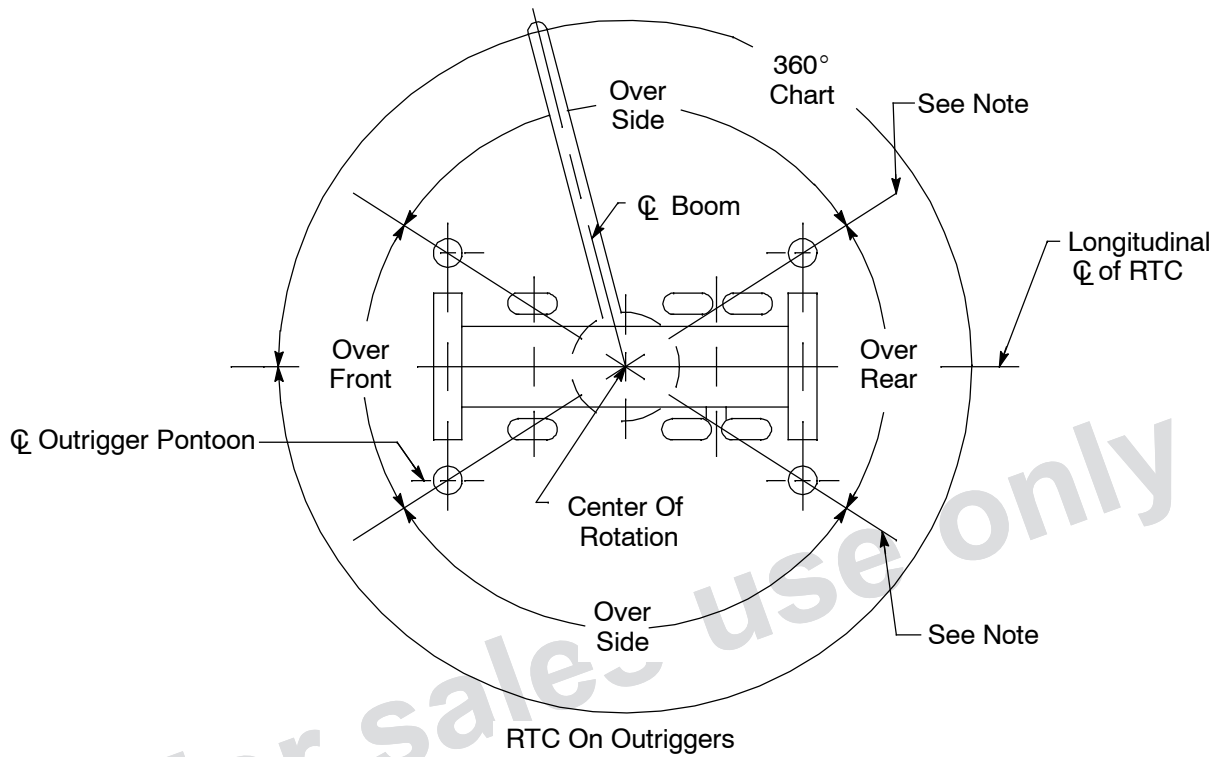
1. Capacities shown are in pounds and working loads must not exceed the ratings on the capacity charts in this Crane Rating Manual.
2. Capacity deducts for auxiliary lifting devices do not apply for wire rope strength capacities.
3. Special reeving is required when using more than 12 parts of line.
4. Consult Operator’s Manual for wire rope inspection procedures, single part of line applications, and reeving diagrams.
5. Due to the high single line pull allowable when using type “GC” wire rope, it is recommended that the winch available line pull be used to calculate the required parts of line to make the lift. (Calculations are given for fifth layer. See Wire Rope Capacity Chart above.)

If using other than the fifth layer, calculate per the follow examples:  
 Using the 1st layer line pull to lift from:  $(\text{Load}(\text{lb})/21,022 = \text{Parts of line})$   
 Using the 5th layer line pull to lift from:  $(\text{Load}(\text{lb})/14,669 = \text{Parts of line})$

If the above formula is not used to calculate parts of line for the type “GC” wire rope, the possibility exists that the wire rope single line pull will be greater than the winch available line pull, causing the winch to stall.



# Working Areas



**Note: These Lines Determine The Limiting Position Of Any Load For Operation Within Working Areas Indicated.**

Not for crane operations

# Capacity Deductions

Load Handling Equipment	Weight (lb)
35 Ton Quick Reeve 1 Sheave Hook Block (See Hook Block For Actual Weight)	1,100
50 Ton Quick Reeve 4 Sheave Hook Block (See Hook Block For Actual Weight)	1,200
80 Ton Quick Reeve 5 Sheave Hook Block (See Hook Block For Actual Weight)	1,410
100 Ton Quick Reeve 6 Sheave Hook Block (See Hook Block For Actual Weight)	1,750
140 Ton Quick Reeve 7 Sheave Hook Block (See Hook Block For Actual Weight)	2,400
12 Ton Hook Ball (See Hook Ball For Actual Weight)	720

Auxiliary Lifting Devices	Weight (lb)	
Auxiliary Lifting Sheave Attached	100	
<b>Lifting From Main Boom With:</b>	<b>Offset Fly</b>	<b>Hydraulic Offset Fly</b>
10', 31', or 55' Fly Stowed On Boom Base (See Operation Note 5)	0	0
10' Offset Fly Erected But Not Used	2,700	3,300
31' Offset Fly Erected But Not Used	5,700	7,700
55' Offset Fly Erected But Not Used	10,500	13,400
73' Offset Fly Erected But Not Used	<b>Prohibited</b>	<b>Prohibited</b>
91' Offset Fly Erected But Not Used	<b>Prohibited</b>	<b>Prohibited</b>
109' Offset Fly Erected But Not Used	<b>Prohibited</b>	<b>Prohibited</b>
18' Fly Extension Erected But Not Used	3,100	3,100
<b>Lifting From 10' or 33' Offset Fly With:</b>	<b>Offset Fly</b>	<b>Hydraulic Offset Fly</b>
21' Fly Erected But Not Used	<b>Prohibited</b>	<b>Prohibited</b>
24' Fly Tip Erected But Not Used	<b>Prohibited</b>	<b>Prohibited</b>
24' Fly Tip Stowed On 31' Offset Fly	<b>Prohibited</b>	<b>Prohibited</b>
<b>Note: Capacity deductions are for Link-Belt supplied equipment only.</b>		

Not for crane operations

## Allowable Crane Configurations Main Boom

O/R Position	Ctwt (lb)	Boom Length (ft)					
		EM1	EM2	EM3	EM4	EM5	
Full	0	41.4-162	41.4-150	41.4-124.7	41.4-112	41.4-86.2	
	14,000						
	17,000						
	26,000						
	29,000						
43,000							
Intermediate	0	41.4-130	41.4-130	41.4-115	41.4-112	41.4-86.2	
	14,000	41.4-162	41.4-150	41.4-124.7			
	17,000						
	26,000						
	29,000						
43,000							
Retracted	0	41.4-100	41.4-100	41.4-85	41.4-85	41.4-70.4	
	14,000	41.4-130	41.4-130	41.4-115	41.4-112	41.4-86.2	
	17,000						
	26,000						
	29,000						
43,000	Prohibited						
On Tires						0	41.4-85
						14,000	41.4-130
						17,000	
						26,000	
	29,000						
43,000							

## Allowable Crane Configurations Main Boom + Attachments

O/R Position	Ctwt (lb)	Fly Length (ft)							18' Ext.
		10' Fly	31' Fly	55' Fly	73' Fly	91' Fly	109' Fly		
Full	0	Prohibited							
	14,000								
	17,000								EM1 41.4-162 EM2 41.4-150 EM3 41.4-124.7
	26,000								
	29,000								
43,000									
Intermediate	0	Prohibited							
	14,000								
	17,000								
	26,000								
	29,000								EM1 41.4-162 EM2 41.4-150 EM3 41.4-124.7
43,000									
Retracted	0-43,000								
On Tires	0-43,000								

# Hydraulic Circuit Pressure Settings

Function	Pressure (psi)
Outrigger	3,000
Pilot Control	575
Park Brake	350
Carrier Charge Circuit	325
Travel/Winch Pump Charge Circuit	380
Boom Hoist Raise/Boom Telescope Retract	4,550
Boom Telescope Extend	3,300
Boom Hoist Lower	2,000
Swing	2,200
Counterweight Removal (If Equipped)	1,000
Boom Pinning Cylinder Extend	100

## Wind Speed Restrictions

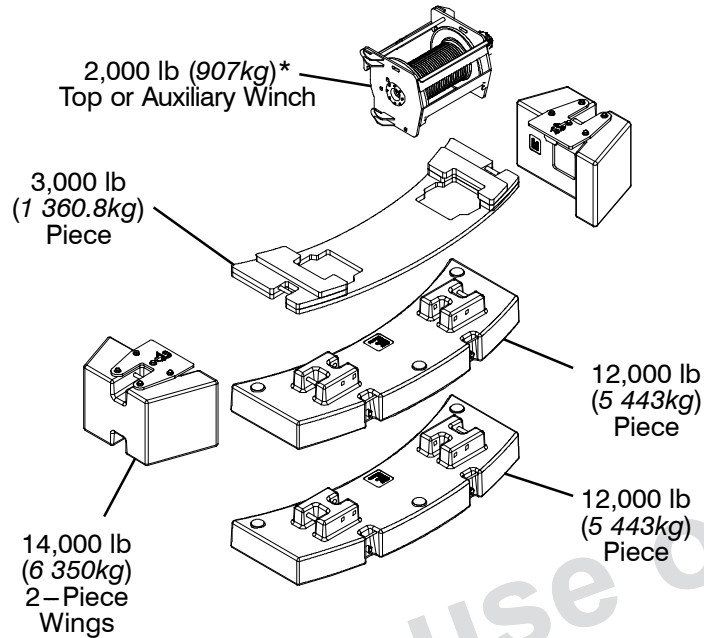
If The Wind Speed Is:	Rated Lifting Capacities Must Be Reduced By At Least:
<b>Main Boom, 10', 31', &amp; 55' Fly</b>	
0–20 mph	Normal Lifting Operations (See Capacity Charts)
21–29 mph	40%
30–39 mph	70%
40 mph or greater	Crane operation must be shutdown and the boom retracted and lowered to horizontal.
<b>73', 91', &amp; 109' Fly</b>	
0–16 mph	Normal Lifting Operations (See Capacity Charts)
17–23 mph	40%
24–31 mph	70%
32 mph or greater	Crane operation must be shutdown and the boom retracted and lowered to horizontal.
<ul style="list-style-type: none"> <li>• Additional reductions are required for loads with large wind sail area.</li> <li>• These restrictions are based on crane on fully extended outriggers.</li> <li>• When wind speed for normal operation is exceeded, the operator shall add 10° to all minimum boom angles due to no load stability and shall not boom down below that angle.</li> </ul>	

## Backward Stability – Maximum Boom Angle

Counterweight (lb)	On Tires			Outrigger Position		
	Side	Front	Rear	Retracted	Intermediate	Full
	0	71°	76°	80°	80°	80°
14,000	62°	69°	80°	80°		
17,000	58°	65°	80°	80°		
26,000	46°	55°	80°	74°		
29,000	41°	51°	80°	71°		
43,000	0°	27°	80°	56°		

Maximum boom angle is based on retracted boom at the least stable over side position.

# Allowable Crane Configurations – Counterweight

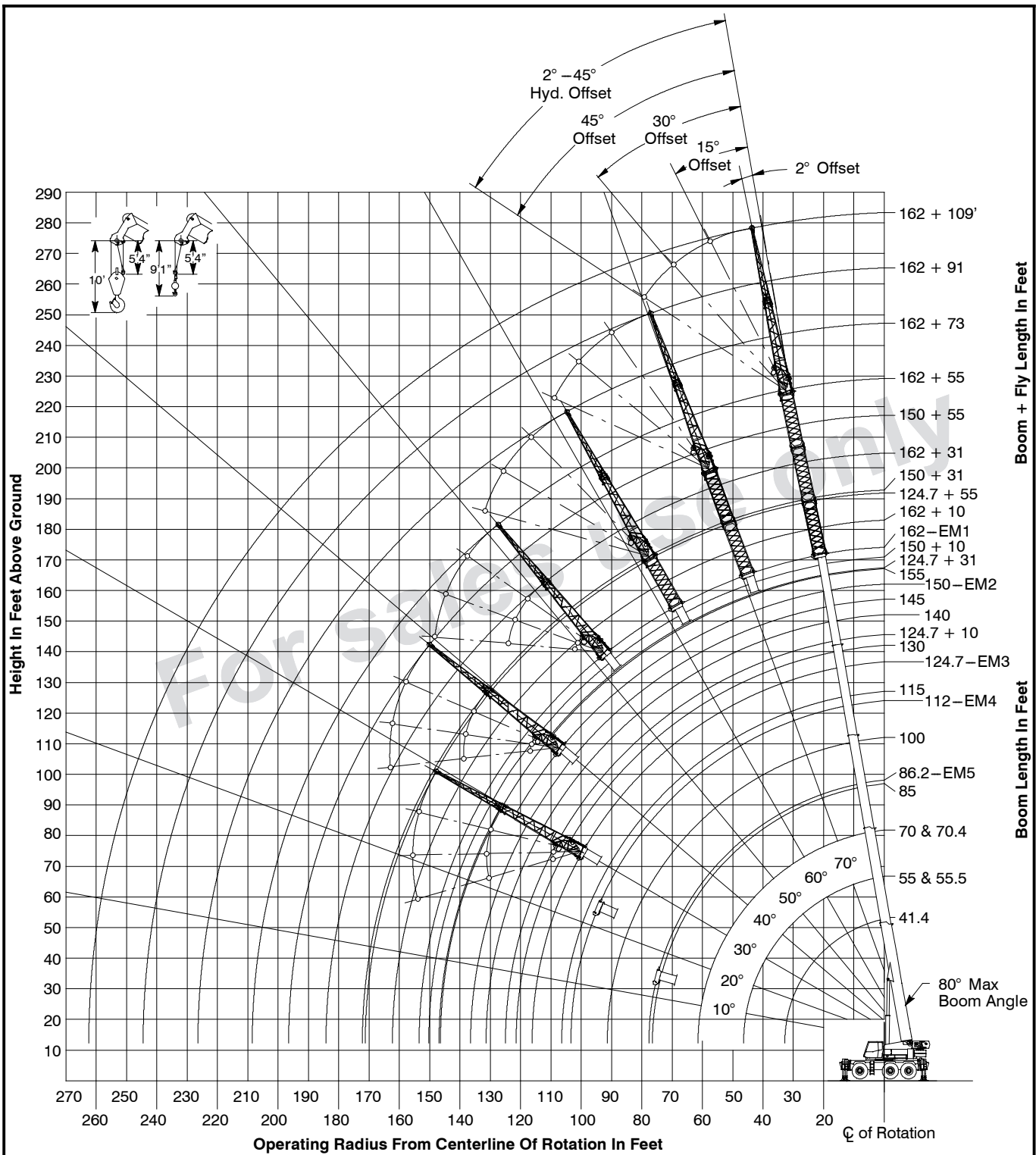


Counterweight Modules		3,000 lb (1 361kg) Piece	12,000 lb (5 443kg) Piece	12,000 lb (5 443kg) Piece	2,000 lb (907kg) Top*	14,000 lb (6 350kg) 2-Piece
Counterweight Usage Configurations	0 lb (0kg)					
	14,000lb (6 350kg)		X		X	
	17,000 lb (7 711kg)	X	X		X	
	26,000 lb (11 794kg)		X	X	X	
	29,000 lb (13 154kg)	X	X	X	X	
	43,000 lb (19 505kg)	X	X	X	X	X

\* Auxiliary winch replaces this counterweight for a two-drum configuration

Not for crane operations

# Working Range Diagram



**Note:** Boom and fly geometry shown are for unloaded condition and crane standing level on firm supporting surface. Boom deflection, subsequent radius, and boom angle change must be accounted for when applying load to hook.



## WARNING

Do Not Lower The Boom Below The Minimum Boom Angle For No Load Stability As Shown In The Lift Charts For The Boom Lengths Given. Loss Of Stability Will Occur Causing A Tipping Condition.

Not for crane operations

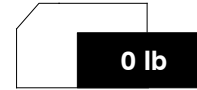
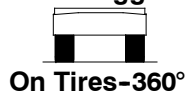
Rated Lifting Capacities In Pounds Stationary - Between Tire Tracks		Without Outrigger Boxes							
		On Tires-Over Rear				0 lb			
Load Radius (ft)	41.4 ft		55.0 ft		70.0 ft		85.0 ft		
	$\Delta^\circ$	Over Rear	$\Delta^\circ$	Over Rear	$\Delta^\circ$	Over Rear	$\Delta^\circ$	Over Rear	
10	68.5	54,000							
12	65.5	54,000							
15	60.5	45,100	68.5	28,100					
20	51.5	23,700	62.5	28,100	69.0	20,100			
25	41.0	13,700	56.5	17,800	64.5	20,100	69.0	14,700	
30	27.0	7,900	49.5	11,800	59.5	14,200	65.5	14,700	
35			41.5	7,800	54.5	10,100	61.5	10,800	
40			32.0	5,100	49.0	7,300	57.5	8,000	
45			17.5	3,000	43.0	5,100	53.5	5,900	
50					36.0	3,500	48.5	4,200	
55					27.5	2,200	44.0	2,900	
Min.Bm. Ang./Cap.	0.0	5,400	0.0	2,500	24.5		38.5		
Radius (ft)	32.8		46.5		56.2		59.8		

Rated Lifting Capacities In Pounds Pick & Carry - Boom Centered Over Rear		Without Outrigger Boxes							
		On Tires-Creep				0 lb			
Load Radius (ft)	41.4 ft		55.0 ft		70.0 ft		85.0 ft		
	$\Delta^\circ$	Over Rear	$\Delta^\circ$	Over Rear	$\Delta^\circ$	Over Rear	$\Delta^\circ$	Over Rear	
10	68.5	51,900							
12	65.5	51,900							
15	60.5	32,200	68.5	21,000					
20	51.5	16,800	62.5	21,000	69.0	15,300			
25	41.0	9,100	56.0	13,000	64.0	15,300	69.0	11,100	
30	27.0	4,500	49.5	8,200	59.5	10,500	65.5	11,100	
35			41.5	5,000	54.5	7,200	61.5	7,900	
40			32.0	2,700	49.0	4,800	57.5	5,600	
45					43.0	3,100	53.0	3,800	
50							48.5	2,400	
Min.Bm. Ang./Cap.	13.0		30.5		38.0		46.5		
Radius (ft)	31.5		40.5		48.5		52.1		

Not for crane operations

**Rated Lifting Capacities In Pounds  
Stationary - 360°**

**Without Outrigger Boxes**



Load Radius (ft)	41.4 ft		55.0 ft		70.0 ft		80.0 ft	
	$\Delta^\circ$	360°	$\Delta^\circ$	360°	$\Delta^\circ$	360°	$\Delta^\circ$	360°
10	68.5	40,300						
12	65.5	28,100						
15	60.5	17,300	68.5	21,500				
20	51.5	8,100	62.5	11,900	68.5	14,200		
25	41.0	3,100	56.0	6,700	64.0	8,900	69.0	9,600
30			49.5	3,400	59.5	5,500	65.0	6,300
35					54.5	3,200	61.5	3,900
40							57.5	2,200
Min.Bm. Ang./Cap.	37.5	0	43.5	0	48.5	0	54.0	0
Radius (ft)	26.3		33.8		40.5		43.8	



**WARNING**

**Do Not Raise Boom Above 71° Boom Angle. Loss Of Backward Stability Will Occur Causing A Tipping Condition.**

For Sale/Lease Only

Not for crane operations



Rated Lifting Capacities In Pounds Stationary - Between Tire Tracks		41.4 ft		55.0 ft		70.0 ft		85.0 ft	
		$\angle$ °	Over Rear	$\angle$ °	Over Rear	$\angle$ °	Over Rear	$\angle$ °	Over Rear
10	68.5	60,500							
12	65.5	60,500							
15	60.5	48,800	68.5	33,900					
20	51.5	29,500	62.5	33,900	69.0	24,300			
25	41.0	17,900	56.5	22,100	64.5	24,300	69.5	18,000	
30	27.0	11,200	49.5	15,200	59.5	17,400	65.5	18,000	
35			41.5	10,600	54.5	12,900	61.5	13,600	
40			32.0	7,400	49.0	9,600	57.5	10,400	
45			17.5	5,100	43.0	7,200	53.5	7,900	
50					36.0	5,300	49.0	6,000	
55					27.5	3,900	44.0	4,500	
60					15.0	2,700	38.5	3,300	
65							32.5	2,300	
Min.Bm. Ang./Cap.	0.0	8,400	0.0	4,400	0.0	2,400	28.5		
Radius (ft)	32.8		46.5		61.5		67.6		

Rated Lifting Capacities In Pounds Pick & Carry - Boom Centered Over Rear		41.4 ft		55.0 ft		70.0 ft		85.0 ft	
		$\angle$ °	Over Rear	$\angle$ °	Over Rear	$\angle$ °	Over Rear	$\angle$ °	Over Rear
10	68.5	60,500							
12	65.5	60,500							
15	60.5	38,800	68.5	25,400					
20	51.5	21,100	62.5	25,400	69.0	18,500			
25	41.0	12,400	56.5	16,300	64.0	18,500	69.0	13,800	
30	27.0	7,100	49.5	10,800	59.5	13,100	65.5	13,800	
35			41.5	7,200	54.5	9,400	61.5	10,100	
40			32.0	4,600	49.0	6,700	57.5	7,400	
45					43.0	4,700	53.0	5,400	
50					36.0	3,200	48.5	3,900	
55							44.0	2,600	
Min.Bm. Ang./Cap.	0.0	4,800	17.5		29.5		41.0		
Radius (ft)	32.8		45.0		53.9		57.5		

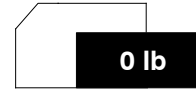
Not for crane operations

**Rated Lifting Capacities In Pounds  
Stationary - 360°**

**With Outrigger Boxes**



**On Tires-360°**



Load Radius (ft)	41.4 ft		55.0 ft		70.0 ft		80.0 ft	
	$\angle$ °	360°	$\angle$ °	360°	$\angle$ °	360°	$\angle$ °	360°
10	68.5	43,000	68.5	25,100	68.5	16,700	69.0	11,500
12	65.5	33,000						
15	60.5	21,000						
20	51.5	10,700	62.5	14,500	64.0	10,900	65.5	7,800
25	41.0	5,100	56.0	8,600	59.5	7,100	61.5	5,200
30			49.5	5,000	54.5	4,500	57.5	3,400
35			41.5	2,500	49.0	2,700	53.0	1,900
40								
45								
Min.Bm. Ang./Cap.	30.5	0	37.5	0	44.0	0	50.5	0
Radius (ft)	28.8		37.0		44.3		47.8	



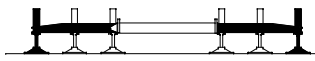
**WARNING**

**Do Not Raise Boom Above 71° Boom Angle. Loss Of Backward Stability Will Occur Causing A Tipping Condition.**

For Sale Use Only

Not for crane operations

**Rated Lifting Capacities  
In Pounds**



**Full**

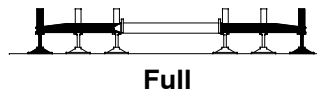


Load Radius (ft)	41.4 ft			55.0 ft			70.0 ft		
	$\angle$ °	360°	Over Front	$\angle$ °	360°	Over Front	$\angle$ °	360°	Over Front
10	69.0	240,600	240,600	74.5	77,300	77,300	77.5	51,000	51,000
12	66.0	208,500	208,500	72.5	77,300	77,300	76.5	51,000	51,000
15	61.0	166,700	166,700	69.0	77,300	77,300	74.0	51,000	51,000
20	52.0	123,200	123,200	63.0	77,300	77,300	69.5	51,000	51,000
25	41.5	79,400	80,700	57.0	77,300	77,300	65.0	51,000	51,000
30	27.0	51,500	52,400	49.5	57,100	58,000	60.0	51,000	51,000
35				42.0	41,700	42,400	55.0	44,400	45,100
40				32.5	31,800	32,400	49.5	34,600	35,100
45				17.5	24,900	25,400	43.5	27,700	28,200
50							36.5	22,600	23,100
55							28.0	18,700	19,100
60							15.0	15,700	16,100
Min.Bm. Ang./Cap.	0.0	41,700	42,500	0.0	23,300	23,700	0.0	13,900	13,900
Radius (ft)	32.8			46.5			61.5		

Load Radius (ft)	85.0 ft			100.0 ft			115.0 ft		
	$\angle$ °	360°	Over Front	$\angle$ °	360°	Over Front	$\angle$ °	360°	Over Front
15	76.5	51,200	51,200						
20	73.5	51,200	51,200	76.0	47,900	47,900			
25	70.0	51,200	51,200	73.5	47,900	47,900	76.0	48,100	48,100
30	66.5	51,200	51,200	70.5	43,600	43,600	73.5	44,400	44,400
35	62.5	45,200	45,900	67.5	39,300	39,300	71.0	40,100	40,100
40	58.5	35,100	35,700	64.0	35,600	35,600	68.5	35,200	35,700
45	54.0	28,400	28,900	60.5	28,800	29,300	65.5	28,400	28,900
50	49.5	23,400	23,800	57.0	23,800	24,200	62.5	23,400	23,800
55	44.5	19,500	19,900	53.5	19,900	20,300	59.0	19,600	19,900
60	39.0	16,600	16,900	49.5	17,000	17,200	56.0	16,700	17,100
65	33.0	14,100	14,400	45.5	14,600	14,900	53.0	14,300	14,600
70	25.5	12,000	12,300	41.0	12,600	12,800	49.5	12,300	12,500
75	13.5	10,300	10,500	36.0	10,800	11,100	46.0	10,600	10,800
80				30.0	9,300	9,600	42.0	9,200	9,400
85				23.0	8,100	8,300	38.0	7,900	8,100
90				12.5	7,000	7,200	33.5	6,800	7,000
95							28.0	5,800	6,000
100							21.5	5,000	5,100
105							11.5	4,200	4,400
Min.Bm. Ang./Cap.	0.0	9,900	10,100	0.0	6,700	6,900	0.0	4,000	4,200
Radius (ft)	76.5			91.5			106.5		

Not for crane operations

**Rated Lifting Capacities  
In Pounds**



0 lb

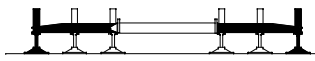


Load Radius (ft)	130.0 ft			145.0 ft		
	$\angle$ °	360°	Over Front	$\angle$ °	360°	Over Front
25	77.5	37,100	37,100			
30	75.5	37,100	37,100	77.5	32,800	32,800
35	73.5	36,000	36,000	75.5	32,800	32,800
40	71.5	32,700	32,700	74.0	32,800	32,800
45	69.0	28,100	28,600	71.5	27,300	27,800
50	66.0	23,100	23,500	69.5	22,300	22,800
55	63.5	19,300	19,700	67.0	18,500	18,900
60	61.0	16,500	16,800	64.5	15,800	16,100
65	58.0	14,000	14,300	62.0	13,400	13,700
70	55.5	12,000	12,300	60.0	11,400	11,600
75	52.5	10,300	10,600	57.5	9,700	10,000
80	49.5	8,900	9,200	55.0	8,300	8,500
85	46.0	7,700	7,900	52.0	7,100	7,300
90	43.0	6,600	6,800	49.5	6,000	6,200
95	39.5	5,700	5,900	46.5	5,100	5,300
100	35.5	4,800	5,000	43.5	4,200	4,400
105	31.0	4,100	4,200	40.5	3,500	3,700
110	26.0	3,400	3,500	37.0	2,800	3,000
115	20.0	2,800	2,900	33.5	2,200	2,400
120	10.5	2,200	2,400	29.5	1,700	1,800
Min.Bm. Ang./Cap.	0.0	2,100	2,300	25.0		
Radius (ft)		121.5			125.0	

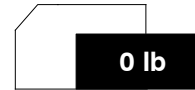
Load Radius (ft)	155.0 ft			162.0 ft		
	$\angle$ °	360°	Over Front	$\angle$ °	360°	Over Front
35	77.0	28,900	28,900	77.0	26,100	26,100
40	75.5	28,900	28,900	76.0	26,100	26,100
45	73.5	26,900	27,400	74.5	26,100	26,100
50	71.0	21,900	22,300	72.0	21,600	22,000
55	69.0	18,100	18,500	70.0	17,800	18,200
60	66.5	15,400	15,700	68.0	15,100	15,500
65	64.5	13,000	13,300	66.0	12,700	13,000
70	62.5	11,000	11,300	63.5	10,700	11,000
75	60.0	9,300	9,600	61.5	9,100	9,300
80	57.5	7,900	8,100	59.5	7,700	7,900
85	55.5	6,700	6,900	57.0	6,500	6,700
90	53.0	5,600	5,800	55.0	5,400	5,600
95	50.5	4,700	4,900	52.5	4,500	4,700
100	48.0	3,900	4,100	50.0	3,700	3,800
105	45.0	3,200	3,300	47.5	2,900	3,100
110	42.5	2,500	2,700	45.0	2,300	2,400
115	39.5	1,900	2,100	42.5	1,700	1,800
120	36.0	1,300	1,500			
Min.Bm. Ang./Cap.	34.5			39.5		
Radius (ft)		122.0			119.6	

Not for crane operations

**Rated Lifting Capacities  
In Pounds**



**Full**

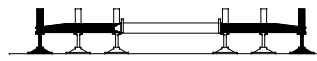


Load Radius (ft)	41.4 ft			55.0 ft			70.0 ft		
	$\Delta$ °	360°	Over Front	$\Delta$ °	360°	Over Front	$\Delta$ °	360°	Over Front
10	69.0	240,600	240,600	74.5	77,300	77,300	78.0	67,800	67,800
12	66.0	208,500	208,500	72.5	77,300	77,300	76.5	67,800	67,800
15	61.0	166,700	166,700	69.0	77,300	77,300	74.0	67,800	67,800
20	52.0	123,200	123,200	63.0	77,300	77,300	69.5	67,800	67,800
25	41.5	79,400	80,700	57.0	77,300	77,300	65.0	66,900	66,900
30	27.0	51,500	52,400	49.5	57,100	58,000	60.5	59,800	59,800
35				42.0	41,700	42,400	55.0	44,200	44,900
40				32.5	31,800	32,400	49.5	34,400	34,900
45				17.5	24,900	25,400	43.5	27,500	28,000
50							36.5	22,500	22,900
55							28.0	18,600	18,900
60							15.0	15,500	15,900
Min.Bm. Ang./Cap.	0.0	41,700	42,500	0.0	23,300	23,700	0.0	14,800	15,100
Radius (ft)	32.8			46.5			61.5		

Load Radius (ft)	85.0 ft			100.0 ft			115.0 ft		
	$\Delta$ °	360°	Over Front	$\Delta$ °	360°	Over Front	$\Delta$ °	360°	Over Front
15	77.0	68,100	68,100						
20	74.0	66,100	66,100	76.5	60,000	60,000			
25	70.0	58,200	58,200	73.5	53,400	53,400	76.5	49,300	49,300
30	66.5	51,700	51,700	70.5	47,700	47,700	73.5	44,100	44,100
35	62.5	45,000	45,700	67.5	43,100	43,100	71.0	39,800	39,800
40	58.5	35,000	35,600	64.0	35,100	35,700	68.5	34,700	35,300
45	54.0	28,200	28,700	60.5	28,400	28,900	65.5	28,000	28,500
50	49.5	23,200	23,600	57.0	23,300	23,800	62.5	23,000	23,500
55	44.5	19,400	19,800	53.5	19,500	19,900	59.5	19,200	19,600
60	39.0	16,400	16,800	49.5	16,600	17,000	56.0	16,400	16,700
65	33.0	13,900	14,200	45.5	14,200	14,500	53.0	13,900	14,200
70	25.5	11,900	12,200	41.0	12,200	12,500	49.5	11,900	12,200
75	13.5	10,200	10,400	36.0	10,400	10,700	46.0	10,300	10,500
80				30.5	9,000	9,200	42.0	8,800	9,100
85				23.0	7,700	7,900	38.0	7,600	7,800
90				12.5	6,600	6,800	33.5	6,500	6,700
95							28.0	5,500	5,700
100							21.5	4,700	4,800
105							11.5	3,900	4,100
Min.Bm. Ang./Cap.	0.0	9,700	10,000	0.0	6,300	6,600	0.0	3,700	3,900
Radius (ft)	76.5			91.5			106.5		

Not for crane operations

**Rated Lifting Capacities  
In Pounds**



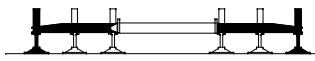
**Full**



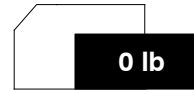
Load Radius (ft)	130.0 ft			140.0 ft			150.0 ft		
	$\Delta^\circ$	360°	Over Front	$\Delta^\circ$	360°	Over Front	$\Delta^\circ$	360°	Over Front
25	78.0	45,100	45,100						
30	76.0	43,200	43,200	77.5	37,200	37,200	78.0	31,900	31,900
35	74.0	39,100	39,100	75.5	37,200	37,200	76.5	31,900	31,900
40	71.5	34,300	34,700	73.5	33,700	34,300	75.0	31,900	31,900
45	69.0	27,400	27,900	71.0	26,900	27,400	72.5	26,500	27,000
50	66.5	22,400	22,900	68.5	21,900	22,400	70.5	21,500	21,900
55	63.5	18,600	19,000	66.0	18,200	18,500	68.0	17,700	18,100
60	61.0	15,800	16,200	63.5	15,400	15,700	66.0	15,000	15,300
65	58.0	13,400	13,700	61.0	13,000	13,300	63.5	12,600	12,900
70	55.5	11,400	11,700	58.5	11,000	11,300	61.0	10,600	10,900
75	52.5	9,800	10,000	56.0	9,300	9,600	59.0	9,000	9,200
80	49.5	8,300	8,600	53.5	7,900	8,200	56.5	7,600	7,800
85	46.5	7,100	7,300	50.5	6,700	6,900	54.0	6,400	6,600
90	43.0	6,100	6,300	47.5	5,700	5,900	51.5	5,300	5,500
95	39.5	5,100	5,300	44.5	4,700	4,900	49.0	4,400	4,600
100	35.5	4,300	4,400	41.5	3,900	4,100	46.0	3,600	3,800
105	31.5	3,500	3,700	38.0	3,200	3,300	43.0	2,800	3,000
110	26.5	2,800	3,000	34.5	2,500	2,600	40.0	2,200	2,300
115	20.5	2,200	2,400	30.5	1,900	2,000	37.0	1,600	1,700
120	11.0	1,700	1,800	25.5	1,300	1,500			
Min.Bm. Ang./Cap.	0.0	1,600	1,700	25.0			34.0		
Radius (ft)	121.5			122.0			118.5		

Not for crane operations

**Rated Lifting Capacities  
In Pounds**



**Full**

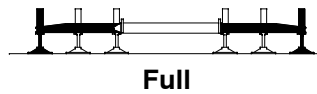


Load Radius (ft)	41.4 ft			55.0 ft			70.0 ft			85.0 ft		
	$\Delta$ °	360°	Over Front	$\Delta$ °	360°	Over Front	$\Delta$ °	360°	Over Front	$\Delta$ °	360°	Over Front
10	69.0	240,600	240,600	74.5	73,800	73,800	78.0	68,700	68,700			
12	66.0	208,500	208,500	72.5	73,800	73,800	76.5	68,700	68,700			
15	61.0	166,700	166,700	69.0	73,800	73,800	74.0	68,700	68,700	77.0	69,100	69,100
20	52.0	123,200	123,200	63.0	73,800	73,800	70.0	68,700	68,700	74.0	69,100	69,100
25	41.5	79,400	80,700	57.0	73,800	73,800	65.0	68,700	68,700	70.5	69,100	69,100
30	27.0	51,500	52,400	49.5	57,000	58,000	60.0	58,600	59,600	66.5	58,500	59,500
35				42.0	41,700	42,400	55.0	43,100	43,800	62.5	43,000	43,700
40				32.5	31,700	32,300	49.5	33,300	33,900	58.0	33,300	33,900
45				17.5	24,900	25,400	43.5	26,600	27,100	54.0	26,500	27,000
50							36.5	21,500	22,000	49.5	21,600	22,000
55							28.0	17,700	18,100	44.5	17,800	18,200
60							15.0	14,700	15,000	39.0	14,900	15,300
65										33.0	12,500	12,800
70										25.5	10,400	10,700
75										13.5	8,700	9,000
Min.Bm. Ang./Cap.	0.0	41,700	42,500	0.0	23,200	23,700	0.0	13,900	14,200	0.0	8,300	8,500
Radius (ft)	32.8			46.5			61.5			76.5		

Load Radius (ft)	100.0 ft			115.0 ft			124.7 ft		
	$\Delta$ °	360°	Over Front	$\Delta$ °	360°	Over Front	$\Delta$ °	360°	Over Front
20	76.5	61,000	61,000						
25	73.5	59,400	59,400	76.5	55,300	55,300	78.0	51,000	51,000
30	70.5	52,800	52,800	74.0	49,400	49,400	75.5	45,400	45,400
35	67.5	42,700	43,400	71.5	41,800	42,500	73.5	40,600	40,600
40	64.0	33,000	33,600	68.5	32,200	32,800	70.5	31,800	32,400
45	60.5	26,300	26,800	65.5	25,500	26,000	68.0	25,100	25,600
50	57.0	21,300	21,800	62.5	20,600	21,000	65.0	20,200	20,600
55	53.0	17,600	18,000	59.5	17,000	17,200	62.0	16,700	17,100
60	49.5	14,800	15,100	56.0	14,100	14,400	59.5	13,800	14,100
65	45.0	12,400	12,700	53.0	11,700	12,000	56.5	11,400	11,700
70	41.0	10,400	10,700	49.5	9,800	10,100	53.5	9,400	9,700
75	36.0	8,700	8,900	46.0	8,100	8,400	50.5	7,800	8,100
80	30.0	7,200	7,500	42.0	6,700	7,000	47.5	6,400	6,700
85	23.0	6,000	6,200	38.0	5,500	5,700	44.0	5,200	5,500
90	12.5	4,900	5,100	33.5	4,400	4,600	40.0	4,200	4,400
95				28.0	3,500	3,700	36.5	3,200	3,400
100				21.5	2,700	2,800	32.0	2,400	2,600
105				11.5	1,900	2,100	27.0	1,700	1,800
Min.Bm. Ang./Cap.	0.0	4,600	4,800	0.0	1,700	1,900	23.5		
Radius (ft)	91.5			106.5			107.7		

Not for crane operations

**Rated Lifting Capacities  
In Pounds**



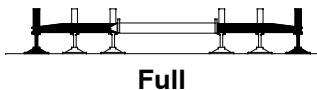
Load Radius (ft)	41.4 ft			55.0 ft			70.0 ft		
	$\Delta^\circ$	360°	Over Front	$\Delta^\circ$	360°	Over Front	$\Delta^\circ$	360°	Over Front
10	69.0	240,600	240,600	74.5	73,800	73,800	78.0	68,700	68,700
12	66.0	208,500	208,500	72.5	73,800	73,800	76.5	68,700	68,700
15	61.0	166,700	166,700	69.0	73,800	73,800	74.0	68,700	68,700
20	52.0	123,200	123,200	63.0	73,800	73,800	70.0	68,700	68,700
25	41.5	79,400	80,700	57.0	73,800	73,800	65.0	68,700	68,700
30	27.0	51,500	52,400	49.5	57,000	58,000	60.0	58,600	59,600
35				42.0	41,700	42,400	55.0	43,100	43,800
40				32.5	31,700	32,300	49.5	33,300	33,900
45				17.5	24,900	25,400	43.5	26,600	27,100
50							36.5	21,500	22,000
55							28.0	17,700	18,100
60							15.0	14,700	15,000
Min.Bm. Ang./Cap.	0.0	41,700	42,500	0.0	23,200	23,700	0.0	13,900	14,200
Radius (ft)	32.8			46.5			61.5		

Load Radius (ft)	85.0 ft			100.0 ft			112.0 ft		
	$\Delta^\circ$	360°	Over Front	$\Delta^\circ$	360°	Over Front	$\Delta^\circ$	360°	Over Front
15	77.0	64,900	64,900						
20	74.0	64,900	64,900	76.5	65,200	65,200	78.5	56,400	56,400
25	70.5	64,900	64,900	74.0	65,200	65,200	76.0	55,500	55,500
30	66.5	58,400	59,300	71.0	57,200	58,100	73.5	48,900	48,900
35	62.5	42,900	43,600	67.5	41,900	42,600	70.5	41,200	41,900
40	58.0	33,200	33,800	64.0	32,200	32,800	67.5	31,700	32,300
45	54.0	26,400	26,900	60.5	25,500	26,000	64.5	25,000	25,500
50	49.5	21,500	21,900	57.0	20,600	21,100	61.5	20,100	20,600
55	44.5	17,700	18,100	53.5	17,100	17,300	58.0	16,600	17,000
60	39.0	14,900	15,200	49.5	14,100	14,500	55.0	13,700	14,000
65	33.0	12,400	12,700	45.5	11,800	12,100	51.5	11,300	11,600
70	25.5	10,300	10,600	41.0	9,800	10,100	48.0	9,400	9,600
75	13.5	8,600	8,900	36.0	8,100	8,400	44.5	7,700	8,000
80				30.5	6,700	6,900	40.5	6,300	6,600
85				23.5	5,400	5,600	36.0	5,100	5,300
90				12.5	4,300	4,600	31.0	4,000	4,200
95							25.0	3,100	3,300
100							16.5	2,200	2,400
Min.Bm. Ang./Cap.	0.0	8,200	8,500	0.0	4,100	4,300	0.0	1,700	1,900
Radius (ft)	76.5			91.5			103.5		

Not for crane operations



**Rated Lifting Capacities  
In Pounds**



Load Radius (ft)	41.4 ft			55.5 ft		
	$\Delta^\circ$	360°	Over Front	$\Delta^\circ$	360°	Over Front
10	69.0	240,600	240,600	74.5	157,000	157,000
12	66.0	208,500	208,500	72.5	157,000	157,000
15	61.0	166,700	166,700	69.5	157,000	157,000
20	52.0	123,200	123,200	63.5	125,900	125,900
25	41.5	79,400	80,700	57.0	83,600	84,900
30	27.0	51,500	52,400	50.0	55,600	56,500
35				42.5	40,400	41,100
40				33.0	30,600	31,200
45				19.5	23,800	24,300
Min.Bm. Ang./Cap.	0.0	41,700	42,500	0.0	21,600	22,100
Radius (ft)		32.8			47.0	

Load Radius (ft)	70.4 ft			86.2 ft		
	$\Delta^\circ$	360°	Over Front	$\Delta^\circ$	360°	Over Front
10	78.5	151,100	151,100			
12	77.0	150,200	150,200			
15	74.5	135,800	135,800	78.0	105,500	105,500
20	70.0	116,900	116,900	74.5	89,800	89,800
25	65.5	84,200	85,600	71.0	77,900	77,900
30	60.5	56,200	57,100	67.0	55,200	56,100
35	55.0	40,900	41,700	63.0	40,100	40,800
40	50.0	31,400	31,900	59.0	30,600	31,200
45	44.0	24,700	25,200	54.5	24,000	24,500
50	37.0	19,800	20,200	50.0	19,200	19,600
55	29.0	16,000	16,400	45.5	15,600	16,000
60	16.5	13,000	13,300	40.0	12,700	13,000
65				34.5	10,300	10,600
70				27.0	8,300	8,600
75				17.0	6,600	6,900
Min.Bm. Ang./Cap.	0.0	12,000	12,400	0.0	5,800	6,100
Radius (ft)		61.9			77.7	

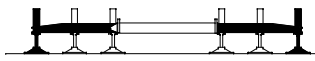
Not for crane operations

**This Page Left Blank  
Intentionally**

For sales use only

Not for crane operations

**Rated Lifting Capacities  
In Pounds**



**Full**

**14,000 lb**

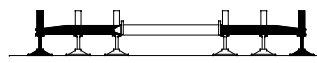


Load Radius (ft)	41.4 ft			55.0 ft			70.0 ft		
	$\Delta$ °	360°	Over Front	$\Delta$ °	360°	Over Front	$\Delta$ °	360°	Over Front
10	69.0	240,600	240,600	74.5	77,300	77,300	77.5	51,000	51,000
12	66.0	218,000	218,000	72.5	77,300	77,300	76.5	51,000	51,000
15	61.0	176,300	176,300	69.0	77,300	77,300	74.0	51,000	51,000
20	52.0	130,600	130,600	63.0	77,300	77,300	69.5	51,000	51,000
25	41.5	102,300	102,300	57.0	77,300	77,300	65.0	51,000	51,000
30	27.0	69,300	70,200	50.0	74,800	75,700	60.0	51,000	51,000
35				42.0	55,400	56,100	55.0	49,600	49,600
40				32.5	42,900	43,500	50.0	45,100	45,100
45				18.0	34,300	34,800	43.5	37,100	37,600
50							37.0	30,800	31,300
55							28.5	25,900	26,300
60							15.5	22,100	22,500
Min.Bm. Ang./Cap.	0.0	56,900	57,700	0.0	26,500	26,500	0.0	13,900	13,900
Radius (ft)	32.8			46.5			61.5		

Load Radius (ft)	85.0 ft			100.0 ft			115.0 ft		
	$\Delta$ °	360°	Over Front	$\Delta$ °	360°	Over Front	$\Delta$ °	360°	Over Front
15	76.5	51,200	51,200						
20	73.5	51,200	51,200	76.0	47,900	47,900			
25	70.0	51,200	51,200	73.5	47,900	47,900	76.0	48,100	48,100
30	66.5	51,200	51,200	70.5	43,600	43,600	73.5	44,400	44,400
35	62.5	46,700	46,700	67.5	39,300	39,300	71.0	40,100	40,100
40	58.5	42,300	42,300	64.0	35,600	35,600	68.5	36,500	36,500
45	54.5	37,700	38,200	61.0	32,500	32,500	65.5	33,300	33,300
50	50.0	31,500	32,000	57.5	29,800	29,800	63.0	30,600	30,600
55	45.0	26,700	27,100	54.0	27,100	27,500	60.0	26,800	27,200
60	39.5	22,900	23,300	50.0	23,300	23,700	56.5	23,000	23,300
65	33.5	19,800	20,100	45.5	20,300	20,600	53.5	19,900	20,200
70	25.5	17,300	17,500	41.0	17,800	18,000	50.0	17,400	17,700
75	14.0	15,200	15,400	36.5	15,700	16,000	46.5	15,500	15,700
80				30.5	13,900	14,100	42.5	13,700	13,900
85				23.5	12,300	12,500	38.5	12,100	12,300
90				12.5	10,900	11,100	34.0	10,700	10,900
95							28.5	9,500	9,700
100							22.0	8,400	8,600
105							12.0	7,500	7,700
Min.Bm. Ang./Cap.	0.0	11,800	11,800	0.0	9,400	9,400	0.0	7,300	7,500
Radius (ft)	76.5			91.5			106.5		

Not for crane operations

**Rated Lifting Capacities  
In Pounds**



**Full**

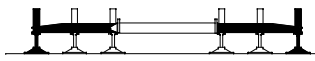
**14,000 lb**



Load Radius (ft)	130.0 ft			145.0 ft		
	$\Delta^\circ$	360°	Over Front	$\Delta^\circ$	360°	Over Front
25	77.5	37,100	37,100			
30	75.5	37,100	37,100	77.5	32,800	32,800
35	73.5	36,000	36,000	75.5	32,800	32,800
40	71.5	32,700	32,700	74.0	32,800	32,800
45	69.0	29,800	29,800	72.0	31,500	31,500
50	66.5	27,300	27,300	70.0	28,900	28,900
55	64.0	25,200	25,200	68.0	25,700	26,100
60	61.5	22,700	23,100	65.5	22,000	22,300
65	58.5	19,700	20,000	63.0	19,000	19,300
70	56.0	17,200	17,400	60.5	16,700	17,000
75	53.0	15,200	15,500	58.0	14,600	14,800
80	50.0	13,400	13,700	55.5	12,800	13,000
85	47.0	11,900	12,100	53.0	11,300	11,500
90	43.5	10,600	10,800	50.0	9,900	10,100
95	40.0	9,400	9,600	47.5	8,800	9,000
100	36.0	8,300	8,500	44.5	7,700	7,900
105	31.5	7,300	7,500	41.0	6,800	7,000
110	26.5	6,500	6,700	38.0	5,900	6,100
115	20.5	5,700	5,900	34.0	5,200	5,300
120	11.0	5,100	5,200	30.0	4,500	4,600
125				25.5	3,900	4,000
130				19.5	3,300	3,400
135				10.5	2,800	2,900
Min.Bm. Ang./Cap.	0.0	4,900	5,100	0.0	2,700	2,800
Radius (ft)		121.5			136.5	

Load Radius (ft)	155.0 ft			162.0 ft		
	$\Delta^\circ$	360°	Over Front	$\Delta^\circ$	360°	Over Front
35	77.0	28,900	28,900	77.0	26,100	26,100
40	75.5	28,900	28,900	76.0	26,100	26,100
45	73.5	28,900	28,900	74.5	26,100	26,100
50	72.0	27,200	27,200	72.5	26,100	26,100
55	70.0	25,100	25,100	71.0	24,100	24,100
60	67.5	21,600	21,900	69.0	21,300	21,600
65	65.5	18,600	18,900	66.5	18,300	18,600
70	63.0	16,300	16,600	64.5	16,000	16,300
75	61.0	14,200	14,500	62.5	14,000	14,200
80	58.5	12,400	12,700	60.0	12,200	12,400
85	56.0	10,900	11,100	58.0	10,700	10,900
90	53.5	9,600	9,800	55.5	9,300	9,500
95	51.0	8,400	8,600	53.5	8,200	8,400
100	48.5	7,400	7,500	51.0	7,100	7,300
105	46.0	6,400	6,600	48.5	6,200	6,400
110	43.0	5,600	5,800	46.0	5,400	5,600
115	40.0	4,900	5,000	43.0	4,700	4,800
120	36.5	4,200	4,300	40.0	4,000	4,100
125	33.0	3,500	3,700	37.0	3,300	3,500
130	29.5	3,000	3,100	34.0	2,800	2,900
135	24.5	2,500	2,600	30.0	2,300	2,400
140	19.0	2,000	2,100	26.0	1,800	1,900
145	10.5	1,600	1,700	21.0	1,300	1,500
Min.Bm. Ang./Cap.	0.0	1,500	1,600	18.0		
Radius (ft)		146.5			147.5	

**Rated Lifting Capacities  
In Pounds**



**Full**

**14,000 lb**

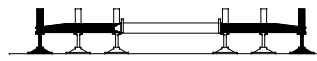


Load Radius (ft)	41.4 ft			55.0 ft			70.0 ft		
	$\Delta$ °	360°	Over Front	$\Delta$ °	360°	Over Front	$\Delta$ °	360°	Over Front
10	69.0	240,600	240,600	74.5	77,300	77,300	78.0	67,800	67,800
12	66.0	218,000	218,000	72.5	77,300	77,300	76.5	67,800	67,800
15	61.0	176,300	176,300	69.0	77,300	77,300	74.0	67,800	67,800
20	52.0	130,600	130,600	63.0	77,300	77,300	69.5	67,800	67,800
25	41.5	102,300	102,300	57.0	77,300	77,300	65.0	66,900	66,900
30	27.0	69,300	70,200	50.0	74,800	75,700	60.5	59,800	59,800
35				42.0	55,400	56,100	55.5	54,000	54,000
40				32.5	42,900	43,500	50.0	45,500	46,100
45				18.0	34,300	34,800	43.5	36,900	37,400
50							37.0	30,600	31,100
55							28.5	25,800	26,100
60							15.5	21,900	22,300
Min.Bm. Ang./Cap.	0.0	56,900	57,700	0.0	26,500	26,500	0.0	15,300	15,300
Radius (ft)	32.8			46.5			61.5		

Load Radius (ft)	85.0 ft			100.0 ft			115.0 ft		
	$\Delta$ °	360°	Over Front	$\Delta$ °	360°	Over Front	$\Delta$ °	360°	Over Front
15	77.0	68,100	68,100						
20	74.0	66,100	66,100	76.5	60,000	60,000			
25	70.0	58,200	58,200	73.5	53,400	53,400	76.5	49,300	49,300
30	66.5	51,700	51,700	70.5	47,700	47,700	73.5	44,100	44,100
35	62.5	46,400	46,400	67.5	43,100	43,100	71.0	39,800	39,800
40	58.5	42,100	42,100	64.5	39,300	39,300	68.5	36,100	36,100
45	54.5	37,600	38,100	61.0	36,000	36,000	65.5	33,000	33,000
50	50.0	31,400	31,800	57.5	31,500	31,900	63.0	30,300	30,300
55	45.0	26,600	27,000	54.0	26,700	27,100	60.0	26,400	26,800
60	39.5	22,800	23,100	50.0	22,900	23,300	56.5	22,600	23,000
65	33.5	19,700	20,000	45.5	19,900	20,200	53.5	19,600	19,900
70	25.5	17,200	17,400	41.0	17,400	17,700	50.0	17,200	17,400
75	14.0	15,000	15,300	36.5	15,300	15,600	46.5	15,100	15,400
80				30.5	13,500	13,700	42.5	13,400	13,600
85				23.5	11,900	12,100	38.5	11,800	12,000
90				12.5	10,500	10,800	34.0	10,400	10,600
95							28.5	9,200	9,400
100							22.0	8,100	8,300
105							12.0	7,200	7,400
Min.Bm. Ang./Cap.	0.0	12,900	12,900	0.0	10,200	10,400	0.0	7,000	7,100
Radius (ft)	76.5			91.5			106.5		

Not for crane operations

**Rated Lifting Capacities  
In Pounds**



**Full**

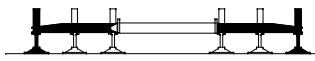
**14,000 lb**



Load Radius (ft)	130.0 ft			140.0 ft			150.0 ft		
	$\Delta$ °	360°	Over Front	$\Delta$ °	360°	Over Front	$\Delta$ °	360°	Over Front
25	78.0	45,100	45,100						
30	76.0	43,200	43,200	77.5	37,200	37,200	78.0	31,900	31,900
35	74.0	39,100	39,100	75.5	37,200	37,200	76.5	31,900	31,900
40	71.5	35,700	35,700	73.5	34,900	34,900	75.0	31,900	31,900
45	69.5	32,700	32,700	71.5	32,000	32,000	73.0	30,000	30,000
50	67.0	30,100	30,100	69.5	29,400	29,400	71.0	27,500	27,500
55	64.5	25,800	26,200	67.0	25,400	25,700	69.0	24,900	25,300
60	61.5	22,100	22,400	64.5	21,600	22,000	66.5	21,200	21,600
65	59.0	19,100	19,400	62.0	18,600	18,900	64.5	18,200	18,500
70	56.0	16,700	17,000	59.5	16,300	16,600	62.0	15,900	16,200
75	53.0	14,600	14,900	56.5	14,200	14,500	59.5	13,900	14,100
80	50.0	12,900	13,100	54.0	12,400	12,700	57.0	12,100	12,300
85	47.0	11,300	11,500	51.0	10,900	11,100	54.5	10,600	10,800
90	43.5	10,000	10,200	48.5	9,600	9,800	52.0	9,200	9,400
95	40.0	8,800	9,000	45.5	8,400	8,600	49.5	8,100	8,300
100	36.0	7,700	7,900	42.0	7,400	7,600	46.5	7,000	7,200
105	32.0	6,800	7,000	38.5	6,400	6,600	44.0	6,100	6,300
110	27.0	6,000	6,100	35.0	5,600	5,800	40.5	5,300	5,500
115	20.5	5,200	5,400	31.0	4,800	5,000	37.5	4,500	4,700
120	11.0	4,500	4,700	26.0	4,200	4,300	34.0	3,900	4,000
125				20.0	3,500	3,700	30.0	3,200	3,400
130				11.0	3,000	3,100	25.0	2,700	2,800
135							19.5	2,100	2,300
140							10.5	1,700	1,800
Min.Bm. Ang./Cap.	0.0	4,400	4,500	0.0	2,900	3,000	0.0	1,600	1,700
Radius (ft)		121.5			131.5			141.5	

Not for crane operations

**Rated Lifting Capacities  
In Pounds**



**14,000 lb**



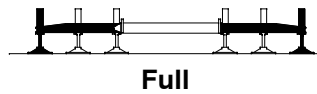
**Full**

Load Radius (ft)	41.4 ft			55.0 ft			70.0 ft			85.0 ft		
	$\angle$ °	360°	Over Front	$\angle$ °	360°	Over Front	$\angle$ °	360°	Over Front	$\angle$ °	360°	Over Front
10	69.0	240,600	240,600	74.5	73,800	73,800	78.0	68,700	68,700			
12	66.0	218,000	218,000	72.5	73,800	73,800	76.5	68,700	68,700			
15	61.0	176,300	176,300	69.0	73,800	73,800	74.0	68,700	68,700	77.0	69,100	69,100
20	52.0	130,600	130,600	63.0	73,800	73,800	70.0	68,700	68,700	74.0	69,100	69,100
25	41.5	102,300	102,300	57.0	73,800	73,800	65.5	68,700	68,700	70.5	69,100	69,100
30	27.0	69,300	70,200	50.0	73,800	73,800	60.5	68,700	68,700	66.5	69,100	69,100
35				42.0	55,300	56,100	55.0	56,700	57,500	62.5	56,600	57,400
40				32.5	42,900	43,500	49.5	44,500	45,100	58.5	44,400	45,000
45				18.0	34,300	34,800	43.5	35,900	36,400	54.0	35,900	36,400
50							36.5	29,700	30,200	49.5	29,800	30,200
55							28.5	24,900	25,300	44.5	25,000	25,400
60							15.5	21,100	21,400	39.5	21,300	21,600
65										33.0	18,200	18,500
70										25.5	15,700	16,000
75										13.5	13,600	13,900
Min.Bm. Ang./Cap.	0.0	56,900	57,700	0.0	26,900	26,900	0.0	20,100	20,500	0.0	13,100	13,300
Radius (ft)	32.8			46.5			61.5			76.5		

Load Radius (ft)	100.0 ft			115.0 ft			124.7 ft		
	$\angle$ °	360°	Over Front	$\angle$ °	360°	Over Front	$\angle$ °	360°	Over Front
20	76.5	61,000	61,000						
25	73.5	59,400	59,400	76.5	55,300	55,300	78.0	51,000	51,000
30	70.5	52,800	52,800	74.0	49,400	49,400	75.5	45,400	45,400
35	67.5	47,500	47,500	71.5	44,400	44,400	73.5	40,600	40,600
40	64.5	43,000	43,000	68.5	40,200	40,200	71.0	36,500	36,500
45	61.0	35,600	36,100	66.0	34,800	35,300	68.5	32,900	32,900
50	57.5	29,500	29,900	63.0	28,800	29,200	65.5	28,400	28,800
55	53.5	24,800	25,200	60.0	24,100	24,500	63.0	23,700	24,100
60	49.5	21,100	21,400	56.5	20,400	20,700	60.0	20,000	20,400
65	45.5	18,100	18,400	53.5	17,400	17,700	57.0	17,200	17,300
70	41.0	15,700	16,000	50.0	15,100	15,400	54.0	14,800	15,000
75	36.0	13,600	13,800	46.5	13,000	13,300	51.0	12,700	13,000
80	30.5	11,800	12,000	42.5	11,300	11,500	48.0	10,900	11,200
85	23.5	10,200	10,400	38.5	9,700	9,900	44.5	9,400	9,700
90	12.5	8,800	9,100	34.0	8,400	8,600	40.5	8,100	8,300
95				28.5	7,200	7,400	36.5	6,900	7,100
100				22.0	6,100	6,300	32.5	5,900	6,100
105				12.0	5,200	5,400	27.0	5,000	5,100
110							21.0	4,100	4,300
115							10.5	3,400	3,500
Min.Bm. Ang./Cap.	0.0	8,500	8,700	0.0	5,000	5,100	0.0	3,200	3,400
Radius (ft)	91.5			106.5			116.2		

Not for crane operations

**Rated Lifting Capacities  
In Pounds**



**14,000 lb**



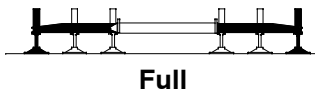
Load Radius (ft)	41.4 ft			55.0 ft			70.0 ft		
	$\Delta^\circ$	360°	Over Front	$\Delta^\circ$	360°	Over Front	$\Delta^\circ$	360°	Over Front
10	69.0	240,600	240,600	74.5	73,800	73,800	78.0	68,700	68,700
12	66.0	218,000	218,000	72.5	73,800	73,800	76.5	68,700	68,700
15	61.0	176,300	176,300	69.0	73,800	73,800	74.0	68,700	68,700
20	52.0	130,600	130,600	63.0	73,800	73,800	70.0	68,700	68,700
25	41.5	102,300	102,300	57.0	73,800	73,800	65.5	68,700	68,700
30	27.0	69,300	70,200	50.0	73,800	73,800	60.5	68,700	68,700
35				42.0	55,300	56,100	55.0	56,700	57,500
40				32.5	42,900	43,500	49.5	44,500	45,100
45				18.0	34,300	34,800	43.5	35,900	36,400
50							36.5	29,700	30,200
55							28.5	24,900	25,300
60							15.5	21,100	21,400
Min.Bm. Ang./Cap.	0.0	56,900	57,700	0.0	26,900	26,900	0.0	20,100	20,500
Radius (ft)	32.8			46.5			61.5		

Load Radius (ft)	85.0 ft			100.0 ft			112.0 ft		
	$\Delta^\circ$	360°	Over Front	$\Delta^\circ$	360°	Over Front	$\Delta^\circ$	360°	Over Front
15	77.0	64,900	64,900						
20	74.0	64,900	64,900	76.5	65,200	65,200	78.5	56,400	56,400
25	70.5	64,900	64,900	74.0	65,200	65,200	76.0	55,500	55,500
30	66.5	64,900	64,900	71.0	63,900	63,900	73.5	48,900	48,900
35	62.5	56,500	57,300	68.0	55,500	56,200	70.5	43,400	43,400
40	58.5	44,300	44,900	64.5	43,300	43,900	68.0	39,000	39,000
45	54.0	35,800	36,300	61.0	34,800	35,300	65.0	34,500	34,800
50	49.5	29,700	30,100	57.5	28,800	29,300	62.0	28,300	28,700
55	44.5	24,900	25,300	53.5	24,100	24,500	58.5	23,600	24,000
60	39.5	21,200	21,500	49.5	20,400	20,800	55.5	19,900	20,300
65	33.0	18,100	18,400	45.5	17,400	17,800	52.0	17,100	17,300
70	25.5	15,700	15,900	41.0	15,100	15,400	48.5	14,700	14,900
75	13.5	13,500	13,800	36.0	13,000	13,200	44.5	12,600	12,900
80				30.5	11,200	11,400	40.5	10,800	11,100
85				23.5	9,600	9,800	36.0	9,300	9,500
90				12.5	8,300	8,500	31.0	7,900	8,200
95							25.0	6,800	7,000
100							17.0	5,700	5,900
Min.Bm. Ang./Cap.	0.0	13,000	13,200	0.0	7,900	8,100	0.0	5,100	5,300
Radius (ft)	76.5			91.5			103.5		

Not for crane operations



**Rated Lifting Capacities  
In Pounds**



**14,000 lb**

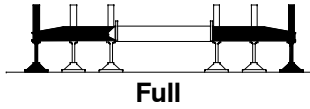


Load Radius (ft)	41.4 ft			55.5 ft		
	$\Delta^\circ$	360°	Over Front	$\Delta^\circ$	360°	Over Front
10	69.0	240,600	240,600	74.5	157,000	157,000
12	66.0	218,000	218,000	72.5	157,000	157,000
15	61.0	176,300	176,300	69.5	157,000	157,000
20	52.0	130,600	130,600	63.5	133,300	133,300
25	41.5	102,300	102,300	57.0	105,000	105,000
30	27.0	69,300	70,200	50.5	73,300	74,300
35				42.5	54,100	54,800
40				33.5	41,800	42,300
45				19.5	33,200	33,700
Min.Bm. Ang./Cap.	0.0	56,900	57,700	0.0	30,500	31,000
Radius (ft)		32.8			47.0	

Load Radius (ft)	70.4 ft			86.2 ft		
	$\Delta^\circ$	360°	Over Front	$\Delta^\circ$	360°	Over Front
10	78.5	151,100	151,100			
12	77.0	150,200	150,200			
15	74.5	135,800	135,800	78.0	105,500	105,500
20	70.0	116,900	116,900	74.5	89,800	89,800
25	65.5	102,400	102,400	71.0	77,900	77,900
30	60.5	73,900	74,800	67.0	68,500	68,500
35	55.5	54,600	55,300	63.5	53,700	54,400
40	50.0	42,500	43,100	59.0	41,700	42,200
45	44.0	34,200	34,700	55.0	33,400	33,900
50	37.0	28,000	28,400	50.5	27,300	27,800
55	29.0	23,200	23,500	45.5	22,700	23,100
60	17.0	19,400	19,700	40.5	19,000	19,400
65				34.5	16,100	16,400
70				27.5	13,600	13,900
75				17.5	11,500	11,700
Min.Bm. Ang./Cap.	0.0	18,200	18,500	0.0	10,500	10,700
Radius (ft)		61.9			77.7	

Not for crane operations

**Rated Lifting Capacities  
In Pounds**



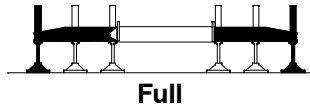
**14,000 lb**



Boom Length (ft)	41.4	55.0	70.0	85.0	100.0	115.0	130.0	145.0	155.0	162.0									
Load Radius (ft)	<p><b>10.0 ft Offset Fly</b></p>																		
10	51,800	51,800																	
12	47,300	51,800	48,600																
15	46,400	46,800	48,600	48,600															
20	45,200	45,700	45,200	44,000	45,100														
25	44,600	44,800	44,500	43,400	41,200	38,300	28,900												
30	44,600	44,400	43,900	43,000	39,200	38,300	28,900	25,600	22,400										
35	44,600	44,300	41,300	41,300	35,200	36,400	28,900	25,600	22,400										
40	42,500	44,300	37,400	37,400	32,200	33,200	28,900	25,600	22,400	20,000									
45		36,300	34,400	34,400	29,300	30,300	27,300	25,600	22,400	20,000									
50		30,100	31,500	31,600	26,800	27,800	24,900	25,600	22,400	20,000									
55		25,300	26,700	26,900	24,700	25,600	22,900	24,200	22,400	20,000									
60			22,900	23,100	22,900	22,800	21,100	21,600	21,200	20,000									
65			19,800	20,000	20,100	19,700	19,300	18,600	18,100	17,900									
70			17,400	17,500	17,600	17,200	17,000	16,300	15,900	15,600									
75				15,500	15,600	15,200	14,900	14,200	13,800	13,500									
80				13,700	13,800	13,400	13,100	12,400	12,000	11,700									
85				12,100	12,200	11,800	11,500	10,800	10,400	10,200									
90					10,900	10,500	10,200	9,500	9,100	8,900									
95					9,700	9,300	9,000	8,300	7,900	7,700									
100					8,700	8,200	7,900	7,300	6,900	6,600									
105						7,300	7,000	6,300	6,000	5,700									
110						6,500	6,200	5,500	5,100	4,900									
115						5,700	5,400	4,800	4,400	4,100									
120							4,700	4,100	3,700	3,500									
125							4,100	3,500	3,100	2,900									
130							3,600	2,900	2,500	2,300									
135								2,400	2,000	1,800									
140								1,900	1,600	1,300									
145								1,500											
Min.Bm. Ang./Cap.	0	34,200	0	18,300	0	10,600	0	9,000	0	7,300	0	5,600	0	3,500	0	1,500	25.0	32.0	
Radius (ft)	42.8	56.5	71.5	86.5	101.5	116.5	131.5	146.5	144.8	142.2									

Not for crane operations

**Rated Lifting Capacities  
In Pounds**



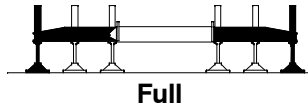
**14,000 lb**



Boom Length (ft)	41.4	55.0	70.0	85.0	100.0	115.0	130.0	140.0	150.0								
Load Radius (ft)	<p><b>10.0 ft Offset Fly</b></p>																
10	51,800	51,800															
12	47,300	51,800	51,800														
15	46,400	46,800	51,500	51,800													
20	45,200	45,700	45,400	44,400	48,000												
25	44,600	44,800	44,700	43,700	42,400	41,600	36,300										
30	44,600	44,400	44,100	43,200	41,800	40,000	36,300	29,900	25,400								
35	44,600	44,300	43,600	40,800	37,800	36,100	34,100	29,900	25,400								
40	42,500	44,300	39,700	37,000	34,500	33,000	32,200	29,900	25,400								
45		36,300	36,400	34,100	31,700	30,100	29,500	29,500	25,400								
50		30,100	31,400	31,300	29,200	27,600	27,100	27,100	25,400								
55		25,300	26,500	26,800	26,700	25,400	25,100	24,900	23,300								
60			22,700	23,000	22,900	22,500	21,800	21,300	20,900								
65			19,700	19,900	19,800	19,400	18,800	18,300	17,800								
70			17,200	17,400	17,300	17,000	16,400	16,000	15,600								
75				15,300	15,300	14,900	14,300	13,900	13,500								
80				13,500	13,500	13,100	12,500	12,100	11,700								
85				12,000	11,900	11,500	11,000	10,500	10,200								
90					10,600	10,200	9,600	9,200	8,800								
95					9,400	9,000	8,500	8,000	7,600								
100					8,300	8,000	7,400	7,000	6,600								
105						7,000	6,500	6,100	5,700								
110						6,200	5,700	5,200	4,900								
115						5,500	4,900	4,500	4,100								
120							4,300	3,800	3,400								
125							3,600	3,200	2,800								
130							3,100	2,700	2,300								
135								2,100	1,800								
140								1,700	1,300								
145																	
150																	
Min.Bm. Ang./Cap.	0	34,200	0	18,300	0	11,500	0	9,800	0	8,100	0	5,300	0	3,000	0	1,600	23.5
Radius (ft)	42.8		56.5		71.5		86.5		101.5		116.5		131.5		141.5		141.6

**Not for crane operations**

**Rated Lifting Capacities  
In Pounds**

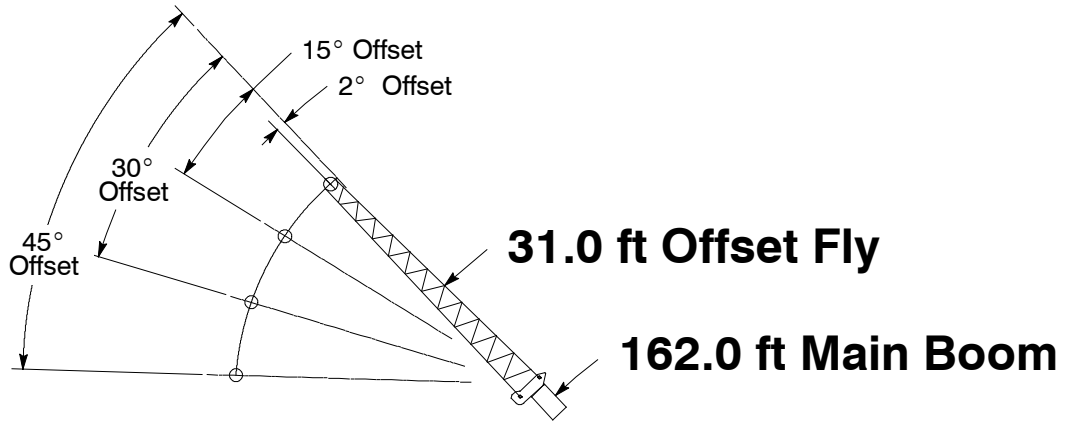


14,000 lb



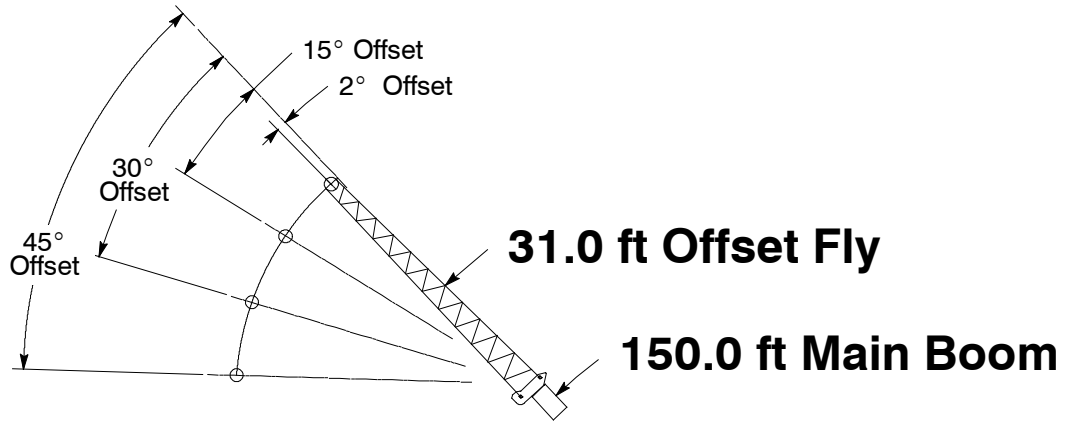
Boom Length (ft)	41.4	55.0	70.0	85.0	100.0	115.0	124.7
Load Radius (ft)	<p><b>10.0 ft Offset Fly</b></p>						
10	51,800	51,800					
12	47,300	51,800	51,800				
15	46,400	46,800	51,800	51,800			
20	45,200	45,700	46,000	45,800	51,800		
25	44,600	44,900	45,100	45,000	44,300	50,700	43,400
30	44,600	44,400	44,500	44,400	43,800	42,800	41,600
35	44,600	44,300	44,100	44,000	41,300	40,100	37,300
40	42,500	44,300	44,000	43,700	37,500	36,400	34,000
45		36,300	36,800	36,300	34,500	33,400	31,000
50		30,100	30,600	30,200	29,700	28,900	28,300
55		25,300	25,800	25,400	24,900	24,100	23,700
60			22,000	21,600	21,200	20,400	19,900
65			19,000	18,600	18,100	17,400	17,100
70			16,500	16,200	15,800	15,000	14,700
75				14,100	13,700	13,000	12,600
80				12,300	11,900	11,200	10,800
85				10,700	10,400	9,700	9,300
90					9,000	8,300	8,000
95					7,900	7,200	6,800
100					6,800	6,100	5,800
105						5,200	4,900
110						4,400	4,000
115						3,700	3,300
120							2,600
125							2,100
Min.Bm. Ang./Cap.	0   34,200	0   18,500	0   15,800	0   10,400	0   6,600	0   3,500	0   2,000
Radius (ft)	42.8	56.5	71.5	86.5	101.5	116.5	126.2

Not for crane operations



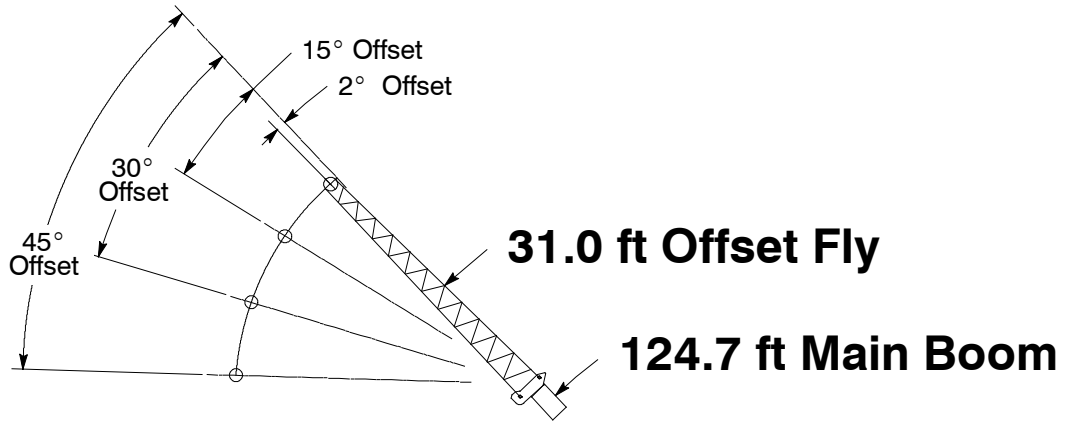
Rated Lifting Capacities In Pounds		Full		14,000 lb		EM 1		
		2° Offset		15° Offset		30° Offset		45° Offset
Load Radius (ft)	∠ °		∠ °		∠ °		∠ °	
	360°	360°	360°	360°	360°	360°	360°	360°
35	79.0	14,600						
40	78.0	14,600						
45	77.0	14,600	79.0	14,600				
50	75.5	14,600	78.0	14,600				
55	74.5	14,600	76.5	14,600	78.5	14,300		
60	73.0	14,600	75.5	14,600	77.5	14,100	79.0	13,200
65	72.0	14,600	74.0	14,600	76.0	14,000	77.5	13,100
70	70.5	14,600	73.0	14,600	74.5	13,800	76.5	13,100
75	69.0	13,900	71.5	14,600	73.5	13,700	75.0	13,000
80	67.0	12,100	69.5	13,000	72.0	13,600	73.5	12,900
85	65.5	10,600	67.5	11,300	70.0	12,100	72.0	12,700
90	63.5	9,200	65.5	9,900	68.0	10,600	70.0	11,200
95	61.5	8,000	64.0	8,700	66.0	9,300	67.5	9,800
100	59.5	7,000	62.0	7,600	64.0	8,200	65.5	8,600
105	57.5	6,000	60.0	6,600	62.0	7,100	63.5	7,500
110	55.5	5,200	58.0	5,700	60.0	6,200	61.5	6,500
115	53.5	4,500	56.0	4,900	58.0	5,400	59.5	5,700
120	51.5	3,800	54.0	4,200	56.0	4,600	57.0	4,900
125	49.5	3,200	51.5	3,600	53.5	3,900	55.0	4,100
130	47.5	2,600	49.5	3,000	51.5	3,300	52.5	3,500
135	45.0	2,100	47.5	2,400	49.0	2,700	50.0	2,900
140	43.0	1,600	45.0	1,900	46.5	2,200	47.5	2,300
145	40.5	1,200	42.5	1,400	44.0	1,700		
150					41.5	1,200		
Min.Bm. Ang./Cap.	40.0		40.5		41.0		41.0	
Radius (ft)	146.2		148.7		151.2		152.0	
Maximum Boom Length At 0° Boom Angle (ft)	129							

Not for crane operations



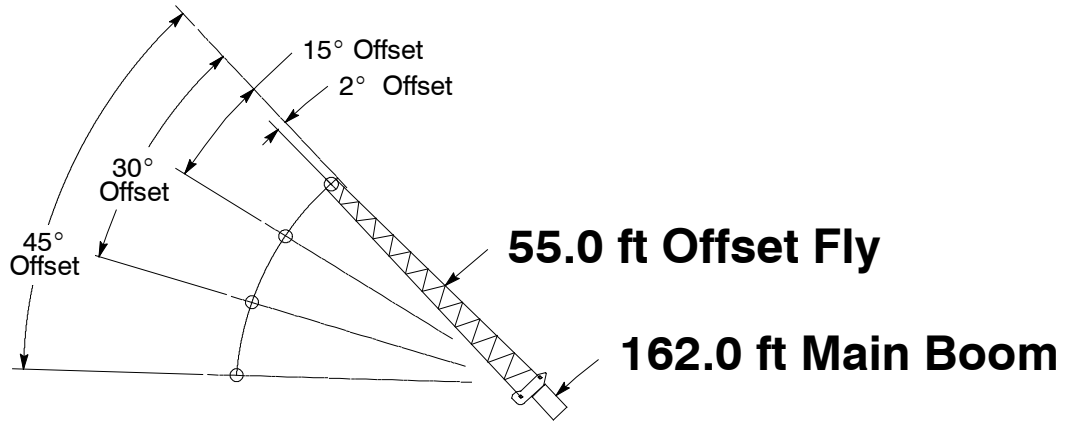
Rated Lifting Capacities In Pounds		Full		14,000 lb				
Load Radius (ft)	2° Offset		15° Offset		30° Offset		45° Offset	
	$\Delta$ °	360°	$\Delta$ °	360°	$\Delta$ °	360°	$\Delta$ °	360°
35	79.0	17,600						
40	77.5	17,600						
45	76.0	17,600	78.5	17,300				
50	75.0	17,600	77.0	17,000	79.0	15,300		
55	73.5	17,600	75.5	16,700	77.5	15,000	79.5	13,900
60	72.0	17,600	74.0	16,400	76.5	14,800	78.0	13,700
65	71.0	17,600	72.5	16,200	74.5	14,600	76.5	13,600
70	69.0	16,100	71.0	15,900	73.0	14,400	75.0	13,500
75	67.0	14,000	69.5	14,900	71.5	14,300	73.5	13,400
80	65.0	12,200	67.5	13,000	70.0	13,800	71.5	13,300
85	63.0	10,600	65.5	11,400	68.0	12,100	70.0	12,700
90	61.0	9,300	63.5	10,000	66.0	10,600	67.5	11,200
95	59.0	8,100	61.5	8,700	63.5	9,300	65.5	9,800
100	57.0	7,100	59.0	7,600	61.5	8,200	63.0	8,600
105	55.0	6,100	57.0	6,700	59.5	7,200	61.0	7,500
110	52.5	5,300	55.0	5,800	57.0	6,200	58.5	6,500
115	50.5	4,500	52.5	5,000	55.0	5,400	56.0	5,700
120	48.0	3,900	50.5	4,300	52.5	4,600	53.5	4,900
125	45.5	3,200	48.0	3,600	50.0	3,900	51.0	4,100
130	43.5	2,700	45.5	3,000	47.5	3,300	48.5	3,400
135	40.5	2,200	43.0	2,500	44.5	2,700	45.5	2,800
140	38.0	1,700	40.0	2,000	42.0	2,200		
145	35.0	1,200	37.5	1,500	39.0	1,700		
150					35.5	1,200		
Min.Bm. Ang./Cap.	34.5		34.0		34.5		34.5	
Radius (ft)	146.3		150.0		151.3		151.0	
Maximum Boom Length At 0° Boom Angle (ft)					126			

Not for crane operations



Rated Lifting Capacities In Pounds		Full		14,000 lb		EM 3		
		2° Offset		15° Offset		30° Offset		45° Offset
Load Radius (ft)	∠ °	360°	∠ °	360°	∠ °	360°	∠ °	360°
	30	78.5	28,100					
35	77.0	27,000	79.0	20,400				
40	75.5	26,000	77.5	20,400				
45	73.5	24,900	75.5	19,300	78.0	16,600		
50	72.0	24,000	74.0	18,700	76.0	16,300	78.5	14,700
55	70.0	23,100	72.0	18,200	74.5	15,900	76.5	14,500
60	68.0	20,400	70.0	17,700	72.5	15,600	74.5	14,300
65	65.5	17,900	68.0	17,300	70.5	15,300	72.5	14,100
70	63.5	15,600	66.0	16,600	68.5	15,000	70.5	14,000
75	61.0	13,500	64.0	14,400	66.5	14,800	68.5	13,800
80	58.5	11,700	61.5	12,500	64.0	13,300	66.0	13,700
85	56.5	10,100	59.0	10,900	61.5	11,600	63.5	12,100
90	54.0	8,800	56.5	9,500	59.0	10,100	61.0	10,600
95	51.5	7,600	54.0	8,200	56.5	8,800	58.0	9,200
100	49.0	6,600	51.5	7,100	54.0	7,600	55.5	8,000
105	46.0	5,700	49.0	6,100	51.0	6,600	52.5	6,900
110	43.5	4,800	46.0	5,300	48.0	5,600	49.5	5,900
115	40.5	4,100	43.0	4,500	45.0	4,800	46.0	5,000
120	37.0	3,400	40.0	3,800	41.5	4,000		
125	34.0	2,800	36.5	3,100	38.0	3,300		
130	30.0	2,200	32.5	2,500	34.0	2,700		
135	26.0	1,700	28.0	1,900				
140	20.5	1,300	23.0	1,400				
Min. Bm. Ang./Cap.	17.0		18.0		12.0		9.5	
Radius (ft)	142.5		143.0		142.3		141.4	
Maximum Boom Length At 0° Boom Angle (ft)	113							

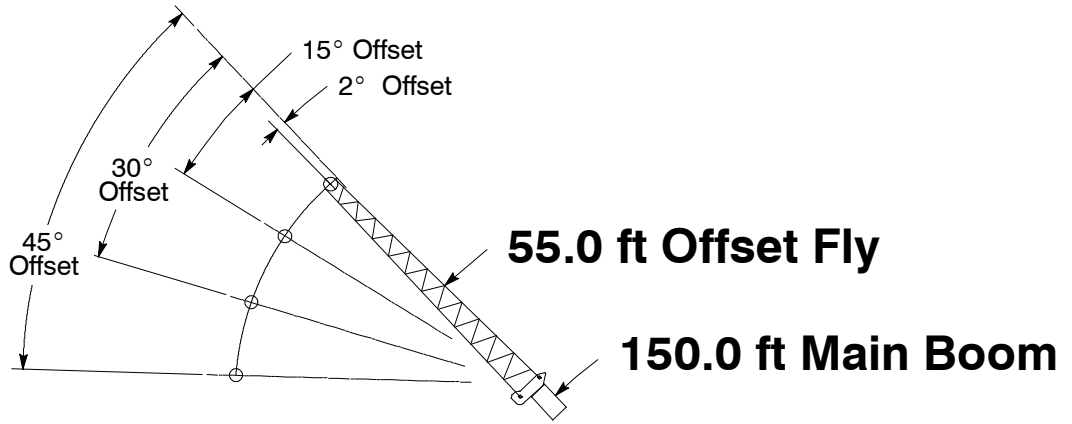
Not for crane operations



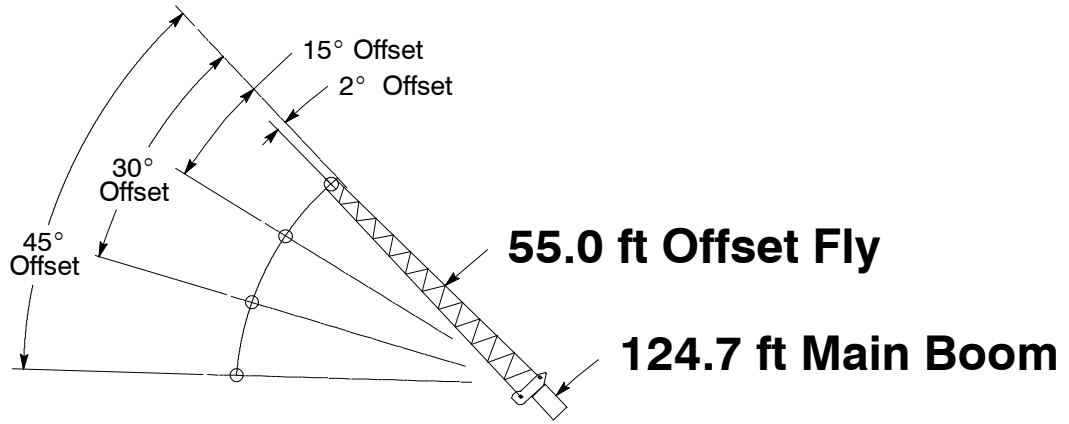
Rated Lifting Capacities In Pounds		Full		14,000 lb		EM 1		
		2° Offset		15° Offset		30° Offset		45° Offset
Load Radius (ft)	∠ °		∠ °		∠ °		∠ °	
	360°	360°	360°	360°	360°	360°	360°	360°
40	79.5	10,600						
45	78.5	10,600						
50	77.5	10,600						
55	76.5	10,600						
60	75.5	10,600	78.5	9,700				
65	74.5	10,600	77.5	9,500				
70	73.5	10,500	76.5	9,400	79.5	8,300		
75	72.0	10,300	75.0	9,200	78.5	8,200		
80	71.0	10,200	74.0	9,000	77.0	8,100		
85	69.5	10,000	72.5	8,900	76.0	8,000	78.5	7,300
90	68.5	9,800	71.5	8,700	74.5	7,800	77.0	7,300
95	67.0	8,800	70.0	8,600	73.5	7,700	76.0	7,200
100	65.0	7,700	69.0	8,500	72.0	7,600	74.5	7,100
105	63.5	6,800	67.5	7,700	70.5	7,600	73.0	7,100
110	62.0	5,900	65.5	6,800	69.0	7,500	71.5	7,100
115	60.0	5,200	64.0	6,000	67.5	6,800	70.0	7,000
120	58.5	4,500	62.0	5,200	65.5	6,000	68.5	6,600
125	56.5	3,800	60.0	4,600	63.5	5,300	66.5	5,800
130	55.0	3,200	58.5	3,900	62.0	4,600	64.5	5,100
135	53.0	2,700	56.5	3,300	60.0	4,000	62.5	4,400
140	51.5	2,200	54.5	2,800	58.0	3,400	60.0	3,800
145	49.5	1,800	53.0	2,300	56.0	2,800	58.0	3,200
150	47.5	1,400	51.0	1,900	54.0	2,300	56.0	2,600
155			49.0	1,400	52.0	1,900	53.5	2,100
160					49.5	1,400	51.0	1,600
165							49.0	1,200
Min. Bm. Ang./Cap.	46.0		47.0		48.0		48.5	
Radius (ft)	153.8		160.0		163.8		166.0	
Maximum Boom Length At 0° Boom Angle (ft)					120			

Not for crane operations





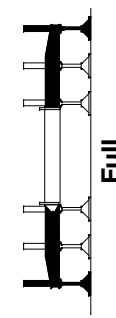
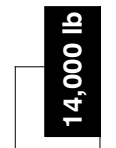
Rated Lifting Capacities In Pounds		Full		14,000 lb		EM 2		
								2° Offset
Load Radius (ft)	∠ °		∠ °		∠ °		∠ °	
	360°	360°	360°	360°	360°	360°	360°	360°
40	79.5	12,700						
45	78.0	12,500						
50	77.0	12,200						
55	76.0	12,000	79.0	10,500				
60	74.5	11,700	78.0	10,300				
65	73.5	11,500	76.5	10,000				
70	72.0	11,200	75.5	9,800	79.0	8,600		
75	71.0	11,000	74.0	9,600	77.5	8,400		
80	69.5	10,700	72.5	9,400	76.0	8,300	79.0	7,600
85	68.0	10,500	71.5	9,200	74.5	8,200	77.5	7,500
90	66.5	10,200	70.0	9,000	73.0	8,000	76.0	7,400
95	65.0	8,900	68.5	8,900	71.5	7,900	74.5	7,400
100	63.0	7,900	67.0	8,700	70.0	7,800	73.0	7,300
105	61.5	6,900	65.0	7,900	68.5	7,700	71.5	7,200
110	59.5	6,100	63.5	6,900	67.0	7,600	69.5	7,200
115	57.5	5,300	61.5	6,100	65.0	6,900	68.0	7,200
120	56.0	4,600	59.5	5,300	63.0	6,100	66.0	6,600
125	54.0	4,000	57.5	4,700	61.0	5,300	64.0	5,800
130	52.0	3,400	55.5	4,000	59.0	4,600	61.5	5,100
135	50.0	2,900	53.5	3,500	57.0	4,000	59.5	4,400
140	48.0	2,400	51.5	2,900	55.0	3,400	57.0	3,800
145	46.0	1,900	49.5	2,400	52.5	2,900	54.5	3,200
150	44.0	1,500	47.5	2,000	50.5	2,400	52.0	2,600
155			45.0	1,500	48.0	1,900	49.5	2,100
160			43.0	1,200	45.5	1,500	46.5	1,600
Min.Bm. Ang./Cap.	42.0		42.5		43.0		43.5	
Radius (ft)	155.0		161.3		165.0		165.0	
Maximum Boom Length At 0° Boom Angle (ft)					118			



Rated Lifting Capacities In Pounds		Full		14,000 lb		EM 3		
		2° Offset		15° Offset		30° Offset		45° Offset
Load Radius (ft)	∠ °		∠ °		∠ °		∠ °	
	360°	360°	360°	360°	360°	360°	360°	360°
35	78.5	15,300						
40	77.5	14,800						
45	76.0	14,300	79.5	12,000				
50	74.5	13,800	78.0	11,600				
55	73.0	13,300	76.5	11,200				
60	71.5	12,800	75.0	10,900	79.0	9,300		
65	69.5	12,400	73.5	10,500	77.5	9,100		
70	68.0	12,000	72.0	10,200	76.0	8,900	79.0	8,000
75	66.5	11,600	70.0	9,900	74.0	8,700	77.5	7,800
80	65.0	11,200	68.5	9,700	72.5	8,500	75.5	7,700
85	63.0	10,800	67.0	9,400	70.5	8,300	74.0	7,600
90	61.0	9,900	65.0	9,200	69.0	8,200	72.0	7,600
95	59.0	8,700	63.0	9,000	67.0	8,000	70.0	7,500
100	57.0	7,700	61.5	8,600	65.0	7,900	68.0	7,400
105	55.0	6,700	59.0	7,600	63.0	7,800	66.0	7,400
110	53.0	5,900	57.0	6,700	61.0	7,500	63.5	7,300
115	50.5	5,100	54.5	5,900	58.5	6,600	61.5	7,100
120	48.5	4,400	52.5	5,100	56.0	5,800	58.5	6,200
125	46.0	3,800	50.0	4,400	53.5	5,000	56.0	5,400
130	43.5	3,200	47.5	3,800	51.0	4,300	53.0	4,600
135	41.0	2,700	45.0	3,200	48.0	3,700	50.0	3,900
140	38.5	2,200	42.0	2,700	45.5	3,100	46.5	3,200
145	35.5	1,800	39.5	2,200	42.0	2,500		
150	32.5	1,400	36.0	1,700	38.5	2,000		
155			32.5	1,300	35.0	1,500		
Min.Bm. Ang./Cap.	30.0		30.5		31.0		27.0	
Radius (ft)	153.8		157.5		159.0		155.3	
Maximum Boom Length At 0° Boom Angle (ft)					107			

Not for crane operations

Rated Lifting Capacities In Pounds		10.0' Hydraulic Offset Fly										EM 1	360°							
		Boom Length (ft)																		
Load Radius (ft)	41.4	55.0		70.0		85.0		100.0		115.0		130.0		145.0		155.0		162.0		
		10	51,800	48,600	48,600	48,600	48,600	48,600	48,600	48,600	48,600	48,600	48,600	48,600	48,600	48,600	48,600	48,600	48,600	48,600
12	47,200	45,100	45,100	45,100	45,100	45,100	45,100	45,100	45,100	45,100	45,100	45,100	45,100	45,100	45,100	45,100	45,100	45,100	45,100	45,100
15	46,200	44,300	44,300	44,300	44,300	44,300	44,300	44,300	44,300	44,300	44,300	44,300	44,300	44,300	44,300	44,300	44,300	44,300	44,300	44,300
20	45,000	43,800	43,800	43,800	43,800	43,800	43,800	43,800	43,800	43,800	43,800	43,800	43,800	43,800	43,800	43,800	43,800	43,800	43,800	43,800
25	44,400	43,000	43,000	43,000	43,000	43,000	43,000	43,000	43,000	43,000	43,000	43,000	43,000	43,000	43,000	43,000	43,000	43,000	43,000	43,000
30	43,800	42,800	42,800	42,800	42,800	42,800	42,800	42,800	42,800	42,800	42,800	42,800	42,800	42,800	42,800	42,800	42,800	42,800	42,800	42,800
35	42,100	40,900	40,900	40,900	40,900	40,900	40,900	40,900	40,900	40,900	40,900	40,900	40,900	40,900	40,900	40,900	40,900	40,900	40,900	40,900
40	42,100	37,000	37,000	37,000	37,000	37,000	37,000	37,000	37,000	37,000	37,000	37,000	37,000	37,000	37,000	37,000	37,000	37,000	37,000	37,000
45	36,000	34,000	34,000	34,000	34,000	34,000	34,000	34,000	34,000	34,000	34,000	34,000	34,000	34,000	34,000	34,000	34,000	34,000	34,000	34,000
50	29,800	31,200	31,200	31,200	31,200	31,200	31,200	31,200	31,200	31,200	31,200	31,200	31,200	31,200	31,200	31,200	31,200	31,200	31,200	31,200
55	25,000	26,300	26,300	26,300	26,300	26,300	26,300	26,300	26,300	26,300	26,300	26,300	26,300	26,300	26,300	26,300	26,300	26,300	26,300	26,300
60		22,500	22,500	22,500	22,500	22,500	22,500	22,500	22,500	22,500	22,500	22,500	22,500	22,500	22,500	22,500	22,500	22,500	22,500	22,500
65		19,500	19,500	19,500	19,500	19,500	19,500	19,500	19,500	19,500	19,500	19,500	19,500	19,500	19,500	19,500	19,500	19,500	19,500	19,500
70		17,000	17,000	17,200	17,200	17,200	17,200	17,200	17,200	17,200	17,000	17,000	16,600	16,600	16,600	16,600	16,600	16,600	16,600	16,600
75			15,100	15,200	15,200	15,200	15,200	15,200	15,200	14,800	14,800	14,500	14,500	14,500	14,500	14,500	14,500	14,500	14,500	14,500
80			13,300	13,400	13,400	13,400	13,400	13,400	13,400	13,000	13,000	12,700	12,700	12,700	12,700	12,700	12,700	12,700	12,700	12,700
85			11,700	11,900	11,900	11,900	11,900	11,900	11,900	11,500	11,500	11,100	11,100	11,100	11,100	11,100	11,100	11,100	11,100	11,100
90				10,500	10,500	10,500	10,500	10,500	10,500	10,100	10,100	9,800	9,800	9,800	9,800	9,800	9,800	9,800	9,800	9,800
95				9,300	9,300	9,300	9,300	9,300	9,300	8,900	8,900	8,600	8,600	8,600	8,600	8,600	8,600	8,600	8,600	8,600
100				8,300	8,300	8,300	8,300	8,300	8,300	7,900	7,900	7,600	7,600	7,600	7,600	7,600	7,600	7,600	7,600	7,600
105										6,900	6,900	6,600	6,600	6,600	6,600	6,600	6,600	6,600	6,600	6,600
110										6,100	6,100	5,800	5,800	5,800	5,800	5,800	5,800	5,800	5,800	5,800
115										5,400	5,400	5,000	5,000	5,000	5,000	5,000	5,000	5,000	5,000	5,000
120										4,400	4,400	4,400	4,400	4,400	4,400	4,400	4,400	4,400	4,400	4,400
125										3,700	3,700	3,700	3,700	3,700	3,700	3,700	3,700	3,700	3,700	3,700
130										3,200	3,200	3,200	3,200	3,200	3,200	3,200	3,200	3,200	3,200	3,200
135												2,000	2,000	2,000	2,000	2,000	2,000	2,000	2,000	2,000
140												1,500	1,500	1,500	1,500	1,500	1,500	1,500	1,500	1,500
Min. Bm. Ang./Cap.	0 / 33,900	0 / 17,900	0 / 10,100	0 / 8,600	0 / 6,800	0 / 5,200	0 / 3,100	12.0 / 0	29.0 / 0	35.5 / 0										
Radius (ft)	42.8	56.5	71.5	86.5	101.5	116.5	131.5	143.4	140.1	137.7										



Not for crane operations

**Rated Lifting Capacities In Pounds**

**10.0' Hydraulic Offset Fly**

2° - 45°

Full



14,000 lb

EM 2

360°

Load Radius (ft)	Boom Length (ft)									
	41.4	55.0	70.0	85.0	100.0	115.0	130.0	140.0	150.0	
10	51,800	51,800	51,800	51,800						
12	47,200	51,800	51,300	51,800						
15	46,200	46,700	51,300	51,800						
20	45,000	45,500	45,300	44,200	47,800					
25	44,400	44,700	44,500	43,600	42,200	41,400				
30	43,800	44,200	43,900	43,100	41,400	39,600	36,100			25,300
35	42,100	44,100	43,200	40,500	37,400	35,700	33,800	29,800		25,300
40	42,100	43,000	39,200	36,600	34,300	32,600	31,800	29,800		25,300
45		36,000	36,000	33,700	31,300	29,700	29,100	29,100		25,300
50		29,800	31,000	30,900	28,800	27,200	26,700	26,700		25,000
55		25,000	26,200	26,400	26,300	25,000	24,700	24,500		22,900
60			22,400	22,600	22,500	22,100	21,500	21,000		20,500
65			19,300	19,500	19,400	19,000	18,400	17,900		17,500
70			16,900	17,100	17,000	16,700	16,100	15,600		15,200
75				15,000	14,900	14,500	14,000	13,500		13,100
80				13,200	13,100	12,700	12,200	11,700		11,300
85				11,600	11,500	11,200	10,600	10,200		9,800
90					10,200	9,800	9,300	8,800		8,400
95					9,000	8,600	8,100	7,700		7,300
100					8,000	7,600	7,000	6,600		6,200
105						6,700	6,100	5,700		5,300
110						5,800	5,300	4,900		4,500
115						5,100	4,500	4,100		3,700
120							3,900	3,400		3,100
125							3,200	2,800		2,500
130							2,700	2,300		1,900
135								1,700		1,400
140								1,300		
Min. Bm. Ang./Cap.	0 / 33,900	0 / 17,900	0 / 11,100	0 / 9,400	0 / 7,700	0 / 4,900	0 / 2,600	0 / 1,200		28.0 / 0
Radius (ft)	42.8	56.5	71.5	86.5	101.5	116.5	131.5	141.5		136.8

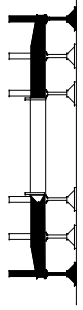
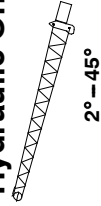
Not for crane operations

Rated Lifting Capacities In Pounds		10.0' Hydraulic Offset Fly							 360°
		 EM 3							
Load Radius (ft)		Boom Length (ft)							14,000 lb
		41.4	55.0	70.0	85.0	100.0	115.0	124.7	
10	51,800	51,800	51,800	51,800	51,800	51,800	51,800		
12	47,200	51,800	51,800	51,800	51,800	51,800	51,800		
15	46,200	46,700	46,700	46,700	46,700	46,700	46,700		
20	45,000	45,500	45,500	45,500	45,500	45,500	45,500	51,800	43,300
25	44,400	44,700	44,700	44,700	44,700	44,700	44,700	44,200	50,300
30	43,800	44,200	44,200	44,200	44,200	44,200	44,200	43,600	42,700
35	42,100	44,100	44,100	44,100	44,100	44,100	43,800	40,900	39,700
40	42,100	43,000	43,000	43,000	43,000	43,000	43,500	37,100	36,000
45		35,900	36,400	36,400	36,400	36,400	36,000	34,200	33,000
50		29,700	30,200	30,200	30,200	30,200	29,800	29,400	28,500
55		25,000	25,400	25,400	25,400	25,400	25,000	24,600	23,700
60			21,600	21,600	21,600	21,600	21,300	20,800	20,000
65			18,600	18,600	18,600	18,600	18,200	17,800	17,100
70			16,200	16,200	16,200	16,200	15,800	15,400	14,700
75							13,700	13,300	12,600
80							11,900	11,500	10,800
85							10,400	10,000	9,300
90								8,700	8,000
95								7,500	6,800
100								6,400	5,800
105									4,900
110									4,000
115									3,300
120									3,700
125									2,900
									2,200
									1,700
Min. Bm. Ang./Cap.	0 / 33,900	0 / 18,100	0 / 15,400	0 / 10,000	0 / 6,200	0 / 3,100			
Radius (ft)	42.8	56.5	71.5	86.5	101.5	116.5			

Not for crane operations

### 31.0' Hydraulic Offset Fly

Rated Lifting Capacities  
In Pounds



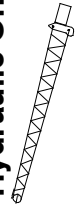
14,000 lb



Load Radius (ft)	Boom Length (ft)																			
	41.4				70.3				100.0				130.6				162.0			
	2-15	15-30	30-45		2-15	15-30	30-45		2-15	15-30	30-45		2-15	15-30	30-45		2-15	15-30	30-45	
15	26,300	26,300			33,900															
20	23,800	23,800			25,100	25,100														
25	20,500	17,800	17,800		23,500	23,500														
30	19,000	16,800	15,300		20,700	17,700	17,700													
35	17,700	15,900	14,700		19,700	17,000	15,200	16,900												
40	16,600	15,200	14,000		18,700	16,400	14,800	14,800	16,500											
45	15,700	14,600	13,400		17,900	15,800	14,500	14,500	16,000	16,000	14,500	14,500	17,600	15,600	15,600	15,600	14,400	14,400	14,400	14,400
50	14,900	14,200	13,000		17,100	15,300	14,000	14,000	15,600	15,600	14,300	14,300	17,200	15,300	15,300	14,000	14,400	14,400	14,400	14,200
55	14,300	13,800	12,800		16,400	14,900	13,600	13,600	15,300	15,300	14,000	14,000	16,900	15,100	13,800	13,800	14,400	14,400	14,400	13,100
60	13,900	13,700	12,800		15,800	14,500	13,300	13,300	15,000	15,000	13,600	13,600	16,600	14,800	13,600	13,600	14,400	14,400	14,400	12,900
65					15,300	14,200	13,000	13,000	14,700	14,700	13,400	13,400	16,200	14,600	13,400	13,400	14,400	14,400	14,400	12,700
70					14,800	14,000	12,800	12,800	14,400	14,400	13,100	13,100	15,900	14,400	13,100	13,100	14,400	14,400	14,400	12,600
75					14,400	13,800	12,700	12,700	14,200	14,200	12,900	12,900	14,800	14,200	13,000	13,000	13,600	13,600	13,600	12,500
80					14,100	13,700	12,700	12,700	14,000	14,000	12,800	12,800	13,300	13,900	12,800	12,800	11,800	11,800	11,800	12,300
85					13,100	13,400	12,700	12,700	13,200	13,200	12,600	12,600	11,700	12,400	12,600	12,600	10,200	10,200	10,200	11,800
90					11,700	11,600			11,800	11,800	12,200	12,200	10,300	10,900	11,500	11,500	8,900	8,900	8,900	10,300
95									10,500	10,500	10,900	10,900	9,100	9,700	10,200	10,200	7,700	7,700	7,700	9,000
100									9,400	9,400	9,700	9,700	8,100	8,600	9,000	9,000	6,700	6,700	6,700	7,900
105									8,400	8,400	8,600	8,600	7,100	7,600	8,000	8,000	5,700	5,700	5,700	6,800
110									7,300	7,500	7,600	7,600	6,300	6,700	7,000	7,000	4,900	4,900	4,900	5,900
115									6,500	6,700	6,700	6,700	5,500	5,900	6,200	6,200	4,100	4,100	4,100	5,100
120									5,900	5,800	5,800	5,800	4,800	5,200	5,400	5,400	3,400	3,400	3,400	4,300
125													4,200	4,500	4,700	4,700	2,800	2,800	2,800	3,600
130													3,600	3,900	4,100	4,100	2,300	2,300	2,300	3,000
135													3,100	3,300	3,500	3,500	1,700	1,700	1,700	2,400
140													2,700	2,800	2,800	2,800	1,300	1,300	1,300	1,900
145													2,200	2,300	2,300	2,300				1,400
150													1,800	1,700	1,700	1,700				
Min. Bm. Ang./Cap.	0/13,700	0/13,700	0/12,800		0/6,100	0/6,100	0/6,400	0/4,000	0/4,100	0/4,100	0/4,300	0/4,300	0/1,700	0/1,700	0/1,700	0/1,700	43.5/0	43.5/0	43.5/0	43.5/0
Radius (ft)	64.0	64.0	62.9		92.9	92.7	91.2	122.6	122.3	120.5	120.5	153.2	152.9	152.9	150.9	142.0	145.0	145.0	145.0	148.0

### 31.0' Hydraulic Offset Fly

Rated Lifting Capacities  
In Pounds



2°-45°



Full

14,000 lb

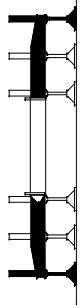


Load Radius (ft) Offset In °	Boom Length (ft)														
	41.4			67.3			94.0			121.6			150.0		
	2-15	15-30	30-45	2-15	15-30	30-45	2-15	15-30	30-45	2-15	15-30	30-45	2-15	15-30	30-45
15	26,300	26,300		34,400			30,200			19,800					
20	23,800	23,800		25,200	25,200		23,600	23,600		19,300	19,300				
25	20,500	17,800	17,800	23,500	23,500		19,200	16,600	16,600	18,800	16,400	16,400			
30	19,000	16,800	15,300	22,000	17,700	17,700	18,500	16,100	16,100	18,300	16,100	14,500	17,000		
35	17,700	15,900	14,700	19,600	16,900	15,200	17,900	15,700	15,700	17,900	15,700	14,300	16,700	17,400	
40	16,600	15,200	14,000	18,700	16,300	14,800	19,200	16,600	16,600	18,800	16,400	14,100	16,500	17,300	17,300
45	15,700	14,600	13,400	17,800	15,700	14,400	18,500	16,100	16,100	18,300	16,100	14,500	17,000	17,000	
50	14,900	14,200	13,000	17,000	15,200	13,900	17,900	15,700	15,700	17,900	15,700	14,300	16,700	16,700	15,000
55	14,300	13,800	12,800	16,300	14,800	13,500	17,300	15,300	15,300	17,400	15,400	14,100	16,500	16,500	13,600
60	13,900	13,700	12,800	15,700	14,400	13,200	16,800	15,000	15,000	17,000	15,100	13,800	16,200	16,200	13,400
65				15,100	14,100	13,000	16,300	14,700	14,700	16,600	14,800	13,500	15,900	15,900	13,200
70				14,700	13,900	12,800	15,800	14,400	14,400	16,200	14,600	13,300	15,700	15,700	13,000
75				14,300	13,800	12,800	15,400	14,200	14,200	15,100	14,400	13,100	15,300	13,700	12,900
80				14,000	13,700	12,800	14,300	14,000	14,000	13,300	14,000	12,900	11,900	11,900	12,700
85				13,000	13,300		12,700	13,200	13,200	11,700	12,400	12,800	10,300	10,300	11,900
90							11,300	11,700	11,700	10,400	10,900	11,500	9,000	9,000	10,400
95							10,100	10,500	10,500	9,200	9,700	10,200	7,800	7,800	9,100
100							9,100	9,400	9,400	8,100	8,600	9,000	6,700	6,700	7,900
105							8,100	8,400	8,400	7,200	7,600	7,900	5,800	5,800	6,900
110							7,300	7,400	7,400	6,300	6,700	7,000	5,000	5,000	5,900
115							6,600	6,600	6,600	5,600	5,900	6,200	4,200	4,200	5,100
120										4,900	5,200	5,400	3,500	3,500	4,300
125										4,200	4,500	4,700	2,900	2,900	3,600
130										3,700	3,900	4,000	2,300	2,300	3,000
135										3,200	3,300		1,800	1,800	2,400
140										2,700	2,800		1,400	1,400	1,900
145															1,400
Min. Bm. Ang./Cap.	0/13,700	0/13,700	0/12,800	0/6,900	0/7,000	0/7,200	0/5,000	0/5,000	0/5,000	0/2,400	0/2,400	0/2,500	38.0/0	38.0/0	38.5/0
Radius (ft)	64.0	64.0	62.9	89.9	89.7	88.2	116.6	116.3	114.6	144.2	143.9	142.0	143.0	146.0	148.0

Not for crane operations

### 31.0' Hydraulic Offset Fly

Rated Lifting Capacities  
In Pounds



14,000 lb



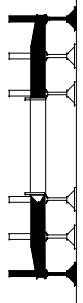
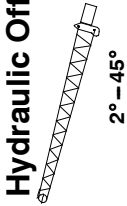
Load Radius (ft)	Boom Length (ft)																				
	41.4				54.6				68.7				96.3				124.7				
	2-15	15-30	30-45		2-15	15-30	30-45		2-15	15-30	30-45		2-15	15-30	30-45		2-15	15-30	30-45		
15	26,300	26,300			27,100	27,100			34,700	25,600	25,600			24,600	24,600						
20	23,800	23,800			24,800	24,800			25,600	23,800	23,800			24,600	24,600						
25	20,500	17,800	17,800		18,300	18,300	18,300		23,800	23,800	18,300			24,600	24,600						
30	19,000	16,800	15,300		17,400	17,400	15,500		22,300	17,900	17,900	17,900		23,400	23,400						
35	17,700	15,900	14,700		16,600	16,600	15,000		20,000	17,100	15,300	15,300		22,200	17,600	17,600			20,200	20,200	
40	16,600	15,200	14,000		15,900	15,900	14,600		19,000	16,500	14,900	14,900		20,100	17,000	15,100			19,600	19,600	16,800
45	15,700	14,600	13,400		15,300	15,300	14,000		18,100	15,900	14,500	14,500		19,300	16,500	14,800			19,000	19,000	14,700
50	14,900	14,200	13,000		14,800	14,800	13,600		17,200	15,400	14,100	14,100		18,600	16,100	14,600			18,500	18,500	14,500
55	14,300	13,800	12,800		14,400	14,400	13,200		16,500	15,000	13,600	13,600		17,900	15,700	14,200			18,000	18,000	14,300
60	13,900	13,700	12,800		14,100	14,100	12,900		15,900	14,600	13,300	13,300		17,300	15,300	13,900			17,500	17,500	14,000
65					13,800	13,800	12,800		15,300	14,300	13,000	13,000		16,700	15,000	13,600			17,100	17,100	13,700
70					13,800	13,800	12,800		14,800	14,000	12,900	12,900		16,200	14,700	13,300			15,300	15,300	13,500
75					13,800	13,800			14,400	13,800	12,800	12,800		14,800	14,400	13,100			13,200	13,200	13,300
80									14,100	13,800	12,800	12,800		13,000	13,600	12,900			11,400	11,400	13,000
85									12,500	12,800	12,800	12,800		11,400	12,000	12,500			9,800	9,800	11,300
90									11,200	11,300				10,500	10,500	11,000			8,500	8,500	9,800
95														9,300	9,300	9,600			7,300	7,300	8,500
100														8,200	8,200	8,400			6,300	6,300	7,300
105														6,900	7,200	7,400			5,300	5,300	6,300
110														6,000	6,300				4,500	4,500	5,400
115														5,300	5,400				3,800	3,800	4,500
120																			3,100	3,100	3,700
125																			2,500	2,500	3,000
130																			1,900	1,900	2,300
135																			1,400	1,400	1,600
Min. Bm. Ang./Cap.	0/13,700	0/13,700	0/12,800		0/10,700	0/10,700	0/11,200		0/9,100	0/9,300	0/9,700	0/9,700		0/4,800	0/4,900	0/5,000			24.0/0	24.5/0	24.5/0
Radius (ft)	64.0	64.0	62.9		77.1	77.1	75.8		91.3	91.1	89.6	89.6		118.9	118.6	116.9			138.7	140.0	140.0



Rated Lifting Capacities In Pounds		55.0' Hydraulic Offset Fly												EM 1		360°	
		2° - 45°				Full				14,000 lb							
Load Radius (ft)	Offset In°	Boom Length (ft)												162.0	15-30	30-45	
		41.4				70.3				100.0							130.6
		2-15	15-30	30-45	2-15	15-30	30-45	2-15	15-30	30-45	2-15	15-30	30-45	2-15	15-30	30-45	
15	20,000																
20	17,900				17,800												
25	13,700				16,800												
30	12,700				15,700												
35	11,800				12,400	15,100											
40	11,000				11,800	14,500	11,800										
					9,700	11,800	11,800	13,000									
45	10,300				11,200	9,600	9,600	12,700									
50	9,700				10,700	9,300	9,300	10,700	10,700								
55	9,200				10,200	8,900	8,900	10,400	10,400								
60	8,700				9,700	8,600	8,600	8,800	10,100								
65	8,300				9,400	8,400	8,400	8,600	8,600								
70	8,000				9,000	8,100	8,100	8,400	8,400								
75	7,600				8,700	7,900	7,900	8,200	8,200								
80	7,300				8,400	7,700	7,700	8,000	8,000								
85	7,000				8,100	7,500	7,500	7,800	7,800								
90					7,900	7,300	7,300	7,700	7,700								
95					7,700	7,100	7,100	7,600	7,600								
100					7,400	7,000	7,000	7,400	7,400								
105					7,200	6,900	6,900	7,300	7,300								
110					7,000	6,900	6,900	7,100	7,100								
115					6,900	6,900	6,900	7,400	7,400								
120								6,700	6,700								
125								6,100	6,100								
130								5,500	5,500								
135								5,000	5,000								
140								4,500	4,500								
145								4,100	4,100								
150																	
155																	
160																	
165																	
Min. Bm. Ang./Cap.	0/7,000	0/7,000	0/6,600	0/3,900	0/3,900	0/3,900	0/4,200	0/2,400	0/2,500	0/2,600	23.0/0	22.0/0	20.0/0	50.0/0	51.0/0	51.5/0	
Radius (ft)	88.0	87.9	86.2	116.9	116.5	114.0	114.0	146.6	146.0	143.0	170.0	170.0	167.3	150.0	156.3	161.3	

# 55.0' Hydraulic Offset Fly

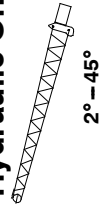
**Rated Lifting Capacities  
In Pounds**



Load Radius (ft)	Boom Length (ft)																				
	41.4				67.3				94.0				121.6				150.0				
	2-15	15-30	30-45		2-15	15-30	30-45		2-15	15-30	30-45		2-15	15-30	30-45		2-15	15-30	30-45		
15	20,000				18,100																
20	17,900				16,900																
25	13,700	13,700			13,200	13,200															
30	12,700	12,700			12,400	12,400															
35	11,800	11,800			11,800	11,800															
40	11,000	9,700	9,700		11,800	9,700	9,700														
45	10,300	9,200	9,200		11,200	9,600	9,600														
50	9,700	8,800	7,700		10,600	9,200	9,200														
55	9,200	8,400	7,400		10,100	8,900	7,700														
60	8,700	8,100	7,000		9,700	8,600	7,400														
65	8,300	7,800	6,800		9,300	8,300	7,200														
70	8,000	7,500	6,600		8,900	8,100	7,000														
75	7,600	7,200	6,600		8,600	7,900	6,800														
80	7,300	7,000	6,600		8,300	7,700	6,600														
85	7,000	7,000			8,000	7,500	6,500														
90					7,800	7,300	6,400														
95					7,600	7,100	6,400														
100					7,300	7,000	6,400														
105					7,100	6,900	6,400														
110					6,900	6,900															
115																					
120																					
125																					
130																					
135																					
140																					
145																					
150																					
155																					
160																					
165																					
Min. Bm. Ang./Cap.	0/7,000	0/7,000	0/6,600		0/4,400	0/4,500	0/4,800		0/3,100	0/3,200	0/3,400		0/1,400	0/1,400	0/1,500		45.5/0	46.5/0	47.0/0		
Radius (ft)	88.0	87.9	86.2		113.9	113.5	111.1		140.6	140.0	137.1		168.2	167.5	164.2		151.3	157.5	161.3		

# 55.0' Hydraulic Offset Fly

Rated Lifting Capacities  
In Pounds



14,000 lb



Load Radius (ft)	Boom Length (ft)																			
	41.4				54.6				68.7				96.3				124.7			
	2-15	15-30	30-45		2-15	15-30	30-45		2-15	15-30	30-45		2-15	15-30	30-45		2-15	15-30	30-45	
15	20,000																			
20	17,900				18,500															
25	13,700	13,700			16,900															
30	12,700	12,700			13,100	13,100			13,400	13,400				16,900	16,900					
35	11,800	11,800			12,200	12,200			12,700	12,700				16,000	16,000					
40	11,000	9,700	9,700		11,500	10,000	10,000		12,000	12,000				12,400	12,400					
45	10,300	9,200	9,200		10,800	9,500	9,500		9,700	9,700	9,700			11,900	11,900					
50	9,700	8,800	7,700		10,300	9,100	7,900		9,300	9,300	9,300			9,600	9,600	9,600				
55	9,200	8,400	7,400		9,800	8,700	7,600		9,000	9,000	7,700			9,300	9,300	9,300				
60	8,700	8,100	7,000		9,300	8,400	7,300		8,700	8,700	7,500			10,500	10,500	7,600				
65	8,300	7,800	6,800		8,900	8,100	7,000		8,400	8,400	7,200			10,100	10,100	7,400				
70	8,000	7,500	6,600		8,500	7,900	6,800		9,000	9,000	7,000			9,800	9,800	7,200				
75	7,600	7,200	6,600		8,200	7,600	6,600		8,700	8,700	6,800			9,400	9,400	7,100				
80	7,300	7,000	6,600		7,900	7,400	6,500		8,400	8,400	6,700			9,100	9,100	6,900				
85	7,000	7,000			7,600	7,200	6,400		8,100	8,100	6,500			8,900	8,900	6,800				
90					7,300	7,000	6,400		7,900	7,900	6,500			8,600	8,600	6,700				
95					7,100	7,000			7,700	7,700	6,400			8,400	8,400	6,600				
100					7,000				7,400	7,400	6,400			8,200	8,200	6,500				
105									7,200	8,000	6,400			8,000	8,000	6,400				
110									7,000	7,200	6,400			7,200	7,200	6,400				
115									7,000	6,400	6,400			6,400	7,000	6,400				
120										5,700	6,400			6,200	6,400	6,400				
125										5,100	5,800			5,500	5,800	5,800				
130										4,500	5,100			4,800	5,100	5,100				
135										4,000	4,200			4,200	4,200	3,000				
140										3,500	3,700			3,700	2,400	3,000				
145															1,900	3,000				
150															1,500	3,000				
Min. Bm Ang./Cap.	0/7,000	0/7,000	0/6,600		0/6,700	0/6,800	0/6,400		0/5,800	0/6,000	0/6,400		0/3,300	0/3,400	0/3,600	35.0/0				
Radius (ft)	88.0	87.9	86.2		101.2	100.9	98.8		115.3	114.9	112.5		142.8	142.3	139.4	150.0				

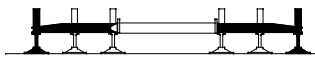
Not for crane operations

**This Page Left Blank Intentionally**

For sales use only

Not for crane operations

**Rated Lifting Capacities  
In Pounds**



**Full**

**17,000 lb**

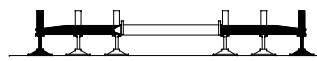


Load Radius (ft)	41.4 ft			55.0 ft			70.0 ft		
	$\Delta$ °	360°	Over Front	$\Delta$ °	360°	Over Front	$\Delta$ °	360°	Over Front
10	69.0	240,600	240,600	74.5	77,300	77,300	77.5	51,000	51,000
12	66.0	218,000	218,000	72.5	77,300	77,300	76.5	51,000	51,000
15	61.0	178,500	178,500	69.0	77,300	77,300	74.0	51,000	51,000
20	52.0	132,300	132,300	63.0	77,300	77,300	69.5	51,000	51,000
25	41.5	103,700	103,700	57.0	77,300	77,300	65.0	51,000	51,000
30	27.0	73,100	74,100	50.0	77,300	77,300	60.0	51,000	51,000
35				42.0	58,400	59,100	55.0	49,600	49,600
40				32.5	45,400	46,000	50.0	45,100	45,100
45				18.0	36,400	36,900	44.0	39,200	39,700
50							37.0	32,600	33,000
55							28.5	27,500	27,900
60							15.5	23,500	23,900
Min.Bm. Ang./Cap.	0.0	60,300	61,100	0.0	26,500	26,500	0.0	13,900	13,900
Radius (ft)	32.8			46.5			61.5		

Load Radius (ft)	85.0 ft			100.0 ft			115.0 ft		
	$\Delta$ °	360°	Over Front	$\Delta$ °	360°	Over Front	$\Delta$ °	360°	Over Front
15	76.5	51,200	51,200						
20	73.5	51,200	51,200	76.0	47,900	47,900			
25	70.0	51,200	51,200	73.5	47,900	47,900	76.0	48,100	48,100
30	66.5	51,200	51,200	70.5	43,600	43,600	73.5	44,400	44,400
35	62.5	46,700	46,700	67.5	39,300	39,300	71.0	40,100	40,100
40	58.5	42,300	42,300	64.0	35,600	35,600	68.5	36,500	36,500
45	54.5	38,800	38,800	61.0	32,500	32,500	65.5	33,300	33,300
50	50.0	33,300	33,700	57.5	29,800	29,800	63.0	30,600	30,600
55	45.0	28,300	28,700	54.0	27,500	27,500	60.0	28,200	28,200
60	39.5	24,300	24,700	50.0	24,700	25,100	56.5	24,400	24,700
65	33.5	21,100	21,400	46.0	21,500	21,900	53.5	21,200	21,500
70	25.5	18,400	18,700	41.5	18,900	19,200	50.0	18,600	18,900
75	14.0	16,200	16,500	36.5	16,800	17,000	46.5	16,500	16,800
80				30.5	14,800	15,100	42.5	14,700	14,900
85				23.5	13,200	13,400	38.5	13,000	13,200
90				13.0	11,800	12,000	34.0	11,600	11,800
95							28.5	10,300	10,500
100							22.0	9,200	9,400
105							12.0	8,200	8,400
Min.Bm. Ang./Cap.	0.0	11,800	11,800	0.0	9,400	9,400	0.0	7,800	7,800
Radius (ft)	76.5			91.5			106.5		

**Not for crane operations**

**Rated Lifting Capacities  
In Pounds**



**Full**

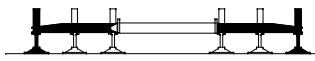
**17,000 lb**



Load Radius (ft)	130.0 ft			145.0 ft		
	$\Delta$ °	360°	Over Front	$\Delta$ °	360°	Over Front
25	77.5	37,100	37,100			
30	75.5	37,100	37,100	77.5	32,800	32,800
35	73.5	36,000	36,000	75.5	32,800	32,800
40	71.5	32,700	32,700	74.0	32,800	32,800
45	69.0	29,800	29,800	72.0	31,500	31,500
50	66.5	27,300	27,300	70.0	28,900	28,900
55	64.0	25,200	25,200	68.0	26,700	26,700
60	61.5	23,300	23,300	65.5	23,400	23,700
65	59.0	20,900	21,200	63.0	20,200	20,500
70	56.0	18,300	18,600	60.5	17,600	17,900
75	53.0	16,300	16,500	58.0	15,600	15,900
80	50.0	14,400	14,700	55.5	13,800	14,000
85	47.0	12,800	13,000	53.0	12,200	12,400
90	43.5	11,400	11,600	50.0	10,800	11,000
95	40.0	10,200	10,400	47.5	9,600	9,800
100	36.0	9,000	9,200	44.5	8,500	8,700
105	32.0	8,100	8,200	41.5	7,500	7,700
110	27.0	7,200	7,300	38.0	6,600	6,800
115	20.5	6,400	6,500	34.5	5,800	6,000
120	11.0	5,700	5,800	30.5	5,100	5,300
125				25.5	4,500	4,600
130				20.0	3,900	4,000
135				10.5	3,300	3,500
Min. Bm. Ang./Cap.	0.0	5,500	5,700	0.0	3,200	3,300
Radius (ft)		121.5			136.5	

Load Radius (ft)	155.0 ft			162.0 ft		
	$\Delta$ °	360°	Over Front	$\Delta$ °	360°	Over Front
35	77.0	28,900	28,900	77.0	26,100	26,100
40	75.5	28,900	28,900	76.0	26,100	26,100
45	73.5	28,900	28,900	74.5	26,100	26,100
50	72.0	27,200	27,200	72.5	26,100	26,100
55	70.0	25,100	25,100	71.0	24,100	24,100
60	68.0	23,000	23,200	69.0	22,200	22,200
65	65.5	19,800	20,100	67.0	19,600	19,900
70	63.0	17,200	17,500	64.5	17,100	17,200
75	61.0	15,300	15,500	62.5	15,000	15,300
80	58.5	13,400	13,600	60.5	13,200	13,400
85	56.5	11,800	12,000	58.0	11,600	11,800
90	54.0	10,400	10,600	56.0	10,200	10,400
95	51.5	9,200	9,400	53.5	9,000	9,200
100	48.5	8,100	8,300	51.0	7,900	8,100
105	46.0	7,200	7,300	48.5	6,900	7,100
110	43.0	6,300	6,500	46.0	6,100	6,200
115	40.0	5,500	5,700	43.0	5,300	5,500
120	37.0	4,800	4,900	40.5	4,600	4,700
125	33.5	4,100	4,300	37.0	3,900	4,100
130	29.5	3,500	3,700	34.0	3,300	3,500
135	25.0	3,000	3,100	30.5	2,800	2,900
140	19.5	2,500	2,600	26.0	2,300	2,400
145	10.5	2,100	2,200	21.0	1,800	2,000
150				14.5	1,400	1,500
Min. Bm. Ang./Cap.	0.0	2,000	2,100	0.0	1,200	1,300
Radius (ft)		146.5			153.5	

**Rated Lifting Capacities  
In Pounds**



**Full**

**17,000 lb**

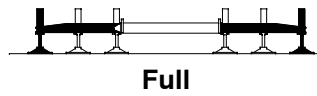


Load Radius (ft)	41.4 ft			55.0 ft			70.0 ft		
	$\Delta^\circ$	360°	Over Front	$\Delta^\circ$	360°	Over Front	$\Delta^\circ$	360°	Over Front
10	69.0	240,600	240,600	74.5	77,300	77,300	78.0	67,800	67,800
12	66.0	218,000	218,000	72.5	77,300	77,300	76.5	67,800	67,800
15	61.0	178,500	178,500	69.0	77,300	77,300	74.0	67,800	67,800
20	52.0	132,300	132,300	63.0	77,300	77,300	69.5	67,800	67,800
25	41.5	103,700	103,700	57.0	77,300	77,300	65.0	66,900	66,900
30	27.0	73,100	74,100	50.0	77,300	77,300	60.5	59,800	59,800
35				42.0	58,400	59,100	55.5	54,000	54,000
40				32.5	45,400	46,000	50.0	47,900	48,500
45				18.0	36,400	36,900	44.0	39,000	39,500
50							37.0	32,400	32,900
55							28.5	27,300	27,700
60							15.5	23,300	23,700
Min.Bm. Ang./Cap.	0.0	60,300	61,100	0.0	26,500	26,500	0.0	15,300	15,300
Radius (ft)		32.8			46.5			61.5	

Load Radius (ft)	85.0 ft			100.0 ft			115.0 ft		
	$\Delta^\circ$	360°	Over Front	$\Delta^\circ$	360°	Over Front	$\Delta^\circ$	360°	Over Front
15	77.0	68,100	68,100						
20	74.0	66,100	66,100	76.5	60,000	60,000			
25	70.0	58,200	58,200	73.5	53,400	53,400	76.5	49,300	49,300
30	66.5	51,700	51,700	70.5	47,700	47,700	73.5	44,100	44,100
35	62.5	46,400	46,400	67.5	43,100	43,100	71.0	39,800	39,800
40	58.5	42,100	42,100	64.5	39,300	39,300	68.5	36,100	36,100
45	54.5	38,600	38,600	61.0	36,000	36,000	65.5	33,000	33,000
50	50.0	33,200	33,600	57.5	33,100	33,100	63.0	30,300	30,300
55	45.0	28,200	28,500	54.0	28,300	28,700	60.0	27,900	27,900
60	39.5	24,200	24,500	50.0	24,300	24,700	57.0	24,000	24,400
65	33.5	20,900	21,200	46.0	21,200	21,500	53.5	20,900	21,200
70	25.5	18,300	18,500	41.5	18,500	18,800	50.0	18,300	18,500
75	14.0	16,100	16,400	36.5	16,400	16,600	46.5	16,200	16,500
80				30.5	14,500	14,700	42.5	14,300	14,600
85				23.5	12,800	13,000	38.5	12,700	12,900
90				13.0	11,400	11,600	34.0	11,300	11,500
95							28.5	10,000	10,200
100							22.0	8,900	9,100
105							12.0	7,900	8,100
Min.Bm. Ang./Cap.	0.0	12,900	12,900	0.0	10,600	10,600	0.0	7,700	7,900
Radius (ft)		76.5			91.5			106.5	

Not for crane operations

**Rated Lifting Capacities  
In Pounds**



**17,000 lb**

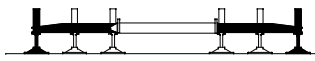


Load Radius (ft)	130.0 ft			140.0 ft			150.0 ft		
	$\Delta^\circ$	360°	Over Front	$\Delta^\circ$	360°	Over Front	$\Delta^\circ$	360°	Over Front
25	78.0	45,100	45,100						
30	76.0	43,200	43,200	77.5	37,200	37,200	78.0	31,900	31,900
35	74.0	39,100	39,100	75.5	37,200	37,200	76.5	31,900	31,900
40	71.5	35,700	35,700	73.5	34,900	34,900	75.0	31,900	31,900
45	69.5	32,700	32,700	71.5	32,000	32,000	73.0	30,000	30,000
50	67.0	30,100	30,100	69.5	29,400	29,400	71.0	27,500	27,500
55	64.5	27,400	27,800	67.0	26,900	27,100	69.0	25,300	25,300
60	61.5	23,500	23,800	64.5	23,000	23,400	67.0	22,600	23,000
65	59.0	20,300	20,600	62.0	19,900	20,200	64.5	19,500	19,800
70	56.0	17,700	18,000	59.5	17,300	17,600	62.0	17,100	17,200
75	53.0	15,700	16,000	57.0	15,300	15,500	60.0	14,900	15,200
80	50.0	13,800	14,100	54.0	13,400	13,700	57.5	13,100	13,300
85	47.0	12,200	12,500	51.5	11,800	12,100	55.0	11,500	11,700
90	43.5	10,800	11,100	48.5	10,400	10,700	52.5	10,100	10,300
95	40.0	9,600	9,800	45.5	9,200	9,400	49.5	8,900	9,100
100	36.0	8,500	8,700	42.0	8,100	8,300	47.0	7,800	8,000
105	32.0	7,500	7,700	39.0	7,200	7,300	44.0	6,800	7,000
110	27.0	6,600	6,800	35.0	6,300	6,400	41.0	6,000	6,100
115	21.0	5,800	6,000	31.0	5,500	5,600	37.5	5,200	5,300
120	11.5	5,100	5,300	26.0	4,800	4,900	34.0	4,500	4,600
125				20.5	4,100	4,300	30.0	3,800	4,000
130				11.0	3,500	3,700	25.5	3,200	3,400
135							19.5	2,700	2,800
140							11.0	2,200	2,300
Min.Bm. Ang./Cap.	0.0	5,000	5,100	0.0	3,400	3,500	0.0	2,100	2,200
Radius (ft)	121.5			131.5			141.5		

Not for crane operations



**Rated Lifting Capacities  
In Pounds**



**Full**

**17,000 lb**

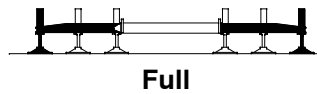


Load Radius (ft)	41.4 ft			55.0 ft			70.0 ft			85.0 ft		
	$\angle$ °	360°	Over Front	$\angle$ °	360°	Over Front	$\angle$ °	360°	Over Front	$\angle$ °	360°	Over Front
10	69.0	240,600	240,600	74.5	73,800	73,800	78.0	68,700	68,700			
12	66.0	218,000	218,000	72.5	73,800	73,800	76.5	68,700	68,700			
15	61.0	178,500	178,500	69.0	73,800	73,800	74.0	68,700	68,700	77.0	69,100	69,100
20	52.0	132,300	132,300	63.0	73,800	73,800	70.0	68,700	68,700	74.0	69,100	69,100
25	41.5	103,700	103,700	57.0	73,800	73,800	65.5	68,700	68,700	70.5	69,100	69,100
30	27.0	73,100	74,100	50.0	73,800	73,800	60.5	68,700	68,700	66.5	69,100	69,100
35				42.0	58,300	59,100	55.0	59,700	60,500	62.5	59,600	60,400
40				32.5	45,300	45,900	49.5	46,900	47,500	58.5	46,800	47,400
45				18.0	36,300	36,800	43.5	38,000	38,500	54.0	37,900	38,400
50							37.0	31,500	31,900	49.5	31,500	32,000
55							28.5	26,400	26,800	44.5	26,600	27,000
60							15.5	22,500	22,800	39.5	22,700	23,000
65										33.0	19,500	19,800
70										25.5	16,900	17,200
75										13.5	14,700	14,900
Min.Bm. Ang./Cap.	0.0	60,300	61,100	0.0	26,900	26,900	0.0	21,500	21,800	0.0	14,100	14,300
Radius (ft)	32.8			46.5			61.5			76.5		

Load Radius (ft)	100.0 ft			115.0 ft			124.7 ft		
	$\angle$ °	360°	Over Front	$\angle$ °	360°	Over Front	$\angle$ °	360°	Over Front
20	76.5	61,000	61,000						
25	73.5	59,400	59,400	76.5	55,300	55,300	78.0	51,000	51,000
30	70.5	52,800	52,800	74.0	49,400	49,400	75.5	45,400	45,400
35	67.5	47,500	47,500	71.5	44,400	44,400	73.5	40,600	40,600
40	64.5	43,000	43,000	68.5	40,200	40,200	71.0	36,500	36,500
45	61.0	37,600	38,100	66.0	36,700	36,700	68.5	32,900	32,900
50	57.5	31,300	31,700	63.0	30,600	31,000	66.0	29,900	29,900
55	53.5	26,300	26,700	60.0	25,600	26,000	63.0	25,300	25,600
60	49.5	22,500	22,800	56.5	21,800	22,100	60.0	21,400	21,800
65	45.5	19,300	19,600	53.5	18,700	19,000	57.0	18,300	18,600
70	41.0	16,900	17,100	50.0	16,200	16,500	54.0	15,900	16,200
75	36.0	14,600	14,900	46.5	14,100	14,300	51.0	13,800	14,000
80	30.5	12,700	13,000	42.5	12,200	12,500	48.0	11,900	12,200
85	23.5	11,100	11,300	38.5	10,600	10,900	44.5	10,400	10,600
90	12.5	9,700	9,900	34.0	9,200	9,400	41.0	9,000	9,200
95				28.5	8,000	8,200	37.0	7,700	7,900
100				22.0	6,900	7,100	32.5	6,600	6,800
105				12.0	5,900	6,100	27.5	5,700	5,800
110							21.0	4,800	5,000
115							10.5	4,000	4,200
Min.Bm. Ang./Cap.	0.0	9,300	9,500	0.0	5,700	5,900	0.0	3,900	4,000
Radius (ft)	91.5			106.5			116.2		

Not for crane operations

**Rated Lifting Capacities  
In Pounds**



**17,000 lb**

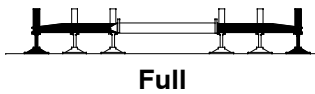


Load Radius (ft)	41.4 ft			55.0 ft			70.0 ft		
	$\Delta^\circ$	360°	Over Front	$\Delta^\circ$	360°	Over Front	$\Delta^\circ$	360°	Over Front
10	69.0	240,600	240,600	74.5	73,800	73,800	78.0	68,700	68,700
12	66.0	218,000	218,000	72.5	73,800	73,800	76.5	68,700	68,700
15	61.0	178,500	178,500	69.0	73,800	73,800	74.0	68,700	68,700
20	52.0	132,300	132,300	63.0	73,800	73,800	70.0	68,700	68,700
25	41.5	103,700	103,700	57.0	73,800	73,800	65.5	68,700	68,700
30	27.0	73,100	74,100	50.0	73,800	73,800	60.5	68,700	68,700
35				42.0	58,300	59,100	55.0	59,700	60,500
40				32.5	45,300	45,900	49.5	46,900	47,500
45				18.0	36,300	36,800	43.5	38,000	38,500
50							37.0	31,500	31,900
55							28.5	26,400	26,800
60							15.5	22,500	22,800
Min.Bm. Ang./Cap.	0.0	60,300	61,100	0.0	26,900	26,900	0.0	21,500	21,800
Radius (ft)	32.8			46.5			61.5		

Load Radius (ft)	85.0 ft			100.0 ft			112.0 ft		
	$\Delta^\circ$	360°	Over Front	$\Delta^\circ$	360°	Over Front	$\Delta^\circ$	360°	Over Front
15	77.0	64,900	64,900						
20	74.0	64,900	64,900	76.5	65,200	65,200	78.5	56,400	56,400
25	70.5	64,900	64,900	74.0	65,200	65,200	76.0	55,500	55,500
30	66.5	64,900	64,900	71.0	63,900	63,900	73.5	48,900	48,900
35	62.5	59,500	60,200	68.0	57,100	57,100	70.5	43,400	43,400
40	58.5	46,700	47,300	64.5	45,700	46,300	68.0	39,000	39,000
45	54.0	37,800	38,300	61.0	36,900	37,400	65.0	35,200	35,200
50	49.5	31,500	31,900	57.5	30,600	31,000	62.0	30,100	30,500
55	44.5	26,500	26,900	53.5	25,700	26,100	59.0	25,200	25,600
60	39.5	22,600	22,900	50.0	21,800	22,200	55.5	21,300	21,700
65	33.0	19,400	19,700	45.5	18,700	19,000	52.0	18,200	18,500
70	25.5	16,800	17,100	41.0	16,300	16,500	48.5	15,800	16,100
75	13.5	14,600	14,800	36.5	14,000	14,300	45.0	13,700	13,900
80				30.5	12,200	12,400	40.5	11,800	12,100
85				23.5	10,500	10,800	36.5	10,200	10,400
90				12.5	9,100	9,300	31.5	8,800	9,000
95							25.5	7,600	7,800
100							17.0	6,500	6,700
Min.Bm. Ang./Cap.	0.0	14,000	14,300	0.0	8,800	9,000	0.0	5,800	6,000
Radius (ft)	76.5			91.5			103.5		

Not for crane operations

**Rated Lifting Capacities  
In Pounds**



**17,000 lb**

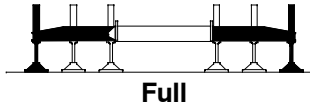


Load Radius (ft)	41.4 ft			55.5 ft		
	$\Delta^\circ$	360°	Over Front	$\Delta^\circ$	360°	Over Front
10	69.0	240,600	240,600	74.5	157,000	157,000
12	66.0	218,000	218,000	72.5	157,000	157,000
15	61.0	178,500	178,500	69.5	157,000	157,000
20	52.0	132,300	132,300	63.5	134,900	134,900
25	41.5	103,700	103,700	57.0	106,300	106,300
30	27.0	73,100	74,100	50.5	77,200	78,100
35				42.5	57,100	57,800
40				33.5	44,200	44,800
45				19.5	35,200	35,700
Min.Bm. Ang./Cap.	0.0	60,300	61,100	0.0	32,500	32,900
Radius (ft)		32.8			47.0	

Load Radius (ft)	70.4 ft			86.2 ft		
	$\Delta^\circ$	360°	Over Front	$\Delta^\circ$	360°	Over Front
10	78.5	151,100	151,100			
12	77.0	150,200	150,200			
15	74.5	135,800	135,800	78.0	105,500	105,500
20	70.0	116,900	116,900	74.5	89,800	89,800
25	65.5	102,400	102,400	71.0	77,900	77,900
30	60.5	77,700	78,700	67.0	68,500	68,500
35	55.5	57,600	58,300	63.5	56,700	57,400
40	50.0	44,900	45,500	59.0	44,100	44,700
45	44.0	36,100	36,600	55.0	35,400	35,900
50	37.0	29,700	30,200	50.5	29,100	29,500
55	29.0	24,700	25,100	45.5	24,300	24,600
60	17.0	20,800	21,100	40.5	20,400	20,800
65				34.5	17,400	17,600
70				27.5	14,700	15,000
75				17.5	12,500	12,800
Min.Bm. Ang./Cap.	0.0	19,600	19,900	0.0	11,500	11,800
Radius (ft)		61.9			77.7	

Not for crane operations

**Rated Lifting Capacities  
In Pounds**



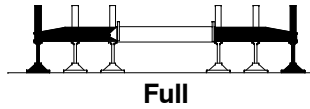
**17,000 lb**



Boom Length (ft)	41.4	55.0	70.0	85.0	100.0	115.0	130.0	145.0	155.0	162.0									
Load Radius (ft)	<p><b>10.0 ft Offset Fly</b></p>																		
10	51,800	51,800																	
12	47,300	51,800	48,600																
15	46,400	46,800	48,600	48,600															
20	45,200	45,700	45,200	44,000	45,100														
25	44,600	44,800	44,500	43,400	41,200	38,300	28,900												
30	44,600	44,400	43,900	43,000	39,200	38,300	28,900	25,600	22,400										
35	44,600	44,300	41,300	41,300	35,200	36,400	28,900	25,600	22,400										
40	44,600	44,300	37,400	37,400	32,200	33,200	28,900	25,600	22,400	20,000									
45		38,300	34,400	34,400	29,300	30,300	27,300	25,600	22,400	20,000									
50		31,900	31,600	31,600	26,800	27,800	24,900	25,600	22,400	20,000									
55		26,900	28,300	28,500	24,700	25,600	22,900	24,200	22,400	20,000									
60			24,300	24,500	22,900	23,700	21,100	22,500	21,200	20,000									
65			21,100	21,300	21,200	21,000	19,500	19,900	19,400	18,700									
70			18,500	18,600	18,800	18,300	18,000	17,200	17,000	16,800									
75				16,500	16,700	16,300	15,900	15,200	14,800	14,600									
80				14,600	14,800	14,400	14,100	13,400	13,000	12,700									
85				13,000	13,200	12,700	12,400	11,800	11,400	11,100									
90					11,700	11,300	11,000	10,300	10,000	9,700									
95					10,500	10,100	9,800	9,100	8,700	8,500									
100					9,400	9,000	8,700	8,000	7,600	7,400									
105						8,000	7,700	7,100	6,700	6,400									
110						7,200	6,800	6,200	5,800	5,600									
115						6,400	6,100	5,400	5,000	4,800									
120							5,400	4,700	4,300	4,100									
125							4,700	4,100	3,700	3,400									
130							4,100	3,500	3,100	2,900									
135								3,000	2,600	2,300									
140								2,400	2,100	1,800									
145								2,000	1,600	1,400									
Min.Bm. Ang./Cap.	0	34,200	0	18,300	0	10,600	0	9,000	0	7,300	0	6,000	0	4,000	0	1,900	18.5	28.0	
Radius (ft)	42.8	56.5	71.5	86.5	101.5	116.5	131.5	146.5	150.0	147.6									

Not for crane operations

**Rated Lifting Capacities  
In Pounds**



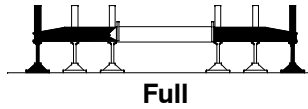
**17,000 lb**



Boom Length (ft)	41.4	55.0	70.0	85.0	100.0	115.0	130.0	140.0	150.0								
Load Radius (ft)	<p><b>10.0 ft Offset Fly</b></p>																
10	51,800	51,800															
12	47,300	51,800	51,800														
15	46,400	46,800	51,500	51,800													
20	45,200	45,700	45,400	44,400	48,000												
25	44,600	44,800	44,700	43,700	42,400	41,600	36,300										
30	44,600	44,400	44,100	43,200	41,800	40,000	36,300	29,900	25,400								
35	44,600	44,300	43,600	40,800	37,800	36,100	34,100	29,900	25,400								
40	44,600	44,300	39,700	37,000	34,500	33,000	32,200	29,900	25,400								
45		38,300	36,400	34,100	31,700	30,100	29,500	29,500	25,400								
50		31,900	33,100	31,300	29,200	27,600	27,100	27,100	25,400								
55		26,900	28,100	28,300	27,000	25,400	25,100	24,900	23,300								
60			24,100	24,400	24,300	23,500	23,200	22,700	21,500								
65			21,000	21,200	21,100	20,700	20,000	19,500	19,100								
70			18,300	18,500	18,400	18,000	17,400	17,100	16,700								
75				16,400	16,300	16,000	15,400	14,900	14,500								
80				14,500	14,400	14,100	13,500	13,100	12,700								
85				12,900	12,800	12,500	11,900	11,500	11,100								
90					11,400	11,100	10,500	10,100	9,700								
95					10,200	9,800	9,300	8,800	8,500								
100					9,100	8,700	8,200	7,700	7,400								
105						7,800	7,200	6,800	6,400								
110						6,900	6,300	5,900	5,500								
115						6,100	5,600	5,100	4,800								
120							4,900	4,400	4,100								
125							4,200	3,800	3,400								
130							3,600	3,200	2,800								
135								2,700	2,300								
140								2,200	1,800								
145									1,300								
Min.Bm. Ang./Cap.	0	34,200	0	18,300	0	11,500	0	9,800	0	8,100	0	6,000	0	3,500	0	2,100	15.5
Radius (ft)	42.8	56.5	71.5	86.5	101.5	116.5	131.5	141.5	146.9								

**Not for crane operations**

**Rated Lifting Capacities  
In Pounds**

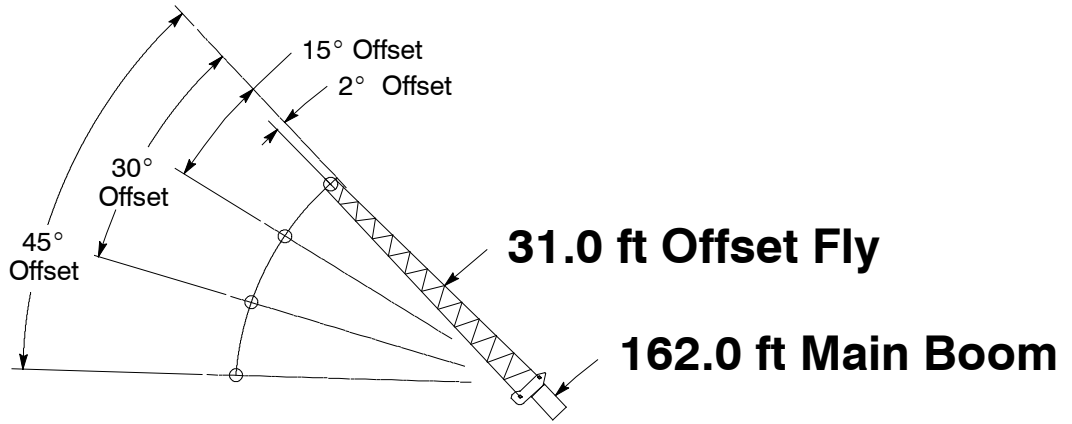


17,000 lb



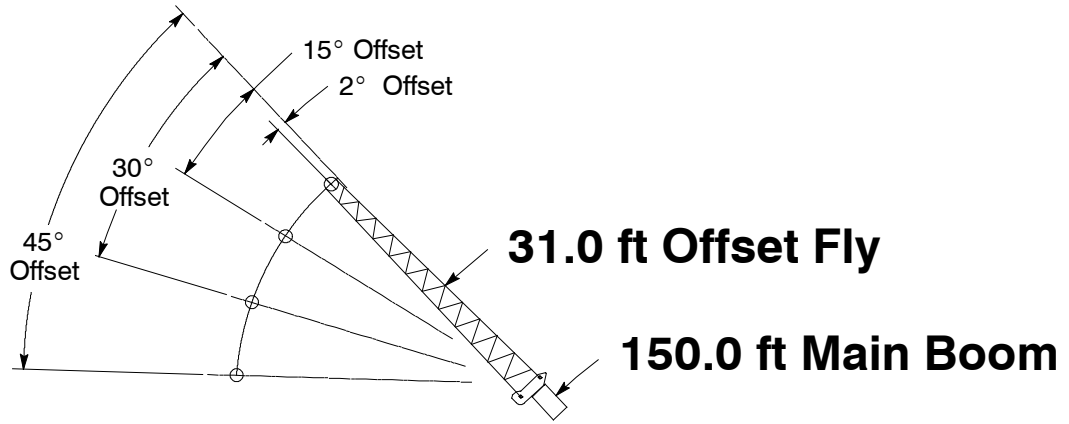
Boom Length (ft)	41.4	55.0	70.0	85.0	100.0	115.0	124.7							
Load Radius (ft)	<p><b>10.0 ft Offset Fly</b></p>													
10	51,800	51,800												
12	47,300	51,800	51,800											
15	46,400	46,800	51,800	51,800										
20	45,200	45,700	46,000	45,800	51,800									
25	44,600	44,900	45,100	45,000	44,300	50,700	43,400							
30	44,600	44,400	44,500	44,400	43,800	42,800	41,600							
35	44,600	44,300	44,100	44,000	41,300	40,100	37,300							
40	44,600	44,300	44,000	43,700	37,500	36,400	34,000							
45		38,300	38,800	38,400	34,500	33,400	31,000							
50		31,800	32,300	32,000	31,500	30,600	28,300							
55		26,900	27,300	27,000	26,500	25,700	25,200							
60			23,400	23,000	22,600	21,800	21,300							
65			20,200	19,800	19,400	18,600	18,200							
70			17,600	17,300	16,900	16,200	15,800							
75				15,100	14,700	14,000	13,600							
80				13,300	12,900	12,200	11,800							
85				11,700	11,300	10,600	10,200							
90					9,900	9,200	8,800							
95					8,700	8,000	7,600							
100					7,600	6,900	6,500							
105						5,900	5,600							
110						5,100	4,700							
115						4,300	4,000							
120							3,200							
125							2,700							
Min.Bm. Ang./Cap.	0	34,200	0	18,500	0	15,800	0	11,300	0	7,300	0	4,200	0	2,500
Radius (ft)	42.8		56.5		71.5		86.5		101.5		116.5		126.2	

Not for crane operations



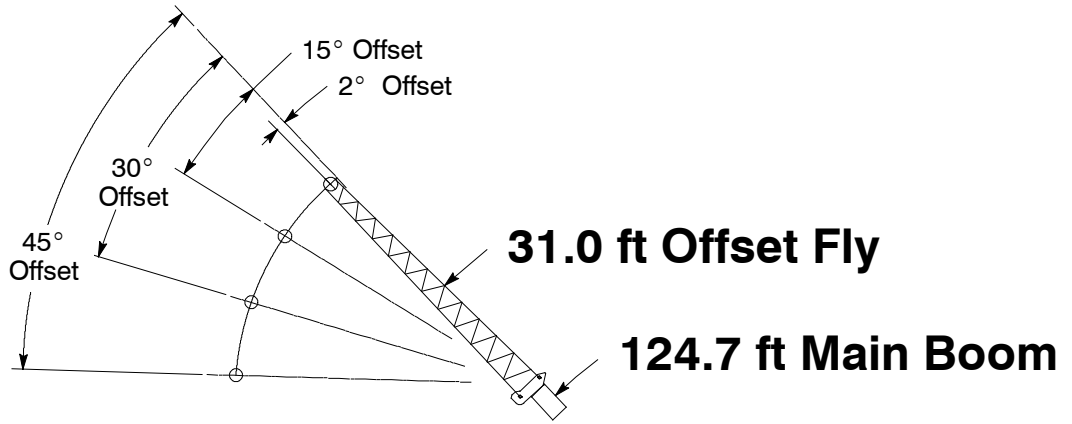
Rated Lifting Capacities In Pounds		Full		17,000 lb		EM 1		
								2° Offset
Load Radius (ft)	2° Offset		15° Offset		30° Offset		45° Offset	
	∠ °	360°	∠ °	360°	∠ °	360°	∠ °	360°
35	79.0	14,600						
40	78.0	14,600						
45	77.0	14,600	79.0	14,600				
50	75.5	14,600	78.0	14,600				
55	74.5	14,600	76.5	14,600	78.5	14,300		
60	73.0	14,600	75.5	14,600	77.5	14,100	79.0	13,200
65	72.0	14,600	74.0	14,600	76.0	14,000	77.5	13,100
70	70.5	14,600	73.0	14,600	74.5	13,800	76.5	13,100
75	69.5	14,600	71.5	14,600	73.5	13,700	75.0	13,000
80	67.5	13,100	70.0	13,900	72.0	13,600	73.5	12,900
85	65.5	11,500	68.0	12,200	70.5	13,000	72.0	12,800
90	63.5	10,100	66.0	10,800	68.5	11,500	70.0	12,000
95	61.5	8,800	64.0	9,500	66.5	10,100	68.0	10,600
100	60.0	7,700	62.0	8,300	64.5	8,900	66.0	9,300
105	58.0	6,800	60.0	7,300	62.5	7,800	64.0	8,200
110	56.0	5,900	58.0	6,400	60.5	6,900	61.5	7,200
115	54.0	5,100	56.0	5,600	58.0	6,000	59.5	6,300
120	52.0	4,400	54.0	4,800	56.0	5,200	57.5	5,500
125	50.0	3,700	52.0	4,100	54.0	4,500	55.0	4,700
130	47.5	3,200	49.5	3,500	51.5	3,900	52.5	4,000
135	45.5	2,600	47.5	3,000	49.5	3,200	50.0	3,400
140	43.0	2,100	45.0	2,400	47.0	2,700	47.5	2,800
145	40.5	1,700	42.5	1,900	44.5	2,200	45.0	2,300
150	38.0	1,200	40.0	1,500	41.5	1,700		
155					39.0	1,200		
Min. Bm. Ang./Cap.	37.0		37.5		38.0		37.5	
Radius (ft)	151.7		155.0		156.3		157.0	
Maximum Boom Length At 0° Boom Angle (ft)					133			

Not for crane operations



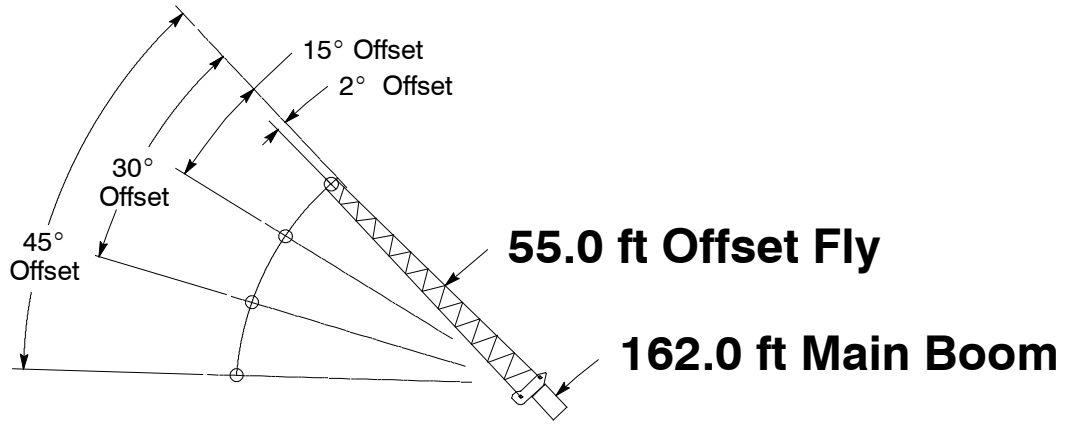
Rated Lifting Capacities In Pounds		Full		17,000 lb		EM 2		
		2° Offset		15° Offset		30° Offset		45° Offset
Load Radius (ft)	∠ °	360°	∠ °	360°	∠ °	360°	∠ °	360°
	35	79.0	17,600					
40	77.5	17,600						
45	76.0	17,600	78.5	17,300				
50	75.0	17,600	77.0	17,000	79.0	15,300		
55	73.5	17,600	75.5	16,700	77.5	15,000	79.5	13,900
60	72.0	17,600	74.0	16,400	76.5	14,800	78.0	13,700
65	71.0	17,600	72.5	16,200	74.5	14,600	76.5	13,600
70	69.0	17,000	71.0	15,900	73.0	14,400	75.0	13,500
75	67.0	15,100	69.5	15,700	71.5	14,300	73.5	13,400
80	65.0	13,200	67.5	14,000	70.0	14,100	71.5	13,300
85	63.0	11,500	65.5	12,300	68.0	13,000	70.0	13,200
90	61.0	10,100	63.5	10,800	66.0	11,500	68.0	12,000
95	59.0	8,900	61.5	9,500	64.0	10,100	65.5	10,600
100	57.0	7,800	59.5	8,400	61.5	8,900	63.5	9,300
105	55.0	6,800	57.5	7,400	59.5	7,900	61.0	8,200
110	53.0	6,000	55.0	6,400	57.5	6,900	58.5	7,200
115	50.5	5,200	53.0	5,600	55.0	6,000	56.5	6,300
120	48.5	4,500	50.5	4,900	52.5	5,200	54.0	5,500
125	46.0	3,800	48.0	4,200	50.0	4,500	51.0	4,700
130	43.5	3,200	45.5	3,600	47.5	3,900	48.5	4,000
135	41.0	2,700	43.0	3,000	45.0	3,300	45.5	3,400
140	38.0	2,200	40.5	2,500	42.0	2,700		
145	35.5	1,700	37.5	2,000	39.0	2,200		
150	32.0	1,300	34.5	1,500	35.5	1,700		
155					32.0	1,200		
Min.Bm. Ang./Cap.	30.5		31.0		31.0		30.5	
Radius (ft)	152.5		155.0		156.3		156.0	
Maximum Boom Length At 0° Boom Angle (ft)					130			



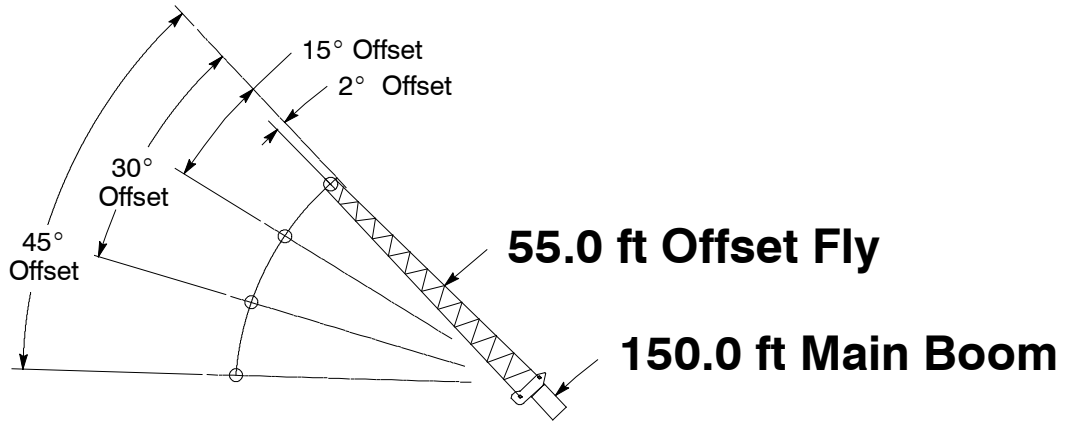


Rated Lifting Capacities In Pounds		Full		17,000 lb		EM 3		
		2° Offset		15° Offset				30° Offset
Load Radius (ft)	2° Offset		15° Offset		30° Offset		45° Offset	
	$\Delta$ °	360°	$\Delta$ °	360°	$\Delta$ °	360°	$\Delta$ °	360°
30	78.5	28,100						
35	77.0	27,000	79.0	20,400				
40	75.5	26,000	77.5	20,400				
45	73.5	24,900	75.5	19,300	78.0	16,600		
50	72.0	24,000	74.0	18,700	76.0	16,300	78.5	14,700
55	70.0	23,100	72.0	18,200	74.5	15,900	76.5	14,500
60	68.0	20,400	70.0	17,700	72.5	15,600	74.5	14,300
65	66.0	19,100	68.0	17,300	70.5	15,300	72.5	14,100
70	63.5	16,700	66.0	16,900	68.5	15,000	70.5	14,000
75	61.5	14,500	64.0	15,400	66.5	14,800	68.5	13,800
80	59.0	12,700	61.5	13,500	64.5	14,300	66.0	13,700
85	56.5	11,100	59.5	11,800	62.0	12,500	64.0	13,000
90	54.0	9,700	57.0	10,300	59.5	11,000	61.0	11,400
95	51.5	8,400	54.5	9,000	56.5	9,600	58.5	10,000
100	49.0	7,300	51.5	7,900	54.0	8,400	55.5	8,700
105	46.5	6,400	49.0	6,900	51.0	7,300	52.5	7,600
110	43.5	5,500	46.0	5,900	48.5	6,300	49.5	6,500
115	40.5	4,700	43.0	5,100	45.0	5,400	46.0	5,600
120	37.5	4,000	40.0	4,400	42.0	4,600		
125	34.0	3,400	36.5	3,700	38.0	3,900		
130	30.0	2,800	32.5	3,100	34.0	3,200		
135	26.0	2,300	28.0	2,500				
140	20.5	1,800	23.0	1,900				
145	13.0	1,400	15.0	1,400				
Min.Bm. Ang./Cap.	0.0	1,200	0.0	1,200	0.0	1,300	0.0	1,400
Radius (ft)	147.2		146.9		144.9		141.4	

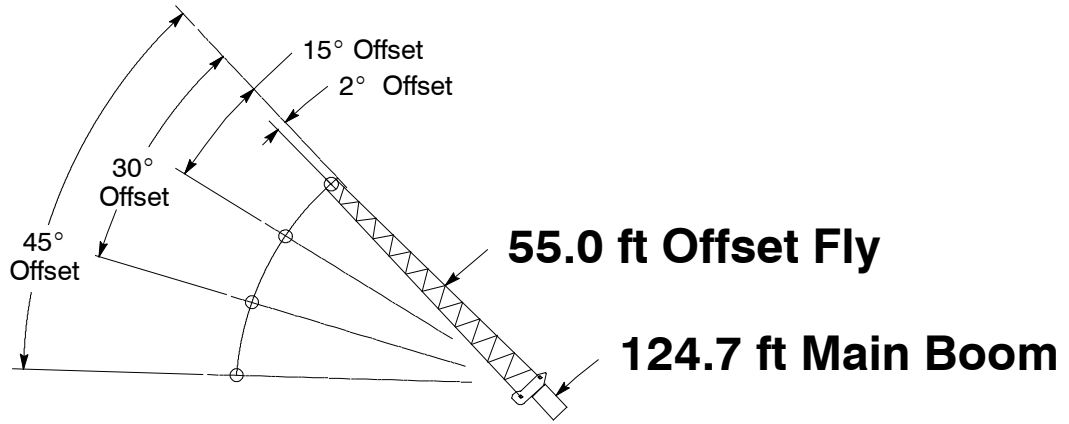
Not for crane operations



Rated Lifting Capacities In Pounds		Full		17,000 lb		EM 1		
		2° Offset		15° Offset		30° Offset		45° Offset
Load Radius (ft)	∠ °	360°	∠ °	360°	∠ °	360°	∠ °	360°
	40	79.5	10,600					
45	78.5	10,600						
50	77.5	10,600						
55	76.5	10,600						
60	75.5	10,600	78.5	9,700				
65	74.5	10,600	77.5	9,500				
70	73.5	10,500	76.5	9,400	79.5	8,300		
75	72.0	10,300	75.0	9,200	78.5	8,200		
80	71.0	10,200	74.0	9,000	77.0	8,100		
85	69.5	10,000	72.5	8,900	76.0	8,000	78.5	7,300
90	68.5	9,800	71.5	8,700	74.5	7,800	77.0	7,300
95	67.0	9,600	70.0	8,600	73.5	7,700	76.0	7,200
100	65.5	8,500	69.0	8,500	72.0	7,600	74.5	7,100
105	64.0	7,500	67.5	8,300	70.5	7,600	73.0	7,100
110	62.0	6,600	66.0	7,500	69.0	7,500	71.5	7,100
115	60.5	5,800	64.0	6,600	67.5	7,400	70.0	7,000
120	58.5	5,100	62.5	5,900	66.0	6,600	68.5	7,000
125	57.0	4,400	60.5	5,100	64.0	5,900	66.5	6,400
130	55.0	3,800	58.5	4,500	62.0	5,100	64.5	5,600
135	53.5	3,300	57.0	3,900	60.0	4,500	62.5	4,900
140	51.5	2,700	55.0	3,300	58.0	3,900	60.5	4,300
145	49.5	2,300	53.0	2,800	56.0	3,300	58.0	3,700
150	47.5	1,800	51.0	2,400	54.0	2,800	56.0	3,100
155	46.0	1,400	49.0	1,900	52.0	2,300	53.5	2,600
160			47.0	1,500	50.0	1,900	51.5	2,100
165					47.5	1,500	49.0	1,600
170							46.5	1,200
Min. Bm. Ang./Cap.	44.0		45.0		45.5		46.0	
Radius (ft)	160.0		165.0		170.0		171.0	
Maximum Boom Length At 0° Boom Angle (ft)			125					



Rated Lifting Capacities In Pounds		Full		17,000 lb		EM 2		
		2° Offset		15° Offset		30° Offset		45° Offset
Load Radius (ft)	∠ °		∠ °		∠ °		∠ °	
	360°	360°	360°	360°	360°	360°	360°	360°
40	79.5	12,700						
45	78.0	12,500						
50	77.0	12,200						
55	76.0	12,000	79.0	10,500				
60	74.5	11,700	78.0	10,300				
65	73.5	11,500	76.5	10,000				
70	72.0	11,200	75.5	9,800	79.0	8,600		
75	71.0	11,000	74.0	9,600	77.5	8,400		
80	69.5	10,700	72.5	9,400	76.0	8,300	79.0	7,600
85	68.0	10,500	71.5	9,200	74.5	8,200	77.5	7,500
90	66.5	10,200	70.0	9,000	73.0	8,000	76.0	7,400
95	65.0	9,700	68.5	8,900	71.5	7,900	74.5	7,400
100	63.5	8,600	67.0	8,700	70.0	7,800	73.0	7,300
105	61.5	7,600	65.5	8,500	68.5	7,700	71.5	7,200
110	60.0	6,700	63.5	7,600	67.0	7,600	69.5	7,200
115	58.0	5,900	61.5	6,700	65.5	7,500	68.0	7,200
120	56.0	5,200	60.0	6,000	63.5	6,700	66.0	7,100
125	54.0	4,600	58.0	5,200	61.5	5,900	64.0	6,400
130	52.0	4,000	56.0	4,600	59.5	5,200	62.0	5,600
135	50.0	3,400	54.0	4,000	57.0	4,600	59.5	4,900
140	48.0	2,900	52.0	3,400	55.0	4,000	57.0	4,300
145	46.0	2,400	49.5	2,900	53.0	3,400	54.5	3,700
150	44.0	2,000	47.5	2,500	50.5	2,900	52.0	3,100
155	42.0	1,600	45.0	2,000	48.0	2,400	49.5	2,600
160	39.5	1,200	43.0	1,600	45.5	1,900	46.5	2,000
165			40.5	1,200	43.0	1,500		
Min.Bm. Ang./Cap.	38.5		39.5		40.0		40.5	
Radius (ft)	161.7		166.7		170.0		170.0	
Maximum Boom Length At 0° Boom Angle (ft)					122			



Rated Lifting Capacities In Pounds		Full		17,000 lb		EM 3		
		2° Offset		15° Offset		30° Offset		45° Offset
Load Radius (ft)	∠ °	360°	∠ °	360°	∠ °	360°	∠ °	360°
	35	78.5	15,300					
40	77.5	14,800						
45	76.0	14,300	79.5	12,000				
50	74.5	13,800	78.0	11,600				
55	73.0	13,300	76.5	11,200				
60	71.5	12,800	75.0	10,900	79.0	9,300		
65	69.5	12,400	73.5	10,500	77.5	9,100		
70	68.0	12,000	72.0	10,200	76.0	8,900	79.0	8,000
75	66.5	11,600	70.0	9,900	74.0	8,700	77.5	7,800
80	65.0	11,200	68.5	9,700	72.5	8,500	75.5	7,700
85	63.0	10,800	67.0	9,400	70.5	8,300	74.0	7,600
90	61.5	10,500	65.0	9,200	69.0	8,200	72.0	7,600
95	59.5	9,500	63.0	9,000	67.0	8,000	70.0	7,500
100	57.5	8,400	61.5	8,800	65.0	7,900	68.0	7,400
105	55.0	7,400	59.5	8,300	63.0	7,800	66.0	7,400
110	53.0	6,600	57.0	7,400	61.0	7,700	63.5	7,300
115	51.0	5,800	55.0	6,500	59.0	7,200	61.5	7,300
120	48.5	5,000	52.5	5,700	56.5	6,400	59.0	6,800
125	46.0	4,400	50.0	5,000	54.0	5,600	56.0	6,000
130	43.5	3,800	47.5	4,300	51.0	4,900	53.0	5,200
135	41.0	3,200	45.0	3,700	48.5	4,200	50.0	4,400
140	38.5	2,700	42.5	3,200	45.5	3,600	46.5	3,700
145	35.5	2,300	39.5	2,700	42.0	3,000		
150	32.5	1,800	36.0	2,200	38.5	2,400		
155	29.0	1,400	32.5	1,700	35.0	1,900		
160			28.5	1,300	30.0	1,400		
Min.Bm. Ang./Cap.	25.5		26.0		21.5		16.5	
Radius (ft)	160.0		162.5		161.6		155.9	
Maximum Boom Length At 0° Boom Angle (ft)					110			

Not for crane operations

Rated Lifting Capacities In Pounds		10.0' Hydraulic Offset Fly										EM 1	360°				
		Full															
Load Radius (ft)	Boom Length (ft)										155.0	162.0					
	41.4	55.0	70.0	85.0	100.0	115.0	130.0	145.0	155.0	162.0							
10	51,800																
12	47,200	51,800	48,600														
15	46,200	46,700	48,600	48,600													
20	45,000	45,500	45,100	43,900	45,100												
25	44,400	44,700	44,300	43,300	41,100	38,100											
30	43,800	44,200	43,800	42,800	38,800	28,800	25,400										
35	42,100	44,100	40,900	40,900	34,800	28,800	25,400										
40	42,100	43,000	37,000	37,000	31,800	28,800	25,400										19,900
45		38,000	34,000	34,000	28,900	26,900	25,400										19,900
50		31,500	31,200	31,200	26,500	27,400	25,400										19,900
55		26,500	27,900	28,100	24,300	25,200	23,800										19,900
60			23,900	24,100	22,500	23,300	22,100										19,900
65			20,700	20,900	20,800	20,600	19,400										18,300
70			18,100	18,300	18,400	17,900	17,000										16,400
75				16,100	16,300	15,900	14,800										14,200
80				14,300	14,400	14,000	13,000										12,300
85				12,600	12,800	12,300	11,300										10,700
90					11,300	10,900	9,900										9,300
95					10,100	9,700	8,700										8,100
100					9,000	8,600	7,600										7,000
105						7,600	6,700										6,000
110						6,800	5,800										5,200
115						6,000	5,000										4,400
120							4,300										3,700
125							3,700										3,000
130							3,100										2,500
135							2,600										1,900
140							2,000										1,400
145							1,600										
Min.Bm. Ang./Cap.	0 / 33,900	0 / 17,900	0 / 10,100	0 / 8,600	0 / 6,800	0 / 5,600	0 / 3,600	0 / 1,500	24.0 / 0	31.5 / 0							
Radius (ft)	42.8	56.5	71.5	86.5	101.5	116.5	131.5	146.5	145.8	142.9							

**Rated Lifting Capacities In Pounds**

**10.0' Hydraulic Offset Fly**

2° - 45°

Full

17,000 lb

EM 2

360°

Load Radius (ft)	Boom Length (ft)																			
	41.4	55.0	70.0	85.0	100.0	115.0	130.0	140.0	150.0											
10.	51,800	51,800	51,800	51,800																
12	47,200	51,800	51,300	51,300																
15	46,200	46,700	45,300	45,300	47,800															
20	45,000	45,500	44,500	44,500	42,200	41,400														
25	44,400	44,700	43,900	43,900	41,400	39,600	36,100													
30	43,800	44,200	43,200	43,200	37,400	35,700	33,800	29,800												
35	42,100	44,100	39,200	39,200	34,300	32,600	31,800	29,800												
40	42,100	43,000	36,000	36,000	31,300	29,700	29,100	29,100												
45		38,000	36,000	33,700	28,800	27,200	26,700	26,700												
50		31,500	32,700	30,900	26,600	25,000	24,700	24,500												
55		26,500	27,700	27,900	23,900	23,000	22,800	22,300												
60			23,700	24,000	20,700	20,200	19,600	19,100												
65			20,600	20,800	18,000	17,600	17,100	16,700												
70			18,000	18,100																
75				16,000																
80				14,100																
85				12,500																
90																				
95																				
100																				
105																				
110																				
115																				
120																				
125																				
130																				
135																				
140																				
Min. Bm. Ang./Cap.	0 / 33,900	0 / 17,900	0 / 11,100	0 / 9,400	0 / 7,700	0 / 5,600	0 / 3,100	0 / 1,700	22.5 / 0											
Radius (ft)	42.8	56.5	71.5	86.5	101.5	116.5	131.5	141.5	142.5											

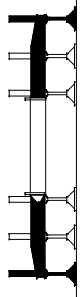
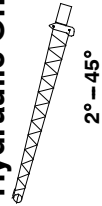
Not for crane operations

Rated Lifting Capacities In Pounds		10.0' Hydraulic Offset Fly							17,000 lb	EM 3	360°
		Full									
Load Radius (ft)	Boom Length (ft)							100.0	115.0	124.7	
	41.4	55.0	70.0	85.0	100.0	115.0	124.7				
10	51,800	51,800	51,800	51,800	51,800	51,800	51,800				
12	47,200	51,800	51,800	51,800	51,800	51,800	51,800				
15	46,200	46,700	51,800	51,800	51,800	51,800	51,800				
20	45,000	45,500	45,800	45,800	45,800	45,800	45,600	51,800	50,300	43,300	
25	44,400	44,700	45,000	45,000	45,000	45,000	44,900	44,200	42,700	41,200	
30	43,800	44,200	44,400	44,400	44,400	44,400	44,300	43,600	42,700	41,200	
35	42,100	44,100	44,000	43,800	43,800	43,800	43,800	40,900	39,700	36,900	
40	42,100	43,000	43,800	43,800	43,800	43,800	43,500	37,100	36,000	33,600	
45		37,900	38,400	38,400	38,400	38,400	38,000	34,200	33,000	30,600	
50		31,500	31,900	31,900	31,900	31,900	31,600	31,100	30,200	27,900	
55		26,500	26,900	26,900	26,900	26,900	26,600	26,100	25,300	24,800	
60			23,000	23,000	23,000	23,000	22,600	22,200	21,400	20,900	
65			19,800	19,800	19,800	19,800	19,400	19,000	18,200	17,800	
70			17,300	17,300	17,300	17,300	16,900	16,500	15,800	15,400	
75							14,700	14,300	13,600	13,200	
80							12,900	12,500	11,800	11,400	
85							11,300	10,900	10,200	9,800	
90								9,500	8,800	8,400	
95								8,300	7,600	7,200	
100								7,200	6,500	6,100	
105									5,500	5,200	
110									4,700	4,300	
115									3,900	3,600	
120										2,800	
125										2,300	
Min.Bm. Ang./Cap.	0 / 33,900	0 / 18,100	0 / 15,400	0 / 10,900	0 / 6,900	0 / 3,800	0 / 2,100				
Radius (ft)	42.8	56.5	71.5	86.5	101.5	116.5	126.2				

Not for crane operations

### 31.0' Hydraulic Offset Fly

Rated Lifting Capacities  
In Pounds



17,000 lb


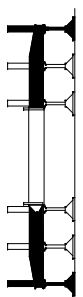





Load Radius (ft)	Boom Length (ft)														
	41.4			70.3			100.0			130.6			162.0		
	2-15	15-30	30-45	2-15	15-30	30-45	2-15	15-30	30-45	2-15	15-30	30-45	2-15	15-30	30-45
15	26,300	26,300		33,900			23,200								
20	23,800	23,800		25,100	25,100		23,200								
25	20,500	17,800	17,800	23,500	23,500		23,200								
30	19,000	16,800	15,300	20,700	17,700	17,700	22,300	23,200							
35	17,700	15,900	14,700	19,700	17,000	15,200	16,900	16,900	16,900	16,900	16,900	16,900	18,300	18,300	
40	16,600	15,200	14,000	18,700	16,400	14,800	16,500	16,500	14,800	14,800	14,800	15,900	17,900	15,900	14,400
45	15,700	14,600	13,400	17,900	15,800	14,500	16,000	16,000	14,500	14,500	14,500	15,600	17,600	15,600	14,400
50	14,900	14,200	13,000	17,100	15,300	14,000	15,600	15,600	14,300	14,300	14,300	15,300	17,200	15,300	14,400
55	14,300	13,800	12,800	16,400	14,900	13,600	15,300	15,300	14,000	14,000	14,000	15,100	16,900	15,100	14,400
60	13,900	13,700	12,800	15,800	14,500	13,300	15,000	15,000	13,600	13,600	13,600	14,800	16,600	14,800	14,400
65				15,300	14,200	13,000	14,700	14,700	13,400	13,400	13,400	14,600	16,200	14,600	14,400
70				14,800	14,000	12,800	14,400	14,400	13,100	13,100	13,100	14,400	15,900	14,400	14,400
75				14,400	13,800	12,700	14,200	14,200	12,900	12,900	12,900	14,200	14,800	14,400	14,400
80				14,100	13,700	12,700	14,000	14,000	12,800	12,800	12,800	13,900	13,700	12,700	12,700
85				13,800	13,600	12,700	13,800	13,800	12,600	12,600	12,600	12,900	12,600	11,100	11,100
90				12,600	12,400		12,600	12,600	12,600	12,600	12,600	11,800	11,200	11,800	10,400
95							10,900	11,300	11,700	11,700	11,700	10,400	9,900	10,400	9,200
100							9,800	10,100	10,400	10,400	10,400	9,300	8,800	9,300	8,000
105							8,800	9,100	9,300	9,300	9,300	8,300	7,800	8,300	7,000
110							8,000	8,200	8,300	8,300	8,300	7,300	6,900	7,300	6,100
115							7,200	7,300	7,300	7,300	7,300	6,500	6,100	6,500	5,200
120							6,500	6,400	6,400	6,400	6,400	5,800	5,400	5,800	4,500
125												5,100	4,800	5,100	3,800
130												4,400	4,200	4,400	3,200
135												3,900	3,600	3,900	2,600
140												3,300	3,200	3,300	2,100
145												2,800	2,700	2,800	1,600
150												2,300	2,300	2,300	1,200
Min. Bm. Ang./Cap.	0/13,700	0/13,700	0/12,800	0/6,100	0/6,100	0/6,400	0/4,000	0/4,100	0/4,300	0/4,300	0/4,300	0/2,100	0/2,100	0/2,100	40.5/0
Radius (ft)	64.0	64.0	62.9	92.9	92.7	91.2	122.6	122.3	120.5	120.5	120.5	152.9	153.2	152.9	147.5
															151.0
															153.0



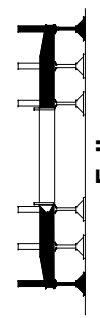
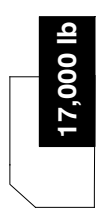
### Rated Lifting Capacities In Pounds

### 31.0' Hydraulic Offset Fly

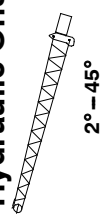






Load Radius (ft)	Boom Length (ft)																			
	41.4				67.3				94.0				121.6				150.0			
	2-15	15-30	30-45	2-15	15-30	30-45	2-15	15-30	30-45	2-15	15-30	30-45	2-15	15-30	30-45	2-15	15-30	30-45		
15	26,300	26,300		34,400																
20	23,800	23,800		25,200	25,200		30,200													
25	20,500	17,800	17,800	23,500	23,500		23,600													
30	19,000	16,800	15,300	22,000	17,700	17,700	22,500	23,600			19,800			19,800						
35	17,700	15,900	14,700	19,600	16,900	15,200	21,500	17,100	17,100		19,300			19,300						
40	16,600	15,200	14,000	18,700	16,300	14,800	19,200	16,600	14,900	16,400	18,800			16,400			17,300			
45	15,700	14,600	13,400	17,800	15,700	14,400	18,500	16,100	14,600	14,500	18,300			16,100			17,000			
50	14,900	14,200	13,000	17,000	15,200	13,900	17,900	15,700	14,300	14,300	17,900			15,700			16,700		15,000	
55	14,300	13,800	12,800	16,300	14,800	13,500	17,300	15,300	14,000	14,100	17,400			15,400			16,500		13,600	
60	13,900	13,700	12,800	15,700	14,400	13,200	16,800	15,000	13,700	13,800	17,000			15,100			16,200		13,400	
65				15,100	14,100	13,000	16,300	14,700	13,400	13,500	16,600			14,800			15,900		13,200	
70				14,700	13,900	12,800	15,800	14,400	13,100	13,300	16,200			14,600			15,700		13,000	
75				14,300	13,800	12,800	15,400	14,200	12,900	13,100	15,600			14,400			14,700		12,900	
80				14,000	13,700	12,800	15,000	14,000	12,800	12,900	14,200			14,200			12,800		12,700	
85				13,800	13,700		13,600	13,800	12,700	12,800	12,600			13,200			11,200		12,600	
90							12,100	12,600	12,600	12,300	11,200			11,800			9,800		11,200	
95							10,900	11,300	11,600	10,900	9,900			10,500			8,600		9,800	
100							9,800	10,100	10,300	9,700	8,800			9,300			7,500		8,600	
105							8,800	9,000	9,200	8,600	7,800			8,300			6,500		7,600	
110							7,900	8,100		7,700	7,000			7,300			5,600		6,600	
115							7,200	7,200		6,800	6,200			6,500			4,800		5,700	
120										6,000	5,500			5,700			4,100		4,900	
125										5,200	4,800			5,100			3,500		4,200	
130										4,500	4,200			4,400			2,900		3,500	
135											3,700			3,800			2,300		2,900	
140											3,200			3,300			1,900		2,400	
145																	1,400		1,800	
150																			1,300	
Min. Bm. Ang./Cap.	0/13,700	0/13,700	0/12,800	0/6,900	0/7,000	0/7,200	0/5,000	0/5,000	0/5,300	0/2,900	0/2,900	0/2,900	0/2,900	0/2,900	0/3,000	34.5/0	35.5/0		35.5/0	
Radius (ft)	64.0	64.0	62.9	89.9	89.7	88.2	116.6	116.3	114.6	144.2	144.2	143.9	143.9	143.9	142.0	148.8	151.3		152.0	

### 31.0' Hydraulic Offset Fly



**Rated Lifting Capacities  
In Pounds**



2°-45°

Load Radius (ft)	Boom Length (ft)																				
	41.4				54.6				68.7				96.3				124.7				
	2-15	15-30	30-45		2-15	15-30	30-45		2-15	15-30	30-45		2-15	15-30	30-45		2-15	15-30	30-45		
15	26,300	26,300			27,100	27,100			34,700	25,600	25,600		24,600	24,600			27,800	20,200	20,200		
20	23,800	23,800			24,800	24,800			25,600	23,800	23,800		24,600	23,400			22,200	17,600	17,600		
25	20,500	17,800	17,800	18,300	18,300	18,300	18,300	23,800	23,800	23,800	18,300	23,800	24,600	23,400	24,600	24,600	20,100	17,000	15,100	15,100	16,800
30	19,000	16,800	15,300	15,500	17,400	15,500	15,500	22,300	22,300	17,900	17,900	17,900	23,400	23,400	17,900	17,900	19,300	16,500	14,800	14,800	14,700
35	17,700	15,900	14,700	15,000	16,600	15,000	15,000	20,000	20,000	15,300	15,300	15,300	22,200	22,200	15,300	15,300	18,600	16,100	14,600	14,600	14,500
40	16,600	15,200	14,000	14,600	15,900	14,600	14,600	19,000	19,000	14,900	14,900	14,900	20,100	20,100	14,900	14,900	17,900	15,700	14,200	14,200	14,300
45	15,700	14,600	13,400	13,400	17,000	15,300	14,000	18,100	18,100	14,500	14,500	14,500	19,300	19,300	14,500	14,500	17,300	15,300	13,900	13,900	14,000
50	14,900	14,200	13,000	13,000	16,200	14,800	13,600	17,200	17,200	14,100	14,100	14,100	18,600	18,600	14,100	14,100	16,700	15,000	13,600	13,600	13,700
55	14,300	13,800	12,800	12,800	15,500	14,400	13,200	16,500	16,500	13,600	13,600	13,600	17,900	17,900	13,600	13,600	16,200	14,700	13,300	13,300	13,500
60	13,900	13,700	12,800	12,800	14,800	14,100	12,900	15,900	15,900	13,300	13,300	13,300	17,300	17,300	13,300	13,300	16,400	14,400	13,100	13,100	13,300
65					14,300	13,800	12,800	15,300	15,300	13,000	13,000	13,000	16,700	16,700	13,000	13,000	16,400	14,200	12,900	12,900	13,100
70					14,000	13,800	12,800	14,800	14,800	12,800	12,800	12,800	16,200	16,200	12,800	12,800	16,400	14,700	13,300	13,300	13,200
75					13,800	13,800		14,400	14,400	12,800	12,800	12,800	15,700	15,700	12,800	12,800	14,200	14,400	13,100	13,100	11,500
80								14,100	14,100	13,800	13,800	13,800	13,900	14,200	14,200	13,900	12,300	12,300	12,900	12,900	11,500
85								13,400	13,400	13,700	13,700	13,700	12,300	12,300	12,800	12,800	10,700	10,700	12,800	12,800	12,200
90								12,000	12,000	12,100	12,100	12,100	10,900	11,400	11,800	11,800	9,300	9,300	11,800	11,800	10,700
95													9,600	10,000	10,400	10,400	8,100	8,100	10,400	10,400	9,300
100													8,500	8,900	9,200	9,200	7,000	7,000	9,200	9,200	8,100
105													7,600	7,800	8,100	8,100	6,000	6,000	8,100	8,100	7,000
110													6,700	6,900			5,200	5,200	6,900	6,900	6,000
115													5,900	6,100			4,400	4,400	6,100	6,100	5,100
120																	3,700	3,700	4,000	4,000	4,300
125																	3,100	3,100	3,400	3,400	3,600
130																	2,500	2,500	2,700	2,700	2,900
135																	1,900	1,900	2,200	2,200	2,200
140																	1,500	1,500	1,600	1,600	1,600
Min. Bm. Ang./Cap.	0/13,700	0/13,700	0/12,800	0/11,200	0/10,700	0/10,700	0/11,200	0/9,100	0/9,100	0/9,300	0/9,300	0/9,700	0/5,400	0/5,500	0/5,700	0/5,700	16.5/0	16.5/0	16.5/0	16.5/0	16.5/0
Radius (ft)	64.0	64.0	62.9	75.8	77.1	77.1	75.8	91.3	91.3	91.1	91.1	89.6	118.9	118.6	116.9	116.9	144.0	143.3	143.3	143.3	141.5

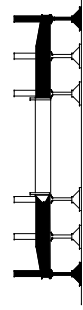
Rated Lifting Capacities In Pounds		55.0' Hydraulic Offset Fly												EM 1		360°			
		2° - 45°				Full				17,000 lb									
Load Radius (ft)	Offset In°	Boom Length (ft)																	
		41.4				70.3				100.0				130.6				162.0	
		2-15	15-30	30-45	2-15	15-30	30-45	2-15	15-30	30-45	2-15	15-30	30-45	2-15	15-30	30-45	2-15	15-30	30-45
15	20,000																		
20	17,900	17,800																	
25	13,700	16,800																	
30	12,700	15,700	15,100																
35	11,800	12,400	14,500	12,400															
40	11,000	11,800	11,800	11,800	11,800														
45	10,300	9,200	11,200	9,600	11,400	9,600													
50	9,700	8,800	10,700	9,300	10,900	9,300	9,300												
55	9,200	8,400	10,200	8,900	10,600	7,700	7,700	9,100											
60	8,700	8,100	9,700	8,600	10,200	7,400	7,400	8,800	8,800										
65	8,300	7,800	9,400	8,400	9,800	7,200	7,200	8,600	8,600	8,600									
70	8,000	7,500	9,000	8,100	9,500	7,000	7,000	8,400	8,400	7,100	7,100								
75	7,600	7,200	8,700	7,900	9,200	6,800	6,800	8,200	8,200	7,000	7,000	8,200							
80	7,300	7,000	8,400	7,700	9,000	6,600	6,600	8,000	8,000	6,800	6,800	8,100	8,100						
85	7,000	7,000	8,100	7,500	8,700	6,500	6,500	7,800	7,800	6,700	6,700	7,900	7,900						
90			7,900	7,300	8,500	6,400	6,400	7,700	7,700	6,600	6,600	7,800	7,800						
95			7,700	7,100	8,300	6,400	6,400	7,600	7,600	6,500	6,500	7,700	7,700						
100			7,400	7,000	8,100	6,400	6,400	7,400	7,400	6,400	6,400	7,500	7,500						
105			7,200	6,900	7,900	6,400	6,400	7,300	7,300	6,300	6,300	7,400	7,400						
110			7,000	6,900	7,700	6,400	6,400	7,100	7,100	6,300	6,300	7,300	7,300						
115			6,900	6,900	7,600	6,900	6,900	7,000	7,000	6,300	6,300	7,200	7,200						
120					7,300			6,900	6,900	6,300	6,300	6,800	6,800						
125					6,700			6,800	6,800	6,300	6,300	6,100	6,100						
130					6,000			6,400	6,400	6,300	6,300	5,500	5,500						
135					5,500			5,700	5,700	5,900	5,900	4,800	4,800						
140					5,000			5,200	5,200			4,300	4,300						
145					4,600			4,600	4,600			3,800	3,800						
150												3,000	3,000						
155												2,600	2,600						
160												2,200	2,200						
165												1,800	1,800						
170												1,500	1,500						
175												1,200	1,200						
Min.Bm. Ang./Cap.	0/7,000	0/3,900	0/6,600	0/3,900	0/2,400	0/4,200	0/4,200	0/2,500	0/2,500	0/2,600	0/2,600	14.5/0	14.5/0	48.0/0	49.0/0	49.5/0	155.0	161.3	166.3
Radius (ft)	88.0	87.9	86.2	116.9	146.6	114.0	146.6	146.0	146.0	143.0	143.0	175.6	170.7	173.1	173.1	173.1	155.0	161.3	166.3

### Rated Lifting Capacities In Pounds

### 55.0' Hydraulic Offset Fly



2°-45°



Full



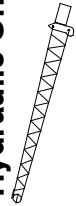
17,000 lb



Load Radius (ft)	Boom Length (ft)																													
	41.4						67.3						94.0						121.6						150.0					
	2-15	15-30	30-45	2-15	15-30	30-45	2-15	15-30	30-45	2-15	15-30	30-45	2-15	15-30	30-45	2-15	15-30	30-45	2-15	15-30	30-45	2-15	15-30	30-45						
15	20,000																													
20	17,900			18,100																										
25	13,700	13,700		16,900																										
30	12,700	12,700		13,200	13,200		15,700																							
35	11,800	11,800		12,400	12,400		15,000																							
40	11,000	9,700	9,700	11,800	11,800		12,000																							
45	10,300	9,200	9,200	11,200	9,600	9,600	11,500	11,500	11,400	11,400	11,400	11,400	12,200	12,000																
50	9,700	8,800	7,700	10,600	9,200	9,200	11,000	9,400	11,000	9,400	9,400	11,000	12,000	12,000																
55	9,200	8,400	7,400	10,100	8,900	7,700	10,600	9,100	10,700	9,100	9,100	10,700	12,000	12,000																
60	8,700	8,100	7,000	9,700	8,600	7,400	10,200	8,900	10,400	7,500	7,500	10,400	12,000	12,000																
65	8,300	7,800	6,800	9,300	8,300	7,200	9,900	8,600	10,100	7,300	7,300	10,100	12,000	12,000																
70	8,000	7,500	6,600	8,900	8,100	7,000	9,500	8,400	9,800	7,200	7,200	9,800	12,000	12,000																
75	7,600	7,200	6,600	8,600	7,900	6,800	9,200	8,200	9,500	7,000	7,000	9,500	12,000	12,000																
80	7,300	7,000	6,600	8,300	7,700	6,600	8,900	8,000	9,300	6,800	6,800	9,300	12,000	12,000																
85	7,000	7,000		8,000	7,500	6,500	8,700	7,800	9,000	6,700	6,700	9,000	12,000	12,000																
90				7,800	7,300	6,400	8,400	7,700	8,800	6,600	6,600	8,800	12,000	12,000																
95				7,600	7,100	6,400	8,200	7,500	8,600	6,500	6,500	8,600	12,000	12,000																
100				7,300	7,000	6,400	8,000	7,400	8,400	6,400	6,400	8,400	12,000	12,000																
105				7,100	6,900	6,400	7,800	7,200	8,200	6,400	6,400	8,200	12,000	12,000																
110				6,900	6,900		7,700	7,100	7,800	6,300	6,300	7,800	12,000	12,000																
115							7,500	7,000	7,500	6,300	6,300	7,500	12,000	12,000																
120							7,300	6,900	7,300	6,300	6,300	7,300	12,000	12,000																
125							6,700	6,800	6,700	6,300	6,300	6,700	12,000	12,000																
130							6,100	6,400	6,100	6,300	6,300	6,100	12,000	12,000																
135							5,600	5,700	5,600	6,300	6,300	5,600	12,000	12,000																
140							5,100		4,500	5,300	5,300	4,500	12,000	12,000																
145									4,000	4,700	4,700	4,000	12,000	12,000																
150									3,500	4,100	4,100	3,500	12,000	12,000																
155									3,100	3,500	3,500	3,100	12,000	12,000																
160									2,700	3,000	3,000	2,700	12,000	12,000																
165									2,300	2,500	2,500	2,300	12,000	12,000																
Min. Em. Ang./Cap.	0/7,000	0/7,000	0/6,600	0/4,400	0/4,500	0/4,800	0/3,100	0/3,200	0/1,700	0/1,800	0/1,900	0/1,700	0/1,800	0/1,800	0/1,900	43.5/0	44.0/0	44.0/0	43.5/0	44.0/0	44.0/0	44.0/0	44.0/0	44.0/0	44.0/0					
Radius (ft)	88.0	87.9	86.2	113.9	113.5	111.1	140.6	140.0	168.2	137.1	140.0	168.2	167.5	167.5	164.2	157.5	162.5	162.5	157.5	162.5	162.5	162.5	162.5	162.5	166.3					

# 55.0' Hydraulic Offset Fly

Rated Lifting Capacities  
In Pounds



17,000 lb



Load Radius (ft)	Boom Length (ft)																			
	41.4				54.6				68.7				96.3				124.7			
	2-15	15-30	30-45		2-15	15-30	30-45		2-15	15-30	30-45		2-15	15-30	30-45		2-15	15-30	30-45	
15	20,000																			
20	17,900				18,500															
25	13,700	13,700			16,900															
30	12,700	12,700			13,100	13,100			17,900											
35	11,800	11,800			12,200	12,200			16,900	16,900										
40	11,000	9,700	9,700		11,500	10,000	10,000		12,400	12,400	12,400									
45	10,300	9,200	9,200		10,800	9,500	9,500		11,900	11,900	11,900	11,700								
50	9,700	8,800	7,700		10,300	9,100	7,900		11,400	11,400	9,600	11,300								
55	9,200	8,400	7,400		9,800	8,700	7,600		10,900	10,900	9,300	11,000								
60	8,700	8,100	7,000		9,300	8,400	7,300		10,500	10,500	7,600	9,000								
65	8,300	7,800	6,800		8,900	8,100	7,000		10,100	10,100	7,400	8,800								
70	8,000	7,500	6,600		8,500	7,900	6,800		9,800	9,800	7,200	8,600								
75	7,600	7,200	6,600		8,200	7,600	6,600		9,400	9,400	7,100	8,400								
80	7,300	7,000	6,600		7,900	7,400	6,500		9,100	9,100	6,900	8,300								
85	7,000	7,000			7,600	7,200	6,400		8,900	8,900	6,800	8,100								
90					7,300	7,000	6,400		8,600	8,600	6,700	7,900								
95					7,100	7,000			8,400	8,400	6,600	7,800								
100					7,000				8,200	8,200	6,500	7,700								
105									8,000	8,000	6,400	7,600								
110									7,800	7,800	6,400	7,500								
115									7,700	7,700	6,400	7,400								
120									7,400	7,400	6,400	7,500								
125									7,200	7,200	6,400	7,300								
130									7,000	7,000	6,400	7,200								
135									6,800	6,800	6,400	7,100								
140									6,600	6,600	6,400	7,000								
145									6,400	6,400	6,400	6,900								
150									6,300	6,300	6,400	6,800								
155									5,700	5,700	6,400	6,100								
Min. Bm. Ang./Cap.	0/7,000	0/7,000	0/6,600		0/6,700	0/6,800	0/6,400		0/5,800	0/6,000	0/6,400	0/3,900								
Radius (ft)	88.0	87.9	86.2		101.2	100.9	98.8		115.3	114.9	112.5	142.3								
									142.9	142.9	139.4	159.0								
									0/3,800	0/6,400	0/4,100	0/3,900								
									0/3,800	0/6,400	0/4,100	0/3,900								
									1,600	1,900	1,900	1,600								
									1,200	1,500	1,500	1,200								
									31.0/0	31.5/0	31.5/0	31.5/0								
									156.3	159.0	159.0	156.3								
									155.0	155.0	155.0	155.0								

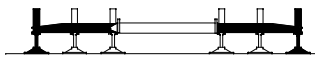
Not for crane operations

**This Page Left Blank Intentionally**

For sales use only

Not for crane operations

**Rated Lifting Capacities  
In Pounds**



**Full**

**26,000 lb**

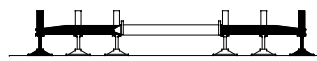


Load Radius (ft)	41.4 ft			55.0 ft			70.0 ft		
	$\Delta$ °	360°	Over Front	$\Delta$ °	360°	Over Front	$\Delta$ °	360°	Over Front
9	70.5	260,000	260,000						
10	69.0	240,600	240,600	74.5	77,300	77,300	77.5	51,000	51,000
12	66.0	218,000	218,000	72.5	77,300	77,300	76.5	51,000	51,000
15	61.0	184,400	184,400	69.0	77,300	77,300	74.0	51,000	51,000
20	52.0	136,800	136,800	63.0	77,300	77,300	69.5	51,000	51,000
25	41.5	107,300	107,300	57.0	77,300	77,300	65.0	51,000	51,000
30	27.0	84,400	85,300	50.0	77,300	77,300	60.0	51,000	51,000
35				42.0	67,100	67,800	55.0	49,600	49,600
40				32.5	52,400	53,000	50.0	45,100	45,100
45				18.0	42,300	42,800	44.0	41,400	41,400
50							37.0	37,700	38,100
55							28.5	32,100	32,400
60							15.5	27,600	27,900
Min.Bm. Ang./Cap.	0.0	63,500	63,500	0.0	26,500	26,500	0.0	13,900	13,900
Radius (ft)	32.8			46.5			61.5		

Load Radius (ft)	85.0 ft			100.0 ft			115.0 ft		
	$\Delta$ °	360°	Over Front	$\Delta$ °	360°	Over Front	$\Delta$ °	360°	Over Front
15	76.5	51,200	51,200						
20	73.5	51,200	51,200	76.0	47,900	47,900			
25	70.0	51,200	51,200	73.5	47,900	47,900	76.0	48,100	48,100
30	66.5	51,200	51,200	70.5	43,600	43,600	73.5	44,400	44,400
35	62.5	46,700	46,700	67.5	39,300	39,300	71.0	40,100	40,100
40	58.5	42,300	42,300	64.0	35,600	35,600	68.5	36,500	36,500
45	54.5	38,800	38,800	61.0	32,500	32,500	65.5	33,300	33,300
50	50.0	35,700	35,700	57.5	29,800	29,800	63.0	30,600	30,600
55	45.0	32,900	33,000	54.0	27,500	27,500	60.0	28,200	28,200
60	39.5	28,400	28,800	50.0	25,500	25,500	57.0	26,200	26,200
65	33.5	24,800	25,100	46.0	23,700	23,700	53.5	24,300	24,300
70	26.0	21,800	22,000	41.5	22,100	22,100	50.5	21,900	22,200
75	14.0	19,300	19,500	36.5	19,700	20,000	46.5	19,500	19,700
80				31.0	17,600	17,800	43.0	17,400	17,600
85				24.0	15,800	16,100	38.5	15,700	15,900
90				13.0	14,200	14,500	34.0	14,100	14,300
95							29.0	12,600	12,800
100							22.5	11,400	11,600
105							12.0	10,300	10,500
Min.Bm. Ang./Cap.	0.0	11,800	11,800	0.0	9,400	9,400	0.0	7,800	7,800
Radius (ft)	76.5			91.5			106.5		

Not for crane operations

**Rated Lifting Capacities  
In Pounds**



**Full**

**26,000 lb**

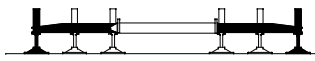


Load Radius (ft)	130.0 ft			145.0 ft		
	$\Delta$ °	360°	Over Front	$\Delta$ °	360°	Over Front
25	77.5	37,100	37,100			
30	75.5	37,100	37,100	77.5	32,800	32,800
35	73.5	36,000	36,000	75.5	32,800	32,800
40	71.5	32,700	32,700	74.0	32,800	32,800
45	69.0	29,800	29,800	72.0	31,500	31,500
50	66.5	27,300	27,300	70.0	28,900	28,900
55	64.0	25,200	25,200	68.0	26,700	26,700
60	61.5	23,300	23,300	65.5	24,700	24,700
65	59.0	21,600	21,600	63.5	22,900	22,900
70	56.0	20,300	20,300	61.0	21,000	21,300
75	53.5	18,900	18,900	58.5	18,500	18,800
80	50.5	17,200	17,300	56.0	16,600	16,900
85	47.5	15,500	15,700	53.5	14,800	15,100
90	44.0	13,900	14,100	50.5	13,300	13,500
95	40.5	12,500	12,700	48.0	11,900	12,100
100	36.5	11,200	11,400	45.0	10,700	10,900
105	32.0	10,100	10,300	41.5	9,600	9,800
110	27.0	9,100	9,300	38.5	8,600	8,800
115	21.0	8,300	8,400	34.5	7,700	7,900
120	11.5	7,500	7,600	30.5	6,900	7,000
125				26.0	6,200	6,300
130				20.0	5,500	5,600
135				11.0	4,900	5,000
Min Bm. Ang./Cap.	0.0	6,000	6,000	0.0	4,600	4,600
Radius (ft)		121.5			136.5	

Load Radius (ft)	155.0 ft			162.0 ft		
	$\Delta$ °	360°	Over Front	$\Delta$ °	360°	Over Front
35	77.0	28,900	28,900	77.0	26,100	26,100
40	75.5	28,900	28,900	76.0	26,100	26,100
45	73.5	28,900	28,900	74.5	26,100	26,100
50	72.0	27,200	27,200	72.5	26,100	26,100
55	70.0	25,100	25,100	71.0	24,100	24,100
60	68.0	23,200	23,200	69.0	22,200	22,200
65	66.0	21,500	21,500	67.0	20,700	20,700
70	63.5	20,100	20,100	65.0	19,200	19,200
75	61.5	18,100	18,400	63.0	17,900	17,900
80	59.0	16,300	16,500	61.0	16,000	16,300
85	56.5	14,500	14,700	58.5	14,200	14,500
90	54.5	12,900	13,100	56.5	12,700	12,900
95	52.0	11,500	11,700	54.0	11,300	11,500
100	49.0	10,300	10,500	51.5	10,100	10,300
105	46.5	9,200	9,400	49.0	9,000	9,200
110	43.5	8,300	8,400	46.5	8,000	8,200
115	40.5	7,400	7,500	43.5	7,200	7,300
120	37.5	6,600	6,700	41.0	6,400	6,500
125	34.0	5,800	6,000	37.5	5,600	5,800
130	30.0	5,200	5,300	34.5	5,000	5,100
135	25.5	4,600	4,700	30.5	4,400	4,500
140	19.5	4,000	4,100	26.5	3,800	3,900
145	11.0	3,500	3,600	21.5	3,300	3,400
150				15.0	2,800	2,900
Min Bm. Ang./Cap.	0.0	3,400	3,500	0.0	2,600	2,700
Radius (ft)		146.5			153.5	



**Rated Lifting Capacities  
In Pounds**



**Full**

**26,000 lb**

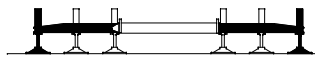


Load Radius (ft)	41.4 ft			55.0 ft			70.0 ft		
	$\Delta$ °	360°	Over Front	$\Delta$ °	360°	Over Front	$\Delta$ °	360°	Over Front
9	70.5	260,000	260,000						
10	69.0	240,600	240,600	74.5	77,300	77,300	78.0	67,800	67,800
12	66.0	218,000	218,000	72.5	77,300	77,300	76.5	67,800	67,800
15	61.0	184,400	184,400	69.0	77,300	77,300	74.0	67,800	67,800
20	52.0	136,800	136,800	63.0	77,300	77,300	69.5	67,800	67,800
25	41.5	107,300	107,300	57.0	77,300	77,300	65.0	66,900	66,900
30	27.0	84,400	85,300	50.0	77,300	77,300	60.5	59,800	59,800
35				42.0	67,100	67,800	55.5	54,000	54,000
40				32.5	52,400	53,000	50.0	49,300	49,300
45				18.0	42,300	42,800	44.0	44,900	45,300
50							37.0	37,500	38,000
55							28.5	31,900	32,300
60							15.5	27,400	27,800
Min.Bm. Ang./Cap.	0.0	63,500	63,500	0.0	26,500	26,500	0.0	15,300	15,300
Radius (ft)	32.8			46.5			61.5		

Load Radius (ft)	85.0 ft			100.0 ft			115.0 ft		
	$\Delta$ °	360°	Over Front	$\Delta$ °	360°	Over Front	$\Delta$ °	360°	Over Front
15	77.0	68,100	68,100						
20	74.0	66,100	66,100	76.5	60,000	60,000			
25	70.0	58,200	58,200	73.5	53,400	53,400	76.5	49,300	49,300
30	66.5	51,700	51,700	70.5	47,700	47,700	73.5	44,100	44,100
35	62.5	46,400	46,400	67.5	43,100	43,100	71.0	39,800	39,800
40	58.5	42,100	42,100	64.5	39,300	39,300	68.5	36,100	36,100
45	54.5	38,600	38,600	61.0	36,000	36,000	65.5	33,000	33,000
50	50.0	35,500	35,500	57.5	33,100	33,100	63.0	30,300	30,300
55	45.0	32,700	32,800	54.0	30,600	30,600	60.0	27,900	27,900
60	40.0	28,300	28,600	50.5	28,400	28,500	57.0	25,900	25,900
65	33.5	24,600	24,900	46.0	24,800	25,100	54.0	24,000	24,000
70	26.0	21,600	21,900	41.5	21,900	22,200	50.5	21,600	21,900
75	14.0	19,100	19,400	36.5	19,400	19,600	47.0	19,100	19,400
80				31.0	17,300	17,500	43.0	17,200	17,300
85				24.0	15,500	15,700	39.0	15,300	15,600
90				13.0	13,900	14,100	34.0	13,700	13,900
95							29.0	12,300	12,500
100							22.5	11,100	11,300
105							12.0	10,000	10,200
Min.Bm. Ang./Cap.	0.0	12,900	12,900	0.0	10,600	10,600	0.0	8,800	8,800
Radius (ft)	76.5			91.5			106.5		

Not for crane operations

**Rated Lifting Capacities  
In Pounds**



**Full**

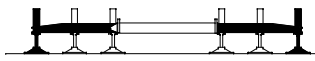
**26,000 lb**



Load Radius (ft)	130.0 ft			140.0 ft			150.0 ft		
	$\Delta$ °	360°	Over Front	$\Delta$ °	360°	Over Front	$\Delta$ °	360°	Over Front
25	78.0	45,100	45,100						
30	76.0	43,200	43,200	77.5	37,200	37,200	78.0	31,900	31,900
35	74.0	39,100	39,100	75.5	37,200	37,200	76.5	31,900	31,900
40	71.5	35,700	35,700	73.5	34,900	34,900	75.0	31,900	31,900
45	69.5	32,700	32,700	71.5	32,000	32,000	73.0	30,000	30,000
50	67.0	30,100	30,100	69.5	29,400	29,400	71.0	27,500	27,500
55	64.5	27,800	27,800	67.0	27,100	27,100	69.0	25,300	25,300
60	62.0	25,800	25,800	64.5	25,000	25,000	67.0	23,400	23,400
65	59.5	24,000	24,000	62.5	23,200	23,200	65.0	21,700	21,700
70	56.5	21,100	21,400	60.0	20,600	20,900	62.5	20,200	20,200
75	53.5	18,600	18,900	57.0	18,200	18,400	60.0	17,800	18,100
80	50.5	16,700	16,900	54.5	16,300	16,500	58.0	15,900	16,200
85	47.5	14,900	15,100	51.5	14,500	14,700	55.5	14,100	14,400
90	44.0	13,300	13,500	49.0	12,900	13,100	52.5	12,600	12,800
95	40.5	11,900	12,100	46.0	11,600	11,800	50.0	11,200	11,400
100	36.5	10,700	10,900	42.5	10,300	10,500	47.5	10,000	10,200
105	32.0	9,600	9,800	39.0	9,200	9,400	44.5	8,900	9,100
110	27.5	8,600	8,800	35.5	8,300	8,400	41.5	7,900	8,100
115	21.0	7,700	7,900	31.5	7,400	7,500	38.0	7,100	7,200
120	11.5	6,900	7,100	26.5	6,600	6,700	34.5	6,300	6,400
125				20.5	5,800	6,000	30.5	5,500	5,700
130				11.5	5,200	5,300	26.0	4,900	5,000
135							20.0	4,300	4,400
140							11.0	3,700	3,800
Min.Bm. Ang./Cap.	0.0	6,700	6,900	0.0	5,000	5,200	0.0	3,600	3,700
Radius (ft)		121.5			131.5			141.5	

Not for crane operations

**Rated Lifting Capacities  
In Pounds**



**Full**

**26,000 lb**

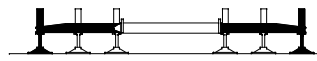


Load Radius (ft)	41.4 ft			55.0 ft			70.0 ft			85.0 ft		
	$\Delta^\circ$	360°	Over Front	$\Delta^\circ$	360°	Over Front	$\Delta^\circ$	360°	Over Front	$\Delta^\circ$	360°	Over Front
9	70.5	260,000	260,000									
10	69.0	240,600	240,600	74.5	73,800	73,800	78.0	68,700	68,700			
12	66.0	218,000	218,000	72.5	73,800	73,800	76.5	68,700	68,700			
15	61.0	184,400	184,400	69.0	73,800	73,800	74.0	68,700	68,700	77.0	69,100	69,100
20	52.0	136,800	136,800	63.0	73,800	73,800	70.0	68,700	68,700	74.0	69,100	69,100
25	41.5	107,300	107,300	57.0	73,800	73,800	65.5	68,700	68,700	70.5	69,100	69,100
30	27.0	84,400	85,300	50.0	73,800	73,800	60.5	68,700	68,700	66.5	69,100	69,100
35				42.0	67,000	67,800	55.5	68,400	68,700	63.0	65,300	65,300
40				32.5	52,400	53,000	50.0	53,900	54,500	58.5	53,800	54,400
45				18.0	42,300	42,800	44.0	44,000	44,500	54.5	43,900	44,400
50							37.0	36,600	37,000	50.0	36,600	37,000
55							28.5	31,000	31,400	45.0	31,200	31,500
60							15.5	26,500	26,900	39.5	26,800	27,100
65										33.5	23,100	23,500
70										25.5	20,200	20,500
75										14.0	17,700	18,000
Min.Bm. Ang./Cap.	0.0	63,500	63,500	0.0	26,900	26,900	0.0	21,900	21,900	0.0	17,100	17,400
Radius (ft)	32.8			46.5			61.5			76.5		

Load Radius (ft)	100.0 ft			115.0 ft			124.7 ft		
	$\Delta^\circ$	360°	Over Front	$\Delta^\circ$	360°	Over Front	$\Delta^\circ$	360°	Over Front
20	76.5	61,000	61,000						
25	73.5	59,400	59,400	76.5	55,300	55,300	78.0	51,000	51,000
30	70.5	52,800	52,800	74.0	49,400	49,400	75.5	45,400	45,400
35	67.5	47,500	47,500	71.5	44,400	44,400	73.5	40,600	40,600
40	64.5	43,000	43,000	68.5	40,200	40,200	71.0	36,500	36,500
45	61.0	39,400	39,400	66.0	36,700	36,700	68.5	32,900	32,900
50	57.5	36,200	36,200	63.0	33,600	33,600	66.0	29,900	29,900
55	54.0	30,900	31,300	60.0	30,200	30,600	63.0	27,200	27,200
60	50.0	26,500	26,900	57.0	25,800	26,200	60.5	24,900	24,900
65	46.0	23,000	23,300	54.0	22,300	22,600	57.5	22,000	22,300
70	41.5	20,100	20,400	50.5	19,400	19,700	54.5	19,100	19,400
75	36.5	17,600	17,900	46.5	17,200	17,300	51.5	16,800	17,100
80	30.5	15,600	15,800	43.0	15,100	15,300	48.0	14,800	15,000
85	23.5	13,800	14,000	39.0	13,300	13,500	45.0	13,000	13,200
90	13.0	12,200	12,400	34.0	11,700	11,900	41.0	11,500	11,700
95				29.0	10,300	10,500	37.0	10,100	10,300
100				22.5	9,100	9,300	32.5	8,800	9,000
105				12.5	8,000	8,200	27.5	7,700	7,900
110							21.0	6,800	6,900
115							11.0	5,900	6,100
Min.Bm. Ang./Cap.	0.0	11,800	12,000	0.0	7,700	7,900	0.0	5,700	5,900
Radius (ft)	91.5			106.5			116.2		

Not for crane operations

**Rated Lifting Capacities  
In Pounds**



**Full**

**26,000 lb**

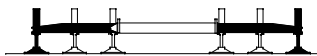


Load Radius (ft)	41.4 ft			55.0 ft			70.0 ft		
	$\Delta$ °	360°	Over Front	$\Delta$ °	360°	Over Front	$\Delta$ °	360°	Over Front
9	70.5	260,000	260,000						
10	69.0	240,600	240,600	74.5	73,800	73,800	78.0	68,700	68,700
12	66.0	218,000	218,000	72.5	73,800	73,800	76.5	68,700	68,700
15	61.0	184,400	184,400	69.0	73,800	73,800	74.0	68,700	68,700
20	52.0	136,800	136,800	63.0	73,800	73,800	70.0	68,700	68,700
25	41.5	107,300	107,300	57.0	73,800	73,800	65.5	68,700	68,700
30	27.0	84,400	85,300	50.0	73,800	73,800	60.5	68,700	68,700
35				42.0	67,000	67,800	55.5	68,400	68,700
40				32.5	52,400	53,000	50.0	53,900	54,500
45				18.0	42,300	42,800	44.0	44,000	44,500
50							37.0	36,600	37,000
55							28.5	31,000	31,400
60							15.5	26,500	26,900
Min.Bm. Ang./Cap.	0.0	63,500	63,500	0.0	26,900	26,900	0.0	21,900	21,900
Radius (ft)	32.8			46.5			61.5		

Load Radius (ft)	85.0 ft			100.0 ft			112.0 ft		
	$\Delta$ °	360°	Over Front	$\Delta$ °	360°	Over Front	$\Delta$ °	360°	Over Front
15	77.0	64,900	64,900						
20	74.0	64,900	64,900	76.5	65,200	65,200	78.5	56,400	56,400
25	70.5	64,900	64,900	74.0	65,200	65,200	76.0	55,500	55,500
30	66.5	64,900	64,900	71.0	63,900	63,900	73.5	48,900	48,900
35	63.0	64,900	64,900	68.0	57,100	57,100	70.5	43,400	43,400
40	58.5	53,700	54,300	64.5	51,300	51,300	68.0	39,000	39,000
45	54.5	43,800	44,300	61.0	42,900	43,400	65.0	35,200	35,200
50	49.5	36,500	36,900	57.5	35,600	36,100	62.0	31,900	31,900
55	45.0	31,100	31,500	54.0	30,300	30,600	59.0	29,100	29,100
60	39.5	26,700	27,000	50.0	25,900	26,200	56.0	25,400	25,800
65	33.0	23,100	23,400	46.0	22,400	22,700	52.5	21,900	22,200
70	25.5	20,100	20,400	41.5	19,500	19,800	49.0	19,000	19,300
75	14.0	17,600	17,900	36.5	17,100	17,300	45.0	16,800	17,000
80				31.0	15,000	15,200	41.0	14,700	14,900
85				23.5	13,200	13,400	36.5	12,900	13,100
90				13.0	11,600	11,800	31.5	11,300	11,500
95							25.5	9,900	10,100
100							17.5	8,700	8,900
Min.Bm. Ang./Cap.	0.0	17,000	17,300	0.0	11,200	11,400	0.0	7,900	8,100
Radius (ft)	76.5			91.5			103.5		

Not for crane operations

**Rated Lifting Capacities  
In Pounds**



**Full**

**26,000 lb**

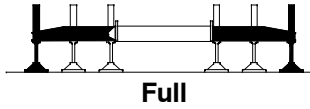


Load Radius (ft)	41.4 ft			55.5 ft		
	$\angle$ °	360°	Over Front	$\angle$ °	360°	Over Front
9	70.5	260,000	260,000			
10	69.0	240,600	240,600	74.5	157,000	157,000
12	66.0	218,000	218,000	72.5	157,000	157,000
15	61.0	184,400	184,400	69.5	157,000	157,000
20	52.0	136,800	136,800	63.5	139,400	139,400
25	41.5	107,300	107,300	57.5	110,000	110,000
30	27.0	84,400	85,300	50.5	88,400	89,300
35				42.5	65,800	66,500
40				33.5	51,300	51,900
45				20.0	41,200	41,700
Min.Bm. Ang./Cap.	0.0	63,500	63,500	0.0	38,100	38,600
Radius (ft)		32.8			47.0	

Load Radius (ft)	70.4 ft			86.2 ft		
	$\angle$ °	360°	Over Front	$\angle$ °	360°	Over Front
10	78.5	151,100	151,100			
12	77.0	150,200	150,200			
15	74.5	135,800	135,800	78.0	105,500	105,500
20	70.0	116,900	116,900	74.5	89,800	89,800
25	65.5	102,400	102,400	71.0	77,900	77,900
30	60.5	88,900	89,800	67.0	68,500	68,500
35	55.5	66,300	67,000	63.5	61,000	61,000
40	50.0	52,000	52,500	59.5	51,200	51,800
45	44.0	42,100	42,600	55.0	41,300	41,800
50	37.5	34,800	35,300	50.5	34,300	34,700
55	29.0	29,300	29,700	46.0	28,800	29,200
60	17.0	24,900	25,200	40.5	24,500	24,800
65				34.5	20,900	21,300
70				27.5	18,000	18,300
75				17.5	15,600	15,900
Min.Bm. Ang./Cap.	0.0	23,500	23,800	0.0	14,500	14,700
Radius (ft)		61.9			77.7	

**Not for crane operations**

**Rated Lifting Capacities  
In Pounds**



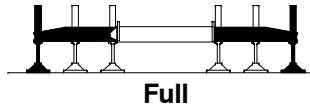
**26,000 lb**



Boom Length (ft)	41.4	55.0	70.0	85.0	100.0	115.0	130.0	145.0	155.0	162.0										
Load Radius (ft)	<p><b>10.0 ft Offset Fly</b> Offset 2°, 15°, 30°, 45°</p>																			
10	51,800	51,800																		
12	47,300	51,800	48,600																	
15	46,400	46,800	48,600	48,600																
20	45,200	45,700	45,200	44,000	45,100															
25	44,600	44,800	44,500	43,400	41,200	38,300	28,900													
30	44,600	44,400	43,900	43,000	39,200	38,300	28,900	25,600	22,400											
35	44,600	44,300	41,300	41,300	35,200	36,400	28,900	25,600	22,400											
40	44,600	44,300	37,400	37,400	32,200	33,200	28,900	25,600	22,400	20,000										
45		44,300	34,400	34,400	29,300	30,300	27,300	25,600	22,400	20,000										
50		37,000	31,600	31,600	26,800	27,800	24,900	25,600	22,400	20,000										
55		31,400	29,300	29,100	24,700	25,600	22,900	24,200	22,400	20,000										
60			27,200	27,000	22,900	23,700	21,100	22,500	21,200	20,000										
65			24,800	25,000	21,200	22,000	19,500	20,900	19,600	18,700										
70			21,800	22,000	19,800	20,400	18,100	19,400	18,100	17,000										
75				19,500	18,500	19,100	17,100	18,100	17,100	16,300										
80				17,400	17,300	17,200	15,900	16,200	15,800	15,100										
85				15,700	15,800	15,400	14,900	14,400	14,000	13,800										
90					14,200	13,800	13,500	12,800	12,400	12,200										
95					12,800	12,400	12,100	11,500	11,100	10,800										
100					11,600	11,200	10,900	10,200	9,800	9,600										
105						10,100	9,800	9,100	8,800	8,500										
110						9,100	8,800	8,200	7,800	7,500										
115						8,300	7,900	7,300	6,900	6,700										
120							7,100	6,500	6,100	5,900										
125							6,400	5,800	5,400	5,200										
130							5,800	5,100	4,700	4,500										
135								4,500	4,100	3,900										
140								3,900	3,600	3,300										
145								3,500	3,100	2,800										
150									2,600	2,400										
155									2,200	1,900										
160										1,500										
Min. Bm. Ang./Cap.	0	34,200	0	18,300	0	10,600	0	9,000	0	7,300	0	6,000	0	4,600	0	3,400	0	2,100	0	1,300
Radius (ft)	42.8	56.5	71.5	86.5	101.5	116.5	131.5	146.5	156.5	163.5										

Not for crane operations

**Rated Lifting Capacities  
In Pounds**



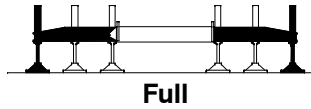
**26,000 lb**



Boom Length (ft)	41.4	55.0	70.0	85.0	100.0	115.0	130.0	140.0	150.0									
Load Radius (ft)	<p><b>10.0 ft Offset Fly</b> Offset 2°, 15°, 30°, 45°</p>																	
10	51,800	51,800																
12	47,300	51,800	51,800															
15	46,400	46,800	51,500	51,800														
20	45,200	45,700	45,400	44,400	48,000													
25	44,600	44,800	44,700	43,700	42,400	41,600	36,300											
30	44,600	44,400	44,100	43,200	41,800	40,000	36,300	29,900	25,400									
35	44,600	44,300	43,600	40,800	37,800	36,100	34,100	29,900	25,400									
40	44,600	44,300	39,700	37,000	34,500	33,000	32,200	29,900	25,400									
45		44,300	36,400	34,100	31,700	30,100	29,500	29,500	25,400									
50		37,000	33,800	31,300	29,200	27,600	27,100	27,100	25,400									
55		31,400	31,400	28,900	27,000	25,400	25,100	24,900	23,300									
60			28,200	26,800	25,100	23,500	23,200	23,000	21,500									
65			24,600	24,800	23,400	21,700	21,600	21,300	19,800									
70			21,700	21,900	21,800	20,200	20,100	19,700	18,400									
75				19,400	19,300	18,900	18,300	17,800	17,200									
80				17,400	17,300	16,900	16,400	15,900	15,500									
85				15,600	15,500	15,100	14,600	14,100	13,700									
90					13,900	13,500	13,000	12,500	12,200									
95					12,500	12,100	11,600	11,200	10,800									
100					11,300	10,900	10,400	9,900	9,600									
105						9,800	9,300	8,900	8,500									
110						8,900	8,300	7,900	7,500									
115						8,000	7,400	7,000	6,600									
120							6,700	6,200	5,900									
125							5,900	5,500	5,100									
130							5,300	4,900	4,500									
135								4,200	3,900									
140								3,700	3,300									
145									2,800									
150									2,400									
Min.Bm. Ang./Cap.	0	34,200	0	18,300	0	11,500	0	9,800	0	8,100	0	6,600	0	5,100	0	3,600	0	2,300
Radius (ft)	42.8	56.5	71.5	86.5	101.5	116.5	131.5	141.5	151.5									

**Not for crane operations**

**Rated Lifting Capacities  
In Pounds**



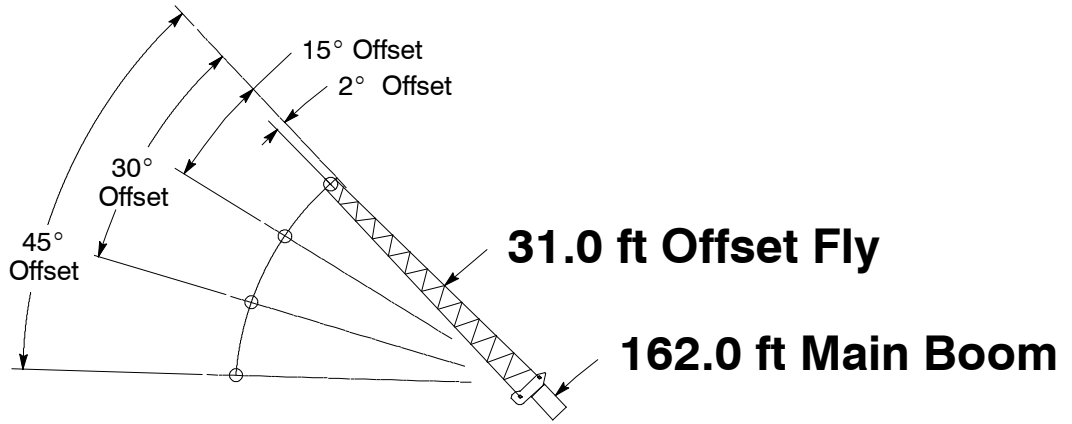
**26,000 lb**



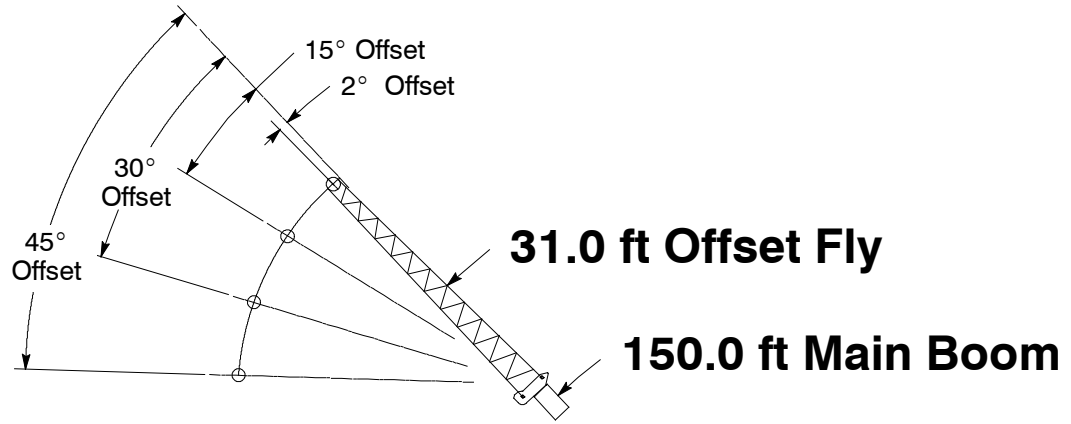
Boom Length (ft)	41.4	55.0	70.0	85.0	100.0	115.0	124.7							
Load Radius (ft)	<p><b>10.0 ft Offset Fly</b></p>													
10	51,800	51,800												
12	47,300	51,800	51,800											
15	46,400	46,800	51,800	51,800										
20	45,200	45,700	46,000	45,800	51,800									
25	44,600	44,900	45,100	45,000	44,300	50,700	43,400							
30	44,600	44,400	44,500	44,400	43,800	42,800	41,600							
35	44,600	44,300	44,100	44,000	41,300	40,100	37,300							
40	44,600	44,300	44,000	43,700	37,500	36,400	34,000							
45		44,300	44,000	43,500	34,500	33,400	31,000							
50		36,900	37,400	37,000	31,800	30,600	28,300							
55		31,400	31,900	31,500	29,400	28,200	25,700							
60			27,500	27,100	26,600	25,800	23,500							
65			23,900	23,500	23,100	22,300	21,500							
70			21,000	20,600	20,200	19,400	19,000							
75				18,100	17,700	17,100	16,700							
80				16,100	15,700	15,000	14,600							
85				14,300	13,900	13,200	12,900							
90					12,400	11,700	11,300							
95					11,000	10,300	9,900							
100					9,800	9,100	8,700							
105						8,000	7,700							
110						7,000	6,700							
115						6,200	5,800							
120							5,000							
125							4,400							
Min.Bm. Ang./Cap.	0	34,200	0	18,500	0	15,800	0	12,900	0	9,500	0	6,000	0	4,200
Radius (ft)	42.8		56.5		71.5		86.5		101.5		116.5		126.2	

**Not for crane operations**

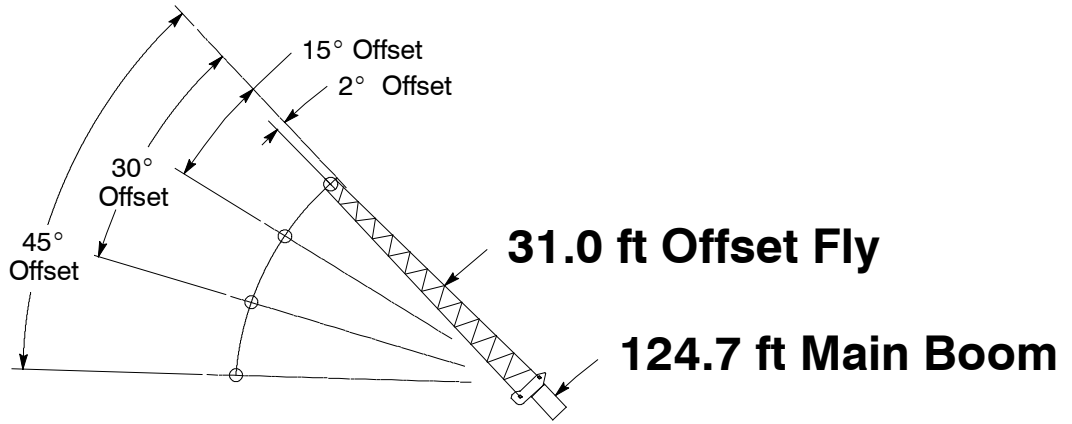




Rated Lifting Capacities In Pounds		Full		26,000 lb		EM 1		
		2° Offset		15° Offset		30° Offset		45° Offset
Load Radius (ft)	∠ °		∠ °		∠ °		∠ °	
	360°	360°	360°	360°	360°	360°	360°	360°
35	79.0	14,600						
40	78.0	14,600						
45	77.0	14,600	79.0	14,600				
50	75.5	14,600	78.0	14,600				
55	74.5	14,600	76.5	14,600	78.5	14,300		
60	73.0	14,600	75.5	14,600	77.5	14,100	79.0	13,200
65	72.0	14,600	74.0	14,600	76.0	14,000	77.5	13,100
70	70.5	14,600	73.0	14,600	74.5	13,800	76.5	13,100
75	69.5	14,600	71.5	14,600	73.5	13,700	75.0	13,000
80	67.5	14,200	70.0	14,400	72.0	13,600	73.5	12,900
85	66.0	13,200	68.5	13,400	70.5	13,500	72.0	12,800
90	64.5	12,300	66.5	12,500	68.5	12,800	70.5	12,800
95	62.5	11,200	65.0	11,700	67.0	11,900	68.5	12,100
100	60.5	9,900	63.0	10,500	65.0	11,100	66.5	11,300
105	58.5	8,800	61.0	9,400	63.0	9,900	64.5	10,300
110	56.5	7,900	59.0	8,400	61.0	8,900	62.5	9,200
115	54.5	7,000	57.0	7,500	59.0	7,900	60.5	8,200
120	52.5	6,200	54.5	6,600	56.5	7,000	58.0	7,300
125	50.5	5,500	52.5	5,900	54.5	6,200	56.0	6,400
130	48.0	4,800	50.5	5,200	52.5	5,500	53.5	5,700
135	46.0	4,200	48.0	4,500	50.0	4,800	51.0	5,000
140	43.5	3,600	45.5	3,900	47.5	4,200	48.5	4,300
145	41.0	3,100	43.5	3,400	45.0	3,600	45.5	3,700
150	38.5	2,600	40.5	2,900	42.0	3,100		
155	36.0	2,200	38.0	2,400	39.5	2,600		
160	33.0	1,800	35.0	2,000	36.0	2,100		
165	29.5	1,400	31.5	1,600	32.5	1,700		
170			28.0	1,200				
Min.Bm. Ang./Cap.	26.0		27.0		26.5		26.5	
Radius (ft)	170.0		171.2		172.5		171.1	
Maximum Boom Length At 0° Boom Angle (ft)	144							

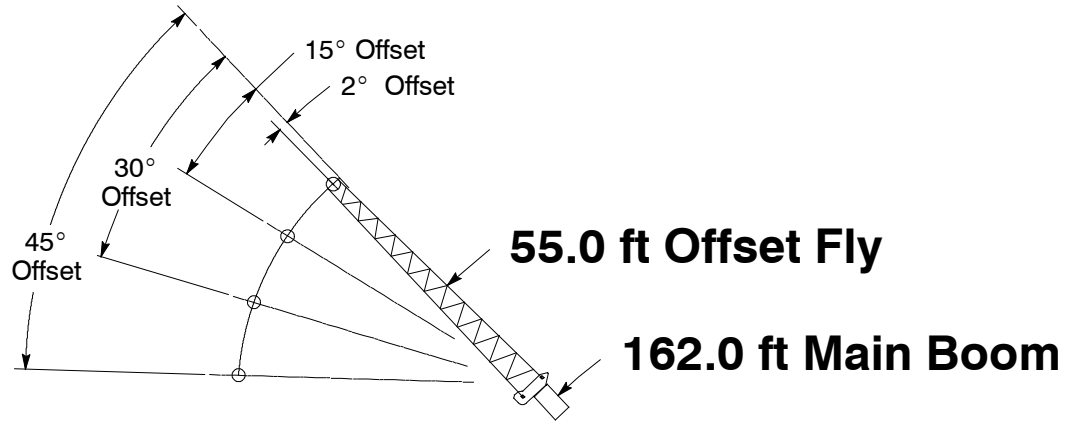


Rated Lifting Capacities In Pounds		Full		26,000 lb		EM 2		
		2° Offset		15° Offset		30° Offset		45° Offset
Load Radius (ft)	∠ °	360°	∠ °	360°	∠ °	360°	∠ °	360°
	35	79.0	17,600					
40	77.5	17,600						
45	76.0	17,600	78.5	17,300				
50	75.0	17,600	77.0	17,000	79.0	15,300		
55	73.5	17,600	75.5	16,700	77.5	15,000	79.5	13,900
60	72.0	17,600	74.0	16,400	76.5	14,800	78.0	13,700
65	71.0	17,600	72.5	16,200	74.5	14,600	76.5	13,600
70	69.0	17,300	71.0	15,900	73.0	14,400	75.0	13,500
75	67.5	16,100	69.5	15,700	71.5	14,300	73.5	13,400
80	65.5	15,000	68.0	15,100	70.0	14,100	71.5	13,300
85	64.0	14,000	66.0	14,100	68.5	13,900	70.0	13,200
90	62.0	12,600	64.5	13,200	66.5	13,400	68.0	13,200
95	60.0	11,200	62.5	11,900	64.5	12,500	66.5	12,800
100	57.5	10,000	60.0	10,600	62.5	11,100	64.0	11,500
105	55.5	8,900	58.0	9,400	60.0	9,900	62.0	10,300
110	53.5	7,900	56.0	8,400	58.0	8,900	59.5	9,200
115	51.0	7,100	53.5	7,500	55.5	7,900	57.0	8,200
120	49.0	6,300	51.0	6,700	53.0	7,000	54.5	7,300
125	46.5	5,500	49.0	5,900	50.5	6,200	52.0	6,400
130	44.0	4,900	46.5	5,200	48.0	5,500	49.0	5,600
135	41.5	4,300	43.5	4,600	45.5	4,800	46.0	4,900
140	38.5	3,700	41.0	4,000	42.5	4,200		
145	36.0	3,200	38.0	3,400	39.5	3,600		
150	32.5	2,700	34.5	2,900	36.0	3,100		
155	29.0	2,300	31.0	2,500	32.5	2,600		
160	25.0	1,900	27.0	2,000				
165	20.5	1,500	22.5	1,600				
170	13.5	1,200	15.5	1,200				
Min.Bm. Ang./Cap.	0.0	1,100	0.0	1,100	0.0	1,100	0.0	1,200
Radius (ft)		172.5		172.1		170.1		166.4



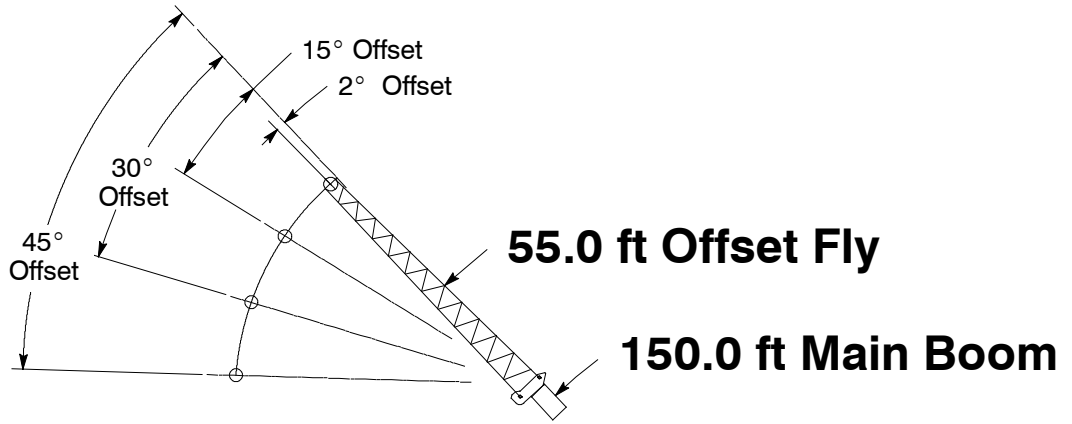
Rated Lifting Capacities In Pounds		Full		26,000 lb		EM 3		
		Full		26,000 lb				
Load Radius (ft)	2° Offset		15° Offset		30° Offset		45° Offset	
	$\Delta$ °	360°	$\Delta$ °	360°	$\Delta$ °	360°	$\Delta$ °	360°
30	78.5	28,100						
35	77.0	27,000	79.0	20,400				
40	75.5	26,000	77.5	20,400				
45	73.5	24,900	75.5	19,300	78.0	16,600		
50	72.0	24,000	74.0	18,700	76.0	16,300	78.5	14,700
55	70.0	23,100	72.0	18,200	74.5	15,900	76.5	14,500
60	68.0	20,400	70.0	17,700	72.5	15,600	74.5	14,300
65	66.0	19,800	68.0	17,300	70.5	15,300	72.5	14,100
70	64.0	19,200	66.0	16,900	68.5	15,000	70.5	14,000
75	62.0	17,400	64.0	16,500	66.5	14,800	68.5	13,800
80	59.5	15,500	62.0	16,100	64.5	14,600	66.0	13,700
85	57.0	13,700	60.0	14,400	62.5	14,400	64.0	13,700
90	54.5	12,100	57.5	12,800	60.0	13,400	61.5	13,600
95	52.0	10,800	55.0	11,400	57.0	11,900	59.0	12,300
100	49.5	9,500	52.0	10,100	54.5	10,600	56.0	10,900
105	47.0	8,500	49.5	8,900	51.5	9,400	53.0	9,600
110	44.0	7,500	46.5	7,900	48.5	8,300	50.0	8,500
115	41.0	6,600	43.5	7,000	45.5	7,300	46.5	7,500
120	38.0	5,800	40.5	6,200	42.5	6,400		
125	34.5	5,100	37.0	5,400	38.5	5,600		
130	30.5	4,400	33.0	4,700	34.5	4,900		
135	26.0	3,800	28.5	4,000				
140	21.0	3,300	23.0	3,400				
145	13.5	2,800	15.0	2,900				
Min.Bm. Ang./Cap.	0.0	2,700	0.0	2,700	0.0	2,800	0.0	2,900
Radius (ft)	147.2		146.9		144.9		141.4	

Not for crane operations



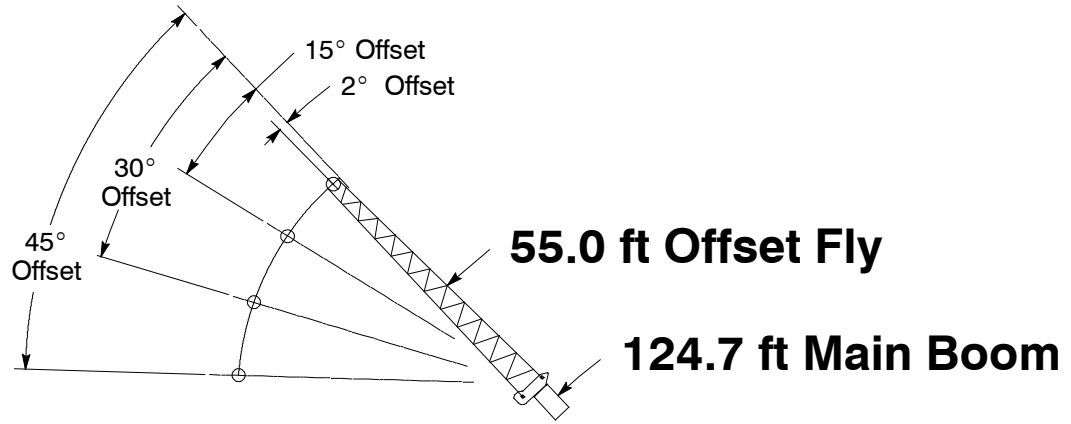
Rated Lifting Capacities In Pounds		2° Offset		15° Offset		30° Offset		45° Offset	
		$\Delta$ °	360°	$\Delta$ °	360°	$\Delta$ °	360°	$\Delta$ °	360°
40	79.5	10,600							
45	78.5	10,600							
50	77.5	10,600							
55	76.5	10,600							
60	75.5	10,600	78.5	9,700					
65	74.5	10,600	77.5	9,500					
70	73.5	10,500	76.5	9,400	79.5	8,300			
75	72.0	10,300	75.0	9,200	78.5	8,200			
80	71.0	10,200	74.0	9,000	77.0	8,100			
85	69.5	10,000	72.5	8,900	76.0	8,000	78.5	7,300	
90	68.5	9,800	71.5	8,700	74.5	7,800	77.0	7,300	
95	67.0	9,600	70.0	8,600	73.5	7,700	76.0	7,200	
100	66.0	9,500	69.0	8,500	72.0	7,600	74.5	7,100	
105	64.5	9,200	67.5	8,300	70.5	7,600	73.0	7,100	
110	63.0	8,600	66.0	8,200	69.0	7,500	71.5	7,100	
115	61.5	7,700	65.0	8,100	67.5	7,400	70.0	7,000	
120	59.5	6,900	63.0	7,600	66.5	7,300	68.5	7,000	
125	57.5	6,100	61.5	6,800	65.0	7,300	67.0	7,000	
130	56.0	5,400	59.5	6,100	63.0	6,800	65.5	6,900	
135	54.0	4,800	57.5	5,500	61.0	6,100	63.5	6,500	
140	52.0	4,300	55.5	4,800	59.0	5,400	61.5	5,800	
145	50.5	3,700	53.5	4,300	57.0	4,800	59.0	5,100	
150	48.5	3,200	51.5	3,700	55.0	4,200	57.0	4,500	
155	46.5	2,800	49.5	3,300	52.5	3,700	54.5	3,900	
160	44.0	2,400	47.5	2,800	50.5	3,200	52.0	3,400	
165	42.0	2,000	45.5	2,400	48.0	2,700	49.5	2,900	
170	40.0	1,600	43.0	2,000	45.5	2,300	46.5	2,400	
175	37.5	1,300	40.5	1,600	43.0	1,900			
180			38.5	1,300	40.5	1,500			
Min.Bm. Ang./Cap.	36.0		37.0		37.5		37.5		
Radius (ft)	178.3		182.5		185.0		184.0		
Maximum Boom Length At 0° Boom Angle (ft)					136				

Not for crane operations

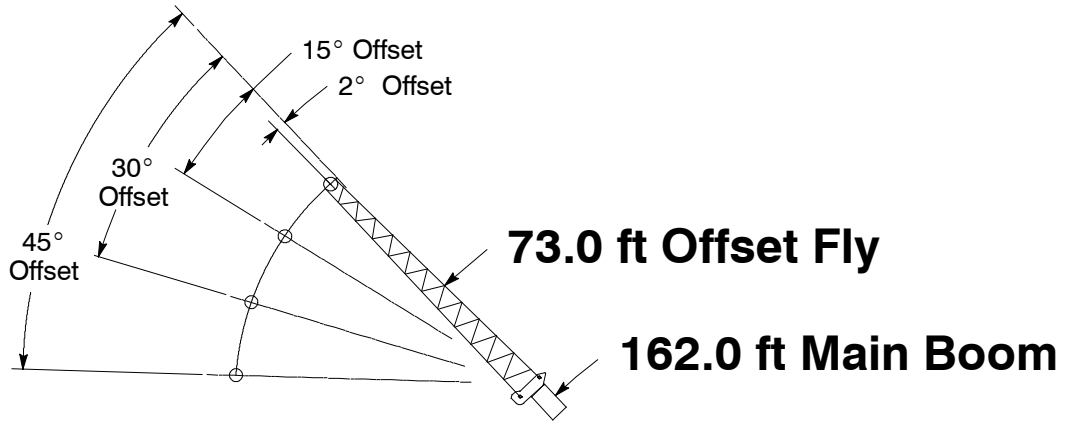


Load Radius (ft)		2° Offset		15° Offset		30° Offset		45° Offset	
		$\Delta$ °	360°	$\Delta$ °	360°	$\Delta$ °	360°	$\Delta$ °	360°
40		79.5	12,700						
45		78.0	12,500						
50		77.0	12,200						
55		76.0	12,000	79.0	10,500				
60		74.5	11,700	78.0	10,300				
65		73.5	11,500	76.5	10,000				
70		72.0	11,200	75.5	9,800	79.0	8,600		
75		71.0	11,000	74.0	9,600	77.5	8,400		
80		69.5	10,700	72.5	9,400	76.0	8,300	79.0	7,600
85		68.0	10,500	71.5	9,200	74.5	8,200	77.5	7,500
90		66.5	10,200	70.0	9,000	73.0	8,000	76.0	7,400
95		65.5	10,000	68.5	8,900	71.5	7,900	74.5	7,400
100		64.0	9,800	67.0	8,700	70.0	7,800	73.0	7,300
105		62.5	9,600	65.5	8,500	68.5	7,700	71.5	7,200
110		60.5	8,700	64.0	8,400	67.0	7,600	69.5	7,200
115		58.5	7,800	62.5	8,200	65.5	7,500	68.0	7,200
120		57.0	7,000	60.5	7,700	64.0	7,500	66.0	7,100
125		55.0	6,300	58.5	7,000	62.0	7,400	64.5	7,100
130		53.0	5,600	56.5	6,200	60.0	6,800	62.5	7,000
135		51.0	5,000	54.5	5,600	58.0	6,100	60.5	6,500
140		49.0	4,400	52.5	4,900	56.0	5,500	58.0	5,800
145		46.5	3,900	50.5	4,400	53.5	4,800	55.5	5,100
150		44.5	3,400	48.0	3,900	51.0	4,300	53.0	4,500
155		42.0	2,900	45.5	3,400	48.5	3,700	50.0	3,900
160		40.0	2,500	43.5	2,900	46.0	3,200	47.0	3,400
165		37.5	2,100	40.5	2,500	43.5	2,700		
170		34.5	1,800	38.0	2,100	40.5	2,300		
175		32.0	1,400	35.0	1,700	37.0	1,900		
180				32.0	1,300	33.5	1,500		
Min.Bm. Ang./Cap.		29.0		29.5		29.0		26.0	
Radius (ft)		180.0		183.3		185.0		180.4	
Maximum Boom Length At 0° Boom Angle (ft)						133			

Not for crane operations

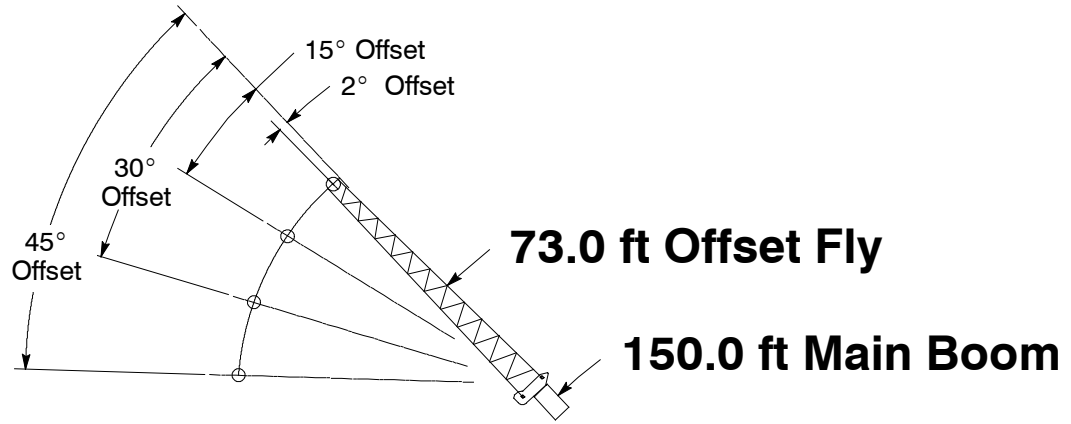


Rated Lifting Capacities In Pounds		Full		26,000 lb		EM 3		
		2° Offset		15° Offset		30° Offset		45° Offset
Load Radius (ft)	∠ °		∠ °		∠ °		∠ °	
	360°	360°	360°	360°	360°	360°	360°	360°
35	78.5	15,300						
40	77.5	14,800						
45	76.0	14,300	79.5	12,000				
50	74.5	13,800	78.0	11,600				
55	73.0	13,300	76.5	11,200				
60	71.5	12,800	75.0	10,900	79.0	9,300		
65	69.5	12,400	73.5	10,500	77.5	9,100		
70	68.0	12,000	72.0	10,200	76.0	8,900	79.0	8,000
75	66.5	11,600	70.0	9,900	74.0	8,700	77.5	7,800
80	65.0	11,200	68.5	9,700	72.5	8,500	75.5	7,700
85	63.0	10,800	67.0	9,400	70.5	8,300	74.0	7,600
90	61.5	10,500	65.0	9,200	69.0	8,200	72.0	7,600
95	59.5	10,200	63.0	9,000	67.0	8,000	70.0	7,500
100	57.5	9,900	61.5	8,800	65.0	7,900	68.0	7,400
105	55.5	9,500	59.5	8,600	63.0	7,800	66.0	7,400
110	53.5	8,500	57.5	8,400	61.0	7,700	63.5	7,300
115	51.5	7,600	55.5	8,200	59.0	7,600	61.5	7,300
120	49.0	6,800	53.0	7,500	56.5	7,500	59.0	7,200
125	46.5	6,100	50.5	6,700	54.5	7,300	56.5	7,200
130	44.0	5,400	48.0	6,000	51.5	6,500	54.0	6,800
135	41.5	4,800	45.5	5,300	49.0	5,800	50.5	6,000
140	39.0	4,200	42.5	4,700	46.0	5,100	47.0	5,300
145	36.0	3,700	39.5	4,100	42.5	4,400		
150	32.5	3,200	36.5	3,600	39.0	3,800		
155	29.0	2,800	33.0	3,100	35.0	3,300		
160	25.5	2,400	28.5	2,600	30.0	2,700		
165	20.5	2,000	23.5	2,200				
170	12.5	1,700						
Min.Bm. Ang./Cap.	0.0	1,600	0.0	1,700	0.0	1,800	0.0	1,900
Radius (ft)	171.2		170.5		167.2		161.4	



Rated Lifting Capacities In Pounds		2° Offset		15° Offset		30° Offset		45° Offset	
		∠ °	360°	∠ °	360°	∠ °	360°	∠ °	360°
55	79.0	8,500							
60	78.0	8,500							
65	77.0	8,500							
70	76.0	8,500	79.0	8,500					
75	75.0	8,500	78.0	8,500					
80	74.0	8,500	77.0	8,500					
85	73.0	8,500	76.0	8,400	79.0	7,600			
90	72.0	8,500	74.5	8,300	77.5	7,500			
95	71.0	8,500	73.5	8,200	76.5	7,500	79.0	6,800	
100	70.0	8,500	72.5	8,100	75.5	7,400	78.0	6,600	
105	69.0	8,500	71.5	8,000	74.0	7,100	76.5	6,400	
110	67.5	8,000	70.0	7,900	73.0	6,900	75.0	6,300	
115	66.0	7,400	69.0	7,700	71.5	6,700	74.0	6,100	
120	64.5	6,700	67.5	7,100	70.0	6,500	72.5	6,000	
125	63.0	5,900	66.0	6,600	69.0	6,300	71.0	5,800	
130	61.0	5,200	64.0	5,900	67.5	6,200	69.5	5,700	
135	59.5	4,600	62.5	5,200	66.0	5,900	68.0	5,600	
140	58.0	4,000	61.0	4,600	64.0	5,200	66.5	5,500	
145	56.0	3,500	59.0	4,000	62.5	4,600	65.0	5,100	
150	54.5	3,000	57.5	3,500	60.5	4,000	63.0	4,400	
155	52.5	2,500	55.5	3,000	58.5	3,500	61.0	3,900	
160	51.0	2,100	53.5	2,500	56.5	3,000	59.0	3,300	
165	49.0	1,700	52.0	2,100	55.0	2,600	56.5	2,800	
170	47.5	1,300	50.0	1,700	53.0	2,100	54.5	2,400	
175			48.0	1,300	51.0	1,700	52.5	1,900	
180					48.5	1,300	50.0	1,500	
Min.Bm. Ang./Cap.	46.0		46.5		47.0		47.5		
Radius (ft)	173.3		178.3		183.3		185.0		
Maximum Boom Length At 0° Boom Angle (ft)					123				

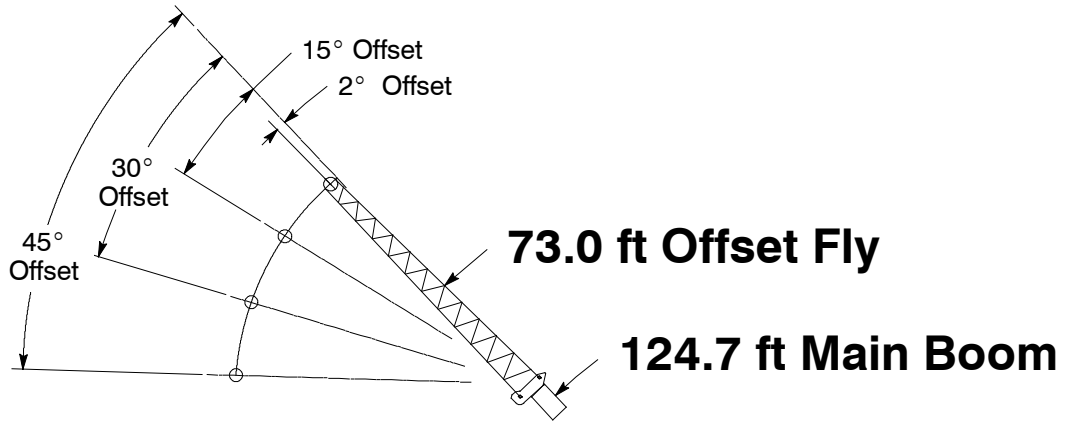
Not for crane operations



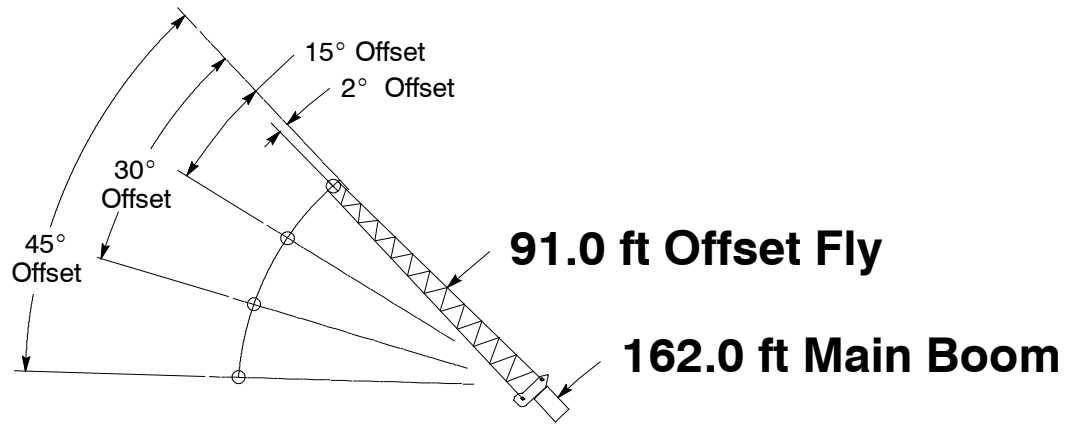
Rated Lifting Capacities In Pounds		Full		26,000 lb		EM 2		
		2° Offset		15° Offset		30° Offset		45° Offset
Load Radius (ft)	∠ °		∠ °		∠ °		∠ °	
	360°	360°	360°	360°	360°	360°	360°	360°
50	79.5	10,100						
55	78.5	10,100						
60	77.0	10,100						
65	76.0	10,100	79.0	9,400				
70	75.0	10,100	77.5	9,300				
75	74.0	10,000	76.5	9,100				
80	73.0	9,800	75.5	9,000	78.5	8,100		
85	71.5	9,700	74.0	8,900	77.5	7,900		
90	70.5	9,600	73.0	8,700	76.0	7,800	79.0	7,100
95	69.5	9,400	72.0	8,600	75.0	7,700	77.5	6,900
100	68.0	9,300	70.5	8,500	73.5	7,400	76.0	6,700
105	67.0	9,100	69.0	8,200	72.0	7,200	74.5	6,500
110	65.5	8,600	68.0	7,900	70.5	6,900	73.0	6,300
115	63.5	7,800	66.5	7,700	69.5	6,700	71.5	6,200
120	62.0	7,000	65.0	7,400	68.0	6,500	70.0	6,000
125	60.0	6,300	63.5	6,900	66.5	6,400	68.5	5,900
130	58.5	5,600	61.5	6,200	64.5	6,200	67.0	5,800
135	56.5	4,900	59.5	5,500	63.0	6,000	65.5	5,600
140	55.0	4,400	58.0	4,900	61.5	5,500	63.5	5,500
145	53.0	3,800	56.0	4,300	59.5	4,900	61.5	5,300
150	51.0	3,300	54.0	3,800	57.5	4,300	59.5	4,600
155	49.5	2,900	52.0	3,300	55.5	3,800	57.5	4,100
160	47.5	2,400	50.0	2,800	53.0	3,300	55.0	3,500
165	45.5	2,000	48.0	2,400	51.0	2,800	52.5	3,000
170	43.0	1,700	46.0	2,000	48.5	2,400	50.0	2,500
175	41.0	1,300	44.0	1,600	46.5	1,900	47.5	2,100
180			41.5	1,300	44.0	1,600	45.0	1,600
185					41.5	1,200		
Min. Bm. Ang./Cap.	39.5		40.0		41.0		41.0	
Radius (ft)	178.3		183.3		186.3		186.3	
Maximum Boom Length At 0° Boom Angle (ft)					122			

Not for crane operations

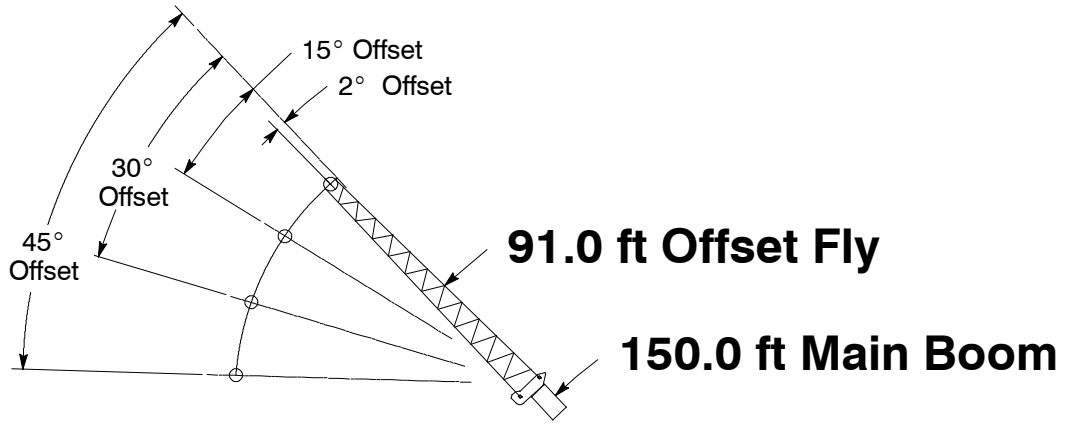




Rated Lifting Capacities In Pounds		Full		26,000 lb		EM 3		
		Full		26,000 lb				
Load Radius (ft)	2° Offset		15° Offset		30° Offset		45° Offset	
	$\Delta$ °	360°	$\Delta$ °	360°	$\Delta$ °	360°	$\Delta$ °	360°
40	79.5	13,200						
45	78.0	12,900						
50	77.0	12,600						
55	75.5	12,300	78.5	10,900				
60	74.5	12,000	77.0	10,600				
65	73.0	11,700	76.0	10,400	79.5	9,000		
70	71.5	11,400	74.5	10,100	78.0	8,800		
75	70.0	11,200	73.0	9,900	76.5	8,600		
80	68.5	10,900	71.5	9,700	75.0	8,500	78.0	7,700
85	67.0	10,600	70.0	9,500	73.5	8,300	76.5	7,500
90	65.5	10,300	68.5	9,200	72.0	8,000	75.0	7,300
95	64.0	9,900	67.0	8,800	70.5	7,700	73.5	7,100
100	62.5	9,400	65.5	8,400	68.5	7,400	71.5	6,800
105	61.0	9,000	63.5	8,100	67.0	7,200	70.0	6,600
110	59.0	8,500	62.0	7,800	65.5	7,000	68.0	6,500
115	57.0	7,600	60.0	7,500	63.5	6,700	66.0	6,300
120	55.0	6,800	58.5	7,200	61.5	6,500	64.0	6,100
125	53.0	6,100	56.5	6,700	59.5	6,300	62.0	6,000
130	51.0	5,400	54.5	5,900	58.0	6,200	60.0	5,800
135	49.0	4,700	52.0	5,300	55.5	5,800	58.0	5,700
140	46.5	4,200	50.0	4,600	53.5	5,200	55.5	5,500
145	44.5	3,600	47.5	4,100	51.0	4,500	53.0	4,800
150	42.0	3,200	45.0	3,500	48.5	4,000	50.0	4,200
155	39.5	2,700	42.5	3,100	45.5	3,400	47.0	3,600
160	37.0	2,300	40.0	2,600	43.0	2,900		
165	34.0	1,900	37.0	2,200	39.5	2,400		
170	31.0	1,500	34.0	1,800	36.5	2,000		
175	28.0	1,200	30.5	1,400	32.5	1,500		
Min.Bm. Ang./Cap.	26.5		27.5		27.7		22.5	
Radius (ft)	176.7		178.8		180.0		175.3	
Maximum Boom Length At 0° Boom Angle (ft)					110			

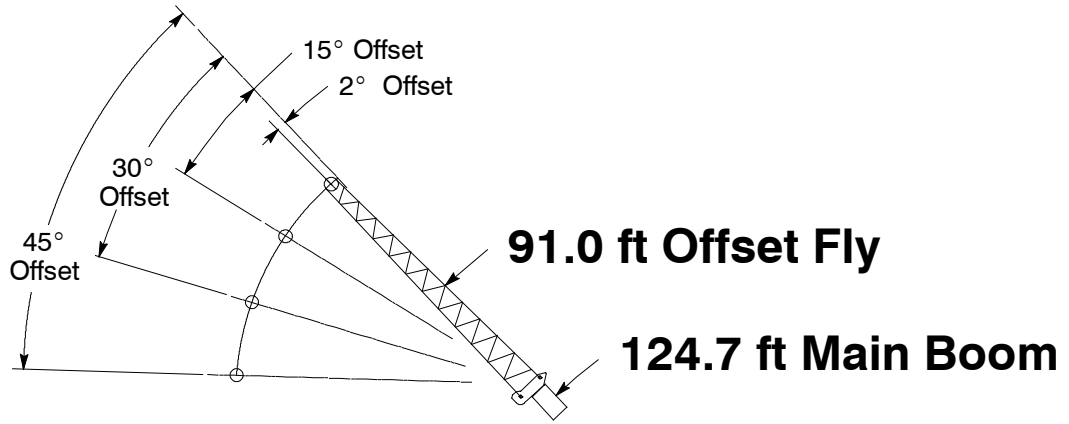


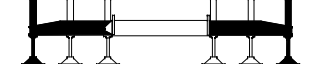
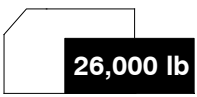

Rated Lifting Capacities In Pounds		Full		26,000 lb		EM 1		
		2° Offset		15° Offset		30° Offset		45° Offset
Load Radius (ft)	∠ °	360°	∠ °	360°	∠ °	360°	∠ °	360°
	60	79.5	6,500					
65	78.5	6,500						
70	77.5	6,500						
75	76.5	6,500	79.0	6,500				
80	76.0	6,500	78.5	6,500				
85	75.0	6,500	77.5	6,500				
90	74.0	6,500	76.5	6,500	79.5	6,100		
95	73.0	6,500	75.5	6,500	78.0	5,900		
100	72.0	6,500	74.5	6,300	77.0	5,600	79.5	5,200
105	71.0	6,500	73.5	6,000	76.0	5,400	78.0	5,000
110	70.0	6,400	72.0	5,800	75.0	5,200	77.0	4,800
115	69.0	6,100	71.0	5,500	73.5	5,000	76.0	4,600
120	67.5	5,800	70.0	5,300	72.5	4,800	74.5	4,500
125	66.5	5,500	68.5	5,100	71.0	4,600	73.5	4,300
130	65.0	5,100	67.5	4,900	70.0	4,400	72.0	4,200
135	63.5	4,500	66.0	4,700	68.5	4,300	70.5	4,000
140	62.0	3,900	65.0	4,500	67.5	4,100	69.5	3,900
145	60.5	3,400	63.0	4,000	66.0	4,000	68.0	3,800
150	59.0	2,900	61.5	3,400	64.5	3,900	66.5	3,700
155	57.5	2,400	60.0	2,900	63.0	3,500	65.0	3,600
160	55.5	2,000	58.5	2,500	61.5	3,000	63.5	3,400
165	54.0	1,600	56.5	2,100	59.5	2,600	62.0	2,900
170	52.5	1,200	55.0	1,700	58.0	2,100	60.0	2,400
175			53.5	1,300	56.0	1,700	58.0	2,000
180					54.5	1,300	56.0	1,600
185							54.0	1,200
Min. Bm. Ang./Cap.	52.0		52.5		53.0		53.5	
Radius (ft)	171.6		177.5		183.3		186.2	
Maximum Boom Length At 0° Boom Angle (ft)					111			



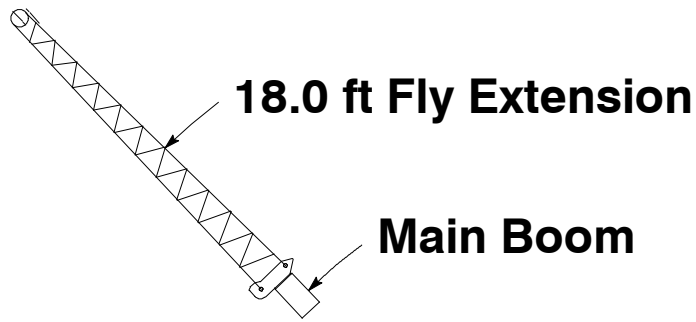
Rated Lifting Capacities In Pounds		Full		26,000 lb		EM 2		
		2° Offset		15° Offset		30° Offset		45° Offset
Load Radius (ft)	∠ °		∠ °		∠ °		∠ °	
	360°	360°	360°	360°	360°	360°	360°	360°
55	79.5	7,500						
60	78.5	7,500						
65	77.5	7,500						
70	76.5	7,500	79.5	7,600				
75	75.5	7,500	78.5	7,600				
80	74.5	7,500	77.5	7,600				
85	74.0	7,500	76.0	7,300	79.0	6,500		
90	72.5	7,500	75.0	7,000	78.0	6,200		
95	71.5	7,300	74.0	6,600	76.5	5,900	79.0	5,500
100	70.5	7,000	72.5	6,300	75.5	5,700	78.0	5,300
105	69.0	6,600	71.5	6,000	74.0	5,500	76.5	5,100
110	68.0	6,300	70.0	5,800	73.0	5,200	75.5	4,900
115	66.5	6,100	69.0	5,500	71.5	5,000	74.0	4,700
120	65.5	5,800	67.5	5,300	70.5	4,800	72.5	4,500
125	64.0	5,500	66.0	5,100	69.0	4,600	71.0	4,400
130	62.5	5,300	65.0	4,900	67.5	4,500	70.0	4,200
135	61.0	4,700	63.5	4,700	66.0	4,300	68.5	4,100
140	59.5	4,100	62.0	4,500	65.0	4,100	67.0	3,900
145	57.5	3,600	60.5	4,100	63.5	4,000	65.5	3,800
150	56.0	3,100	59.0	3,600	62.0	3,900	64.0	3,700
155	54.5	2,600	57.0	3,100	60.5	3,700	62.0	3,600
160	52.5	2,200	55.5	2,700	58.5	3,200	60.5	3,500
165	51.0	1,800	53.5	2,200	56.5	2,700	58.5	3,000
170	49.0	1,400	51.5	1,800	54.5	2,300	56.5	2,500
175			50.0	1,500	52.5	1,800	54.5	2,100
180					50.5	1,500	52.0	1,700
185							50.0	1,200
Min. Bm. Ang./Cap.	47.0		48.0		48.5		49.0	
Radius (ft)	175.0		180.0		185.0		186.7	
Maximum Boom Length At 0° Boom Angle (ft)	109							

Not for crane operations



Rated Lifting Capacities In Pounds		 Full		 26,000 lb				
Load Radius (ft)	2° Offset		15° Offset		30° Offset		45° Offset	
	$\Delta$ °	360°	$\Delta$ °	360°	$\Delta$ °	360°	$\Delta$ °	360°
50	78.5	10,700						
55	77.5	10,700						
60	76.5	10,700	79.0	9,900				
65	75.0	10,400	77.5	9,400				
70	73.5	9,700	76.5	8,900				
75	72.5	9,200	75.0	8,400	78.5	7,500		
80	71.0	8,600	73.5	7,900	77.0	7,200		
85	69.5	8,100	72.5	7,500	75.5	6,800	78.5	6,400
90	68.0	7,700	71.0	7,100	74.0	6,500	77.0	6,100
95	67.0	7,300	69.5	6,700	72.5	6,200	75.5	5,800
100	65.5	6,900	68.0	6,400	71.5	5,900	74.0	5,500
105	64.0	6,600	66.5	6,100	69.5	5,600	72.5	5,300
110	62.5	6,200	65.0	5,800	68.0	5,400	71.0	5,100
115	61.0	5,900	63.5	5,500	66.5	5,100	69.0	4,900
120	59.5	5,700	62.0	5,300	65.0	4,900	67.5	4,700
125	57.5	5,400	60.5	5,100	63.5	4,700	66.0	4,500
130	56.0	5,200	58.5	4,800	62.0	4,500	64.0	4,300
135	54.5	4,800	57.0	4,600	60.0	4,300	62.5	4,200
140	52.5	4,200	55.5	4,400	58.5	4,200	60.5	4,000
145	50.5	3,700	53.5	4,200	56.5	4,000	58.5	3,900
150	48.5	3,200	51.5	3,600	54.5	3,900	56.5	3,800
155	46.5	2,700	49.5	3,100	52.5	3,600	54.5	3,700
160	44.5	2,300	47.0	2,700	50.5	3,100	52.0	3,300
165	42.0	1,900	45.0	2,200	48.0	2,600	49.5	2,800
170	40.0	1,500	42.5	1,800	45.5	2,200	46.5	2,300
175	37.5	1,200	40.5	1,500	43.0	1,700		
180					40.0	1,300		
Min. Bm. Ang./Cap.	37.0		38.0		31.0		38.0	
Radius (ft)	176.3		180.0		183.3		183.3	
Maximum Boom Length At 0° Boom Angle (ft)					101			

Not for crane operations



Rated Lifting Capacities In Pounds		Full				26,000 lb	
		162 ft Boom		150 ft Boom		124.7 ft Boom	
Load Radius (ft)	Boom Mode EM1		Boom Mode EM2		Boom Mode EM3		
	$\Delta$ °	360°	$\Delta$ °	360°	$\Delta$ °	360°	
25					79.0	34,500	
30					77.5	34,500	
35	78.0	17,000	78.0	25,200	75.5	34,500	
40	77.0	17,000	77.0	25,200	73.5	32,900	
45	75.5	17,000	75.5	25,200	71.5	30,000	
50	74.0	17,000	74.0	24,600	69.5	27,400	
55	73.0	17,000	72.0	22,600	67.0	25,100	
60	71.5	17,000	70.0	21,000	65.0	22,900	
65	70.0	17,000	68.5	19,500	62.5	21,100	
70	68.5	17,000	66.5	18,100	60.5	19,500	
75	67.0	16,000	64.5	16,900	57.5	17,100	
80	65.0	14,900	62.5	15,700	55.0	15,200	
85	63.0	13,900	60.5	14,200	52.5	13,500	
90	61.0	12,600	58.0	12,600	49.5	11,900	
95	59.0	11,200	56.0	11,200	46.5	10,500	
100	57.0	10,000	53.5	10,000	43.5	9,300	
105	55.0	8,900	51.5	9,000	40.5	8,300	
110	52.5	8,000	49.0	8,000	36.5	7,300	
115	50.5	7,100	46.5	7,100	33.0	6,400	
120	48.0	6,300	43.5	6,300	28.5	5,600	
125	45.5	5,600	41.0	5,600	23.5	4,900	
130	43.0	4,900	38.0	4,900	16.5	4,200	
135	40.5	4,300	34.5	4,300			
140	37.5	3,800	31.0	3,800			
145	34.5	3,200	27.0	3,200			
150	31.5	2,800	22.5	2,800			
155	27.5	2,300	16.0	2,300			
160	23.5	1,900					
165	18.0	1,500					
170	10.0	1,200					
Min. Bm. Ang./Cap.	0.0	1,200	0.0	2,000	0.0	3,800	
Radius (ft)	171.5		159.5		134.2		

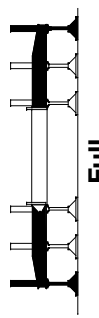
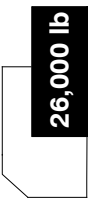
Not for crane operations

**This Page Left Blank  
Intentionally**

For sales use only

Not for crane operations

Rated Lifting Capacities In Pounds		10.0' Hydraulic Offset Fly										EM 1	360°
		Boom Length (ft)											
Load Radius (ft)	41.4	55.0	70.0	85.0	100.0	115.0	130.0	145.0	155.0	162.0			
10	51,800	51,800	48,600	48,600	45,100	43,900	43,300	42,800	38,100	28,800	22,300	19,900	
12	47,200	46,700	45,100	44,300	43,800	40,900	37,000	34,000	31,200	28,900	25,400	19,900	
15	46,200	44,700	44,300	43,800	40,900	37,000	34,000	31,200	28,900	26,900	22,300	19,900	
20	45,000	44,200	40,900	37,000	34,000	31,200	28,900	26,900	24,500	22,300	20,800	19,900	
25	44,400	43,800	31,200	28,900	26,900	24,500	22,300	20,800	19,200	17,700	16,700	15,900	
30	43,800	41,900	28,900	26,600	24,300	22,500	20,700	19,100	17,700	16,700	15,400	14,700	
35	42,100	36,600	24,400	21,600	19,400	18,700	17,100	15,500	14,500	13,600	12,100	11,800	
40	42,100	31,100	21,500	19,200	17,100	15,300	13,900	12,500	11,700	10,700	9,500	8,100	
45			24,600	21,600	19,200	17,100	15,300	13,900	12,500	11,700	10,700	9,200	
50			21,500	19,200	17,100	15,300	13,900	12,500	11,700	10,500	9,500	8,100	
55			24,600	21,600	19,200	17,100	15,300	13,900	12,500	11,700	10,700	9,200	
60			21,500	19,200	17,100	15,300	13,900	12,500	11,700	10,500	9,500	8,100	
65			24,600	21,600	19,200	17,100	15,300	13,900	12,500	11,700	10,700	9,200	
70			21,500	19,200	17,100	15,300	13,900	12,500	11,700	10,500	9,500	8,100	
75			24,600	21,600	19,200	17,100	15,300	13,900	12,500	11,700	10,700	9,200	
80			21,500	19,200	17,100	15,300	13,900	12,500	11,700	10,500	9,500	8,100	
85			24,600	21,600	19,200	17,100	15,300	13,900	12,500	11,700	10,700	9,200	
90			21,500	19,200	17,100	15,300	13,900	12,500	11,700	10,500	9,500	8,100	
95			24,600	21,600	19,200	17,100	15,300	13,900	12,500	11,700	10,700	9,200	
100			21,500	19,200	17,100	15,300	13,900	12,500	11,700	10,500	9,500	8,100	
105			24,600	21,600	19,200	17,100	15,300	13,900	12,500	11,700	10,700	9,200	
110			21,500	19,200	17,100	15,300	13,900	12,500	11,700	10,500	9,500	8,100	
115			24,600	21,600	19,200	17,100	15,300	13,900	12,500	11,700	10,700	9,200	
120			21,500	19,200	17,100	15,300	13,900	12,500	11,700	10,500	9,500	8,100	
125			24,600	21,600	19,200	17,100	15,300	13,900	12,500	11,700	10,700	9,200	
130			21,500	19,200	17,100	15,300	13,900	12,500	11,700	10,500	9,500	8,100	
135			24,600	21,600	19,200	17,100	15,300	13,900	12,500	11,700	10,700	9,200	
140			21,500	19,200	17,100	15,300	13,900	12,500	11,700	10,500	9,500	8,100	
145			24,600	21,600	19,200	17,100	15,300	13,900	12,500	11,700	10,700	9,200	
150			21,500	19,200	17,100	15,300	13,900	12,500	11,700	10,500	9,500	8,100	
155			24,600	21,600	19,200	17,100	15,300	13,900	12,500	11,700	10,700	9,200	
Min. Bm. Ang./Cap.	0 / 33,900	0 / 17,900	0 / 10,100	0 / 8,600	0 / 6,800	0 / 5,600	0 / 4,100	0 / 2,900	0 / 1,700	14.5 / 0			
Radius (ft)	42.8	56.5	71.5	86.5	101.5	116.5	131.5	146.5	156.5	159.2			



Not for crane operations

Rated Lifting Capacities In Pounds		10.0' Hydraulic Offset Fly										EM 2		360°	
		2° - 45°		Full		26,000 lb									
Load Radius (ft)	Boom Length (ft)														
	41.4	55.0	70.0	85.0	100.0	115.0	130.0	140.0	150.0						
10	51,800	51,800	51,800	51,800	47,800	41,400	36,100	29,800							
12	47,200	46,700	45,300	44,200	42,200	39,600	36,100	29,800							
15	46,200	44,700	44,500	43,600	41,400	39,600	36,100	29,800							
20	45,000	44,200	43,900	43,100	37,400	35,700	33,800	29,800							
25	44,400	44,200	43,200	40,500	34,300	32,600	31,800	29,800							
30	43,800	44,200	39,200	36,600	31,300	29,700	29,100	29,100							
35	42,100	44,100	36,000	33,700	28,800	27,200	26,700	26,700							
40	42,100	43,000	31,000	28,500	26,600	25,000	24,700	24,500							
45		41,900	27,900	26,400	24,700	23,000	22,800	22,600							
50		36,600	33,400	30,900	28,800	27,200	26,700	26,700							
55		31,100	31,000	28,500	26,600	25,000	24,700	24,500							
60			27,900	26,400	24,700	23,000	22,800	22,600							
65			24,300	24,500	23,000	21,300	21,200	20,900							
70			21,400	21,500	21,400	19,800	19,700	19,300							
75				19,000	18,900	18,400	17,900	17,400							
80				17,000	16,900	16,600	16,000	15,500							
85				15,200	15,100	14,700	14,200	13,700							
90					13,500	13,200	12,600	12,200							
95					12,100	11,800	11,200	10,800							
100					10,900	10,600	10,000	9,600							
105						9,500	8,900	8,500							
110						8,500	7,900	7,500							
115						7,600	7,100	6,600							
120						6,300	6,300	5,800							
125						5,500	5,500	5,100							
130						4,900	4,900	4,500							
135								3,900							
140								3,300							
145								2,400							
150								2,000							
Min. Bm. Ang./Cap.	0 / 33,900	0 / 17,900	0 / 11,100	0 / 9,400	0 / 7,700	0 / 6,200	0 / 4,700	0 / 3,200	0 / 1,900						
Radius (ft)	42.8	56.5	71.5	86.5	101.5	116.5	131.5	141.5	151.5						

Not for crane operations



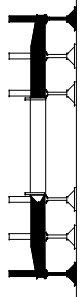
Rated Lifting Capacities In Pounds		10.0' Hydraulic Offset Fly									EM 3	360°
		2° - 45°	Full		Boom Length (ft)							
Load Radius (ft)	41.4	55.0	70.0	85.0	100.0	115.0	124.7					
10	51,800	51,800	51,800	51,800	51,800	51,800	51,800	51,800	51,800	51,800	51,800	
12	47,200	51,800	51,800	51,800	51,800	51,800	51,800	51,800	51,800	51,800	51,800	
15	46,200	46,700	51,800	51,800	51,800	51,800	51,800	51,800	51,800	51,800	51,800	
20	45,000	45,500	45,800	45,800	45,800	45,800	45,800	45,800	45,800	45,800	45,800	43,300
25	44,400	44,700	45,000	45,000	45,000	45,000	45,000	45,000	45,000	45,000	45,000	41,200
30	43,800	44,200	44,400	44,400	44,400	44,400	44,400	44,400	44,400	44,400	44,400	36,900
35	42,100	44,100	44,000	43,800	43,800	43,800	43,800	43,800	43,800	43,800	43,800	33,600
40	42,100	43,000	43,800	43,500	43,500	43,500	43,500	43,500	43,500	43,500	43,500	30,600
45		41,900	43,700	43,400	43,400	43,400	43,400	43,400	43,400	43,400	43,400	27,900
50		36,600	37,100	36,600	36,600	36,600	36,600	36,600	36,600	36,600	36,600	25,300
55		31,100	31,500	31,200	31,200	31,200	31,200	31,200	31,200	31,200	31,200	23,100
60			27,100	26,700	26,700	26,700	26,700	26,700	26,700	26,700	26,700	21,100
65			23,500	23,200	23,200	23,200	23,200	23,200	23,200	23,200	23,200	18,600
70			20,600	20,200	20,200	20,200	20,200	20,200	20,200	20,200	20,200	16,300
75				17,800	17,800	17,800	17,800	17,800	17,800	17,800	17,800	14,300
80				15,800	15,800	15,800	15,800	15,800	15,800	15,800	15,800	12,500
85				14,000	14,000	14,000	14,000	14,000	14,000	14,000	14,000	10,900
90					12,000	12,000	12,000	12,000	12,000	12,000	12,000	9,600
95					10,600	10,600	10,600	10,600	10,600	10,600	10,600	8,300
100					9,400	9,400	9,400	9,400	9,400	9,400	9,400	7,300
105												6,300
110												5,500
115												4,600
120												4,000
125												0 / 3,900
Min. Bm. Ang./Cap.	0 / 33,900	0 / 18,100	0 / 15,400	0 / 12,500	0 / 9,100	0 / 5,600	0 / 3,900					
Radius (ft)	42.8	56.5	71.5	86.5	101.5	116.5	126.2					

Not for crane operations

### 31.0' Hydraulic Offset Fly



26,000 lb



Rated Lifting Capacities  
In Pounds

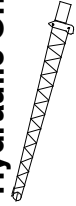


2°-45°

Load Radius (ft)	Boom Length (ft)																			
	41.4				70.3				100.0				130.6				162.0			
	2-15	15-30	30-45		2-15	15-30	30-45		2-15	15-30	30-45		2-15	15-30	30-45		2-15	15-30	30-45	
15	26,300	26,300			33,900															
20	23,800	23,800			25,100	25,100														
25	20,500	17,800	17,800		23,500	23,500														
30	19,000	16,800	15,300		20,700	17,700	17,700													
35	17,700	15,900	14,700		19,700	17,000	15,200	16,900												
40	16,600	15,200	14,000		18,700	16,400	14,800	14,800	16,500											
45	15,700	14,600	13,400		17,900	15,800	14,500	14,500	16,000	16,000	14,500	14,500	17,600	15,600	15,600	14,400	14,400	14,400	14,400	
50	14,900	14,200	13,000		17,100	15,300	14,000	14,000	15,600	15,600	14,300	14,300	17,200	15,300	14,000	14,200	14,200	14,200	14,200	
55	14,300	13,800	12,800		16,400	14,900	13,600	13,600	15,300	15,300	14,000	14,000	16,900	15,100	13,800	14,100	14,400	14,100	13,100	
60	13,900	13,700	12,800		15,800	14,500	13,300	13,300	15,000	15,000	13,600	13,600	16,600	14,800	13,600	14,400	14,400	13,900	12,900	
65					15,300	14,200	13,000	13,000	14,700	14,700	13,400	13,400	16,200	14,600	13,400	14,400	14,400	13,800	12,700	
70					14,800	14,000	12,800	12,800	14,400	14,400	13,100	13,100	15,900	14,400	13,100	14,400	14,400	13,600	12,600	
75					14,400	13,800	12,700	12,700	14,200	14,200	12,900	12,900	14,800	14,200	13,000	14,400	14,400	13,500	12,500	
80					14,100	13,700	12,700	12,700	14,000	14,000	12,800	12,800	13,700	13,900	12,800	13,300	13,300	13,300	12,300	
85					13,800	13,600	12,700	12,700	13,800	13,800	12,600	12,600	12,700	12,900	12,600	12,300	12,300	12,500	12,200	
90					13,700	13,600			13,300	13,300	12,600	12,600	11,900	12,000	12,200	11,400	11,400	11,600	11,900	
95									12,400	12,500	12,500	11,100	11,100	11,200	11,400	10,600	10,600	10,800	11,100	
100									11,700	11,800	11,900	10,400	10,400	10,500	10,700	9,600	9,600	10,000	10,300	
105									10,900	11,100	11,200	9,700	9,700	9,800	10,000	8,500	8,500	9,100	9,500	
110									9,900	10,200	10,300	8,900	8,900	9,200	9,300	7,500	7,500	8,100	8,600	
115									9,100	9,200		8,000	8,000	8,400	8,700	6,700	6,700	7,100	7,600	
120									8,300	8,200		7,200	7,200	7,600	7,800	5,900	5,900	6,300	6,700	
125												6,500	6,500	6,800	7,000	5,100	5,100	5,500	5,900	
130												5,800	5,800	6,100	6,300	4,500	4,500	4,800	5,200	
135												5,200	5,200	5,400	5,600	3,900	3,900	4,200	4,500	
140												4,700	4,700	4,800	4,900	3,300	3,300	3,600	3,900	
145												4,200	4,200	4,300	4,300	2,800	2,800	3,100	3,300	
150												3,700	3,700	3,600		2,300	2,300	2,600	2,800	
155																1,900	1,900	2,100	2,300	
160																1,500	1,500	1,700	1,800	
165																		1,300	1,300	
Min. Bm. Ang./Cap.	0/13,700	0/13,700	0/12,800		0/6,100	0/6,100	0/6,400		0/4,100	0/4,100	0/4,300		0/2,100	0/2,100	0/2,200	31.5/0	32.0/0	32.0/0	32.0/0	
Radius (ft)	64.0	64.0	62.9		92.9	92.7	91.2		122.3	122.6	120.5		153.2	152.9	150.9	165.0	165.0	167.5	167.5	

### 31.0' Hydraulic Offset Fly

Rated Lifting Capacities  
In Pounds



2° - 45°



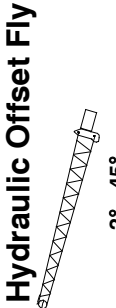
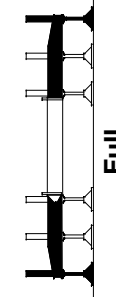
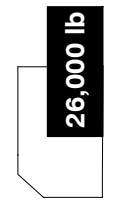
Full

26,000 lb



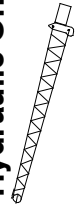
Load Radius (ft)	Boom Length (ft)																								
	41.4					67.3					94.0					121.6					150.0				
	2-15	15-30	30-45	2-15	15-30	30-45	2-15	15-30	30-45	2-15	15-30	30-45	2-15	15-30	30-45	2-15	15-30	30-45	2-15	15-30	30-45				
15	26,300	26,300		34,400			30,200																		
20	23,800	23,800		25,200	25,200		23,600																		
25	20,500	17,800	17,800	23,500	23,500		22,500	23,600																	
30	19,000	16,800	15,300	22,000	17,700	17,700	22,500	22,500	23,600																
35	17,700	15,900	14,700	19,600	16,900	15,200	21,500	17,100	17,100	17,100															
40	16,600	15,200	14,000	18,700	16,300	14,800	19,200	16,600	16,600	14,900	14,900														
45	15,700	14,600	13,400	17,800	15,700	14,400	18,500	16,100	16,100	14,600	14,600	14,600													
50	14,900	14,200	13,000	17,000	15,200	13,900	17,900	15,700	15,700	14,300	14,300	14,300													
55	14,300	13,800	12,800	16,300	14,800	13,500	17,300	15,300	15,300	14,000	14,000	14,000													
60	13,900	13,700	12,800	15,700	14,400	13,200	16,800	15,000	15,000	13,700	13,700	13,700													
65				15,100	14,100	13,000	16,300	14,700	14,700	13,400	13,400	13,400													
70				14,700	13,900	12,800	15,800	14,400	14,400	13,100	13,100	13,100													
75				14,300	13,800	12,800	15,400	14,200	14,200	12,900	12,900	12,900													
80				14,000	13,700	12,800	15,000	14,000	14,000	12,800	12,800	12,800													
85				13,800	13,700		14,600	13,800	13,800	12,700	12,700	12,700													
90							13,900	13,700	13,700	12,600	12,600	12,600													
95							13,100	13,200	13,200	12,600	12,600	12,600													
100							12,000	12,300	12,300	12,500	12,500	12,500													
105							10,900	11,100	11,100	11,300	11,300	11,300													
110							9,900	10,100	10,100	10,300	10,300	10,300													
115							9,100	9,100	9,100	8,400	8,400	8,400													
120										7,300	7,300	7,300													
125										6,500	6,500	6,500													
130										5,900	5,900	5,900													
135										5,300	5,300	5,300													
140										4,700	4,700	4,700													
145																									
150																									
155																									
160																									
165																									
Min. Bm. Ang./Cap.	0/13,700	0/13,700	0/12,800	0/6,900	0/7,000	0/7,200	0/5,000	0/5,000	0/5,000	0/5,300	0/5,300	0/3,100	0/3,100	0/3,100	0/3,900	20.5/0	20.5/0	20.5/0	20.5/0	20.5/0	20.5/0	20.5/0	20.5/0	17.0/0	
Radius (ft)	64.0	64.0	62.9	89.9	89.7	88.2	116.6	116.3	114.6	114.6	114.6	144.2	143.9	142.0	166.7	166.7	166.7	166.7	166.7	166.7	166.7	166.7	166.7	163.2	

Rated Lifting Capacities In Pounds		31.0' Hydraulic Offset Fly													
		Boom Length (ft)													
		54.6				68.7				96.3				124.7	
Load Radius (ft)	2-15	15-30	30-45	2-15	15-30	30-45	2-15	15-30	30-45	2-15	15-30	30-45	2-15	15-30	30-45
15	26,300	26,300	27,100	27,100	34,700	34,700	24,600	24,600	24,600	23,400	23,400	23,400	27,800	27,800	27,800
20	23,800	23,800	24,800	24,800	25,600	25,600	24,600	24,600	24,600	22,200	22,200	22,200	20,200	20,200	20,200
25	20,500	17,800	18,300	18,300	23,800	23,800	24,600	24,600	24,600	20,100	20,100	20,100	19,600	19,600	19,600
30	19,000	16,800	17,400	17,400	22,300	22,300	23,400	23,400	23,400	17,900	17,900	17,900	19,000	19,000	19,000
35	17,700	15,900	16,600	16,600	20,000	20,000	22,200	22,200	22,200	17,100	17,100	17,100	20,200	20,200	20,200
40	16,600	15,200	15,900	15,900	19,000	19,000	20,100	20,100	20,100	16,500	16,500	16,500	19,600	19,600	19,600
45	15,700	14,600	15,300	15,300	18,100	18,100	19,300	19,300	19,300	15,900	15,900	15,900	19,000	19,000	19,000
50	14,900	14,200	14,800	14,800	17,200	17,200	18,600	18,600	18,600	15,400	15,400	15,400	18,500	18,500	18,500
55	14,300	13,800	14,400	14,400	16,500	16,500	17,900	17,900	17,900	15,000	15,000	15,000	18,000	18,000	18,000
60	13,900	13,700	14,100	14,100	15,900	15,900	17,300	17,300	17,300	14,600	14,600	14,600	17,500	17,500	17,500
65			13,800	13,800	15,300	15,300	16,700	16,700	16,700	14,300	14,300	14,300	17,100	17,100	17,100
70			14,000	14,000	14,800	14,800	16,200	16,200	16,200	14,000	14,000	14,000	16,600	16,600	16,600
75			13,800	13,800	14,400	14,400	15,700	15,700	15,700	13,800	13,800	13,800	16,200	16,200	16,200
80					14,100	14,100	15,300	15,300	15,300	13,800	13,800	13,800	15,200	15,200	15,200
85					13,800	13,800	14,900	14,900	14,900	13,700	13,700	13,700	13,400	13,400	13,400
90					13,700	13,700	13,400	13,400	13,400	13,700	13,700	13,700	11,800	11,800	11,800
95							12,000	12,000	12,000				10,400	10,400	10,400
100							10,800	10,800	10,800				9,200	9,200	9,200
105							9,700	9,700	9,700				8,100	8,100	8,100
110							8,700	8,700	8,700				7,200	7,200	7,200
115							7,800	7,800	7,800				6,300	6,300	6,300
120													5,500	5,500	5,500
125													4,800	4,800	4,800
130													4,100	4,100	4,100
135													3,500	3,500	3,500
140													3,000	3,000	3,000
145													2,500	2,500	2,500
Min. Bm. Ang./Cap.	0/13,700	0/13,700	0/10,700	0/11,200	0/9,100	0/9,300	0/6,200	0/6,300	0/6,700	0/9,300	0/9,300	0/6,200	0/2,300	0/2,400	0/2,400
Radius (ft)	64.0	64.0	77.2	75.8	91.3	91.1	118.9	118.6	116.9	89.6	91.1	118.9	147.2	146.9	144.9

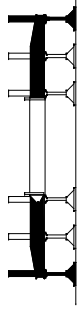


# 55.0' Hydraulic Offset Fly

Rated Lifting Capacities  
In Pounds



2° - 45°



Full

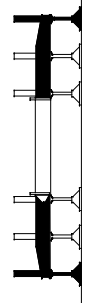
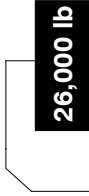
26,000 lb



Load Radius (ft) Offset In°	Boom Length (ft)															
	41.4			70.3			100.0			130.6			162.0			
	2-15	15-30	30-45	2-15	15-30	30-45	2-15	15-30	30-45	2-15	15-30	30-45	2-15	15-30	30-45	
15	20,000															
20	17,900			17,800												
25	13,700	13,700		16,800												
30	12,700	12,700		15,700	15,100											
35	11,800	11,800		12,400	14,500											
40	11,000	9,700	9,700	11,800	11,800											
45	10,300	9,200	9,200	11,200	11,400	9,600										
50	9,700	8,800	7,700	10,700	10,900	9,300	9,300									
55	9,200	8,400	7,400	10,200	10,600	7,700	7,700	9,100	9,100							
60	8,700	8,100	7,000	9,700	10,200	7,400	7,400	8,800	8,800	10,100						
65	8,300	7,800	6,800	9,400	9,800	7,200	7,200	8,600	7,300	9,900	8,600	8,600				
70	8,000	7,500	6,600	9,000	9,500	7,000	7,000	8,400	7,100	9,600	8,400	7,200	9,100			
75	7,600	7,200	6,600	8,700	9,200	6,800	6,800	8,200	7,000	9,400	8,200	7,000	9,000			
80	7,300	7,000	6,600	8,400	9,000	6,600	6,600	8,000	6,800	9,100	8,100	6,900	8,800			
85	7,000	7,000		8,100	8,700	6,500	6,500	7,800	6,700	8,900	7,900	6,800	8,600			
90				7,900	8,500	6,400	6,400	7,700	6,600	8,700	7,800	6,700	8,500			
95				7,700	8,300	6,400	6,400	7,600	6,500	8,500	7,700	6,600	8,400			
100				7,400	8,100	6,400	6,400	7,400	6,400	8,400	7,500	6,500	8,200			
105				7,200	7,900	6,400	6,400	7,300	6,300	8,200	7,400	6,400	8,100			
110				7,000	7,700	6,400	6,400	7,100	6,300	8,000	7,300	6,300	7,700			
115				6,900	7,600	6,900	6,900	7,000	6,300	7,600	7,200	6,300	7,200			
120					7,400			6,900	6,300	7,100	7,100	6,200	6,600			
125					7,200			6,800	6,300	6,700	6,800	6,200	5,800			
130					7,100			6,800	6,300	6,200	6,400	6,200	5,200			
135					6,900			6,800	6,300	5,800	6,000	6,100	4,500			
140					6,500			6,700	6,300	5,400	5,600	5,700	4,000			
145					6,000			6,100	6,300	4,900	5,200	5,400	3,400			
150									6,300	4,400	4,700	5,000	3,000			
155									6,300	3,900	4,200	4,400	2,500			
160									6,300	3,500	3,700	3,800	2,100			
165									6,300	3,100	3,300	3,400	1,700			
170									6,300	2,800	2,900		1,300			
175									6,300	2,400						
180									6,300							
Min Bm. Ang./Cap.	0/7,000	0/7,000	0/6,600	0/3,900	0/2,400	0/4,200	0/4,200	0/2,500	0/2,600	15.0/0	14.5/0	0/1,100	41.0/0	42.0/0	42.0/0	
Radius (ft)	88.0	87.9	86.2	116.9	146.6	114.0	146.6	146.0	143.0	175.6	170.7	173.1	173.3	178.3	181.3	

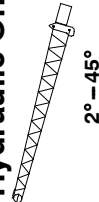
Not for crane operations

# 55.0' Hydraulic Offset Fly



Full

## Rated Lifting Capacities In Pounds

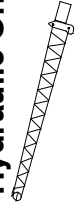


2°-45°

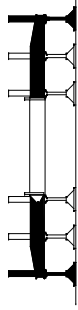
Load Radius (ft)	Boom Length (ft)																				
	41.4				67.3				94.0				121.6				150.0				
	2-15	15-30	30-45		2-15	15-30	30-45		2-15	15-30	30-45		2-15	15-30	30-45		2-15	15-30	30-45		
15	20,000																				
20	17,900				18,100																
25	13,700	13,700			16,900																
30	12,700	12,700		13,200	13,200	15,700															
35	11,800	11,800		12,400	12,400	15,000															
40	11,000	9,700	9,700	11,800	11,800	12,000															
45	10,300	9,200	9,200	9,600	9,600	11,500	9,600														
50	9,700	8,800	7,700	9,200	9,200	11,000	9,200	9,400													
55	9,200	8,400	7,400	8,900	8,900	10,600	7,700	9,100	9,100												
60	8,700	8,100	7,000	8,600	8,600	10,200	7,400	8,900	8,900	8,900											
65	8,300	7,800	6,800	8,300	8,300	9,900	7,200	8,600	8,600	8,700	8,700										
70	8,000	7,500	6,600	8,100	8,100	9,500	7,000	8,400	8,400	8,500	8,500										
75	7,600	7,200	6,600	7,900	7,900	9,200	6,800	8,200	8,200	8,300	8,300	8,900									
80	7,300	7,000	6,600	7,700	7,700	8,900	6,600	8,000	8,000	8,100	8,100	8,700	8,700								
85	7,000	7,000		7,500	7,500	8,700	6,500	7,800	7,800	8,000	8,000	8,500	8,500	10,200							
90				7,300	7,300	8,400	6,400	7,700	7,700	8,000	8,000	8,500	8,500	10,000	10,000						
95				7,600	7,100	8,200	6,400	7,500	7,500	8,200	8,200	8,700	8,700	9,800	9,800						
100				7,300	7,000	8,000	6,400	7,400	7,400	8,000	8,000	8,500	8,500	9,600	9,600						
105				7,100	6,900	7,800	6,400	7,200	7,200	7,800	7,800	8,300	8,300	9,400	9,400						
110				6,900	6,900	7,700	6,400	7,100	7,100	7,700	7,700	8,200	8,200	9,200	9,200						
115						7,500	6,400	7,000	7,000	7,500	7,500	8,000	8,000	9,000	9,000						
120						7,300	6,400	6,900	6,900	7,300	7,300	7,800	7,800	8,800	8,800						
125						7,100	6,400			7,100	7,100	7,600	7,600	8,600	8,600						
130						6,900	6,400			6,900	6,900	7,400	7,400	8,400	8,400						
135						6,900	6,400			6,900	6,900	7,400	7,400	8,400	8,400						
140						6,600	6,400			6,600	6,600	7,100	7,100	8,100	8,100						
145						6,600	6,400			6,600	6,600	7,100	7,100	8,100	8,100						
150						6,900	6,400			6,900	6,900	7,400	7,400	8,400	8,400						
155						6,600	6,400			6,600	6,600	7,100	7,100	8,100	8,100						
160						6,600	6,400			6,600	6,600	7,100	7,100	8,100	8,100						
165						6,600	6,400			6,600	6,600	7,100	7,100	8,100	8,100						
170						6,600	6,400			6,600	6,600	7,100	7,100	8,100	8,100						
175						6,600	6,400			6,600	6,600	7,100	7,100	8,100	8,100						
Min. Bm. Ang./Cap.	0/7,000	0/7,000	0/6,600	0/4,500	0/4,400	0/3,100	0/4,800	0/3,200	0/3,100	0/1,700	0/1,800	0/1,900	0/1,900	33.5/0	34.5/0	34.5/0	34.5/0	34.5/0	34.5/0	34.5/0	34.5/0
Radius (ft)	88.0	87.9	86.2	113.5	113.9	140.6	111.1	140.0	137.1	168.2	167.5	164.2	164.2	175.0	180.0	180.0	180.0	180.0	180.0	180.0	179.2

# 55.0' Hydraulic Offset Fly

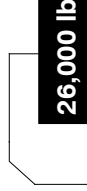
Rated Lifting Capacities  
In Pounds



2° - 45°



Full



26,000 lb

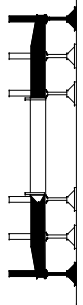


Load Radius (ft)	Boom Length (ft)																			
	41.4				54.6				68.7				96.3				124.7			
	2-15	15-30	30-45		2-15	15-30	30-45		2-15	15-30	30-45		2-15	15-30	30-45		2-15	15-30	30-45	
15	20,000				18,500				19,000				17,900							
20	17,900				16,900				17,600				16,900							
25	13,700	13,700			13,100	13,100			13,400	13,400			16,000							
30	12,700	12,700			12,200	12,200			12,700	12,700			16,000							
35	11,800	11,800			11,500	10,000	10,000		12,000	12,000			12,400	12,400						
40	11,000	9,700	9,700		10,800	9,500	9,500		11,300	9,700	9,700		11,900	11,900						
45	10,300	9,200	9,200		10,300	9,100	7,900		10,800	9,300	9,300		11,400	9,600	9,600					
50	9,700	8,800	7,700		9,800	8,700	7,600		10,300	9,000	7,700		10,900	9,300	9,300					
55	9,200	8,400	7,400		9,300	8,400	7,300		9,800	8,700	7,500		10,500	9,000	7,600					
60	8,700	8,100	7,000		8,900	8,100	7,000		9,400	8,400	7,200		10,100	8,800	7,400					
65	8,300	7,800	6,800		8,500	7,900	6,800		9,000	8,200	7,000		9,800	8,500	7,200					
70	8,000	7,500	6,600		8,200	7,600	6,600		8,700	7,900	6,800		9,400	8,300	7,100					
75	7,600	7,200	6,600		7,900	7,400	6,500		8,400	7,800	6,700		9,100	8,100	6,900					
80	7,300	7,000	6,600		7,600	7,200	6,400		8,100	7,500	6,500		8,900	8,000	6,800					
85	7,000	7,000			7,300	7,000	6,400		7,900	7,300	6,500		8,600	7,800	6,700					
90					7,100	7,000			7,700	7,100	6,400		8,400	7,700	6,600					
95					7,000				7,400	7,000	6,400		8,200	7,500	6,500					
100									7,200		6,400		8,000	7,300	6,400					
105									7,000		6,400		7,800	7,200	6,400					
110									7,000		6,900		7,600	7,100	6,400					
115									7,000		6,400		7,400	7,100	6,400					
120									7,000		6,400		7,400	7,000	6,400					
125									7,000		6,400		7,200	6,900	6,400					
130									7,000		6,400		6,700	6,900	6,400					
135									7,000		6,400		6,100	6,300	6,400					
140									7,000		6,400		5,600	5,700	6,400					
145									7,000		6,400		5,600	5,700	6,400					
150									7,000		6,400		5,600	5,700	6,400					
155									7,000		6,400		5,600	5,700	6,400					
160									7,000		6,400		5,600	5,700	6,400					
165									7,000		6,400		5,600	5,700	6,400					
170									7,000		6,400		5,600	5,700	6,400					
Min. Bm. Ang./Cap.	0/7,000	0/7,000	0/6,600		0/6,700	0/6,800	0/6,400		0/5,800	0/6,000	0/6,400		0/3,900	0/4,000	0/4,300		0/1,400	0/1,400	0/1,500	
Radius (ft)	88.0	87.9	86.2		101.2	100.9	98.8		115.3	114.9	112.5		142.9	142.3	139.4		171.3	170.6	167.3	

Not for crane operations

# 73.0' Hydraulic Offset Fly

**Rated Lifting Capacities  
In Pounds**



**26,000 lb**

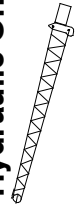


Load Radius (ft)	Boom Length (ft)																			
	41.4				70.3				100.0				130.6				162.0			
	2-15	15-30	30-45		2-15	15-30	30-45		2-15	15-30	30-45		2-15	15-30	30-45		2-15	15-30	30-45	
20	18,000				15,500															
25	16,700				14,900															
30	13,300	13,300																		
35	12,500	12,500	10,100	12,400	12,400	12,400		13,200												
40	11,800	10,100	9,700	11,900	11,900	11,900		12,800	11,000											
45	11,100	9,700	9,300	11,400	11,400	11,400		11,000	11,000											
50	10,600	9,300	7,700	9,400	10,900	9,400	9,400	10,700	10,700	8,800										
55	10,000	8,900	7,400	9,100	10,500	9,100	9,100	10,400	10,400	8,800	8,800									
60	9,300	8,600	7,200	8,800	10,100	8,800	7,500	10,100	8,800	8,800	8,800									
65	8,500	8,300	6,900	8,600	9,600	8,600	7,300	9,800	8,600	8,600	8,600									
70	7,900	7,700	6,700	8,300	9,000	8,300	7,100	9,600	8,400	8,400	7,200									
75	7,300	7,200	6,200	7,800	8,400	7,800	7,000	9,100	8,000	8,000	7,000									
80	6,800	6,700	5,900	7,300	7,900	7,300	6,800	8,600	7,600	7,600	6,900									
85	6,300	6,200	5,600	6,900	7,400	6,900	6,600	8,200	7,300	7,300	6,700									
90	6,000	5,900	5,400	6,500	7,000	6,500	6,300	7,700	6,900	6,900	6,400									
95	5,600	5,600	5,200	6,200	6,600	6,200	6,000	7,400	6,600	6,600	6,100									
100	5,400	5,400	5,100	5,900	6,300	5,900	5,800	7,000	6,300	6,300	5,900									
105	5,400			5,700	6,000	5,700	5,600	6,700	6,100	6,100	5,700									
110				5,500	5,700	5,400	5,400	6,400	5,800	5,800	5,500									
115				5,300	5,500	5,300	5,300	6,100	5,600	5,600	5,400									
120				5,200	5,300	5,200	5,200	5,900	5,400	5,400	5,200									
125				5,200	5,200	5,100	5,100	5,700	5,300	5,300	5,100									
130				5,200				5,500	5,100	5,100	5,000									
135								5,300	5,000	5,000	4,900									
140								5,200	4,900	4,900	4,900									
145								5,000	4,900	4,900	4,800									
150								4,700	4,700	4,700	4,800									
155								4,500	4,500	4,500	4,600									
160								4,400	4,400	4,400										
165																				
170																				
175																				
180																				
185																				
190																				
Min. Bm. Ang./Cap.	0/5,400	0/5,400	0/5,400	0/5,100	0/5,000	0/5,100	0/5,100	0/3,600	0/3,600	0/3,600	0/3,900									
Radius (ft)	105.9	105.4	103.0	134.1	134.8	131.2	164.5	163.7	160.4	192.5	189.6	184.4	168.8	175.0	178.8	51.5/0	51.0/0	51.0/0	51.5/0	178.8

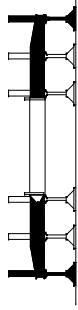


# 73.0' Hydraulic Offset Fly

Rated Lifting Capacities  
In Pounds



2° - 45°



Full

26,000 lb

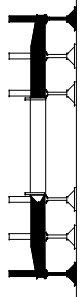


Load Radius (ft)	Boom Length (ft)																			
	41.4				67.3				94.0				121.6				150.0			
	2-15	15-30	30-45		2-15	15-30	30-45		2-15	15-30	30-45		2-15	15-30	30-45		2-15	15-30	30-45	
20	18,000																			
25	16,700	15,800																		
30	13,300	15,100																		
35	12,500	12,500	10,100		13,600	12,500														
40	11,800	12,000	10,100		11,600	12,000														
45	11,100	11,400	9,700		11,300	11,400														
50	10,600	9,300	9,300		10,900	9,400	9,400													
55	10,000	8,900	8,100		10,600	9,100	9,100													
60	9,300	8,600	7,900		10,200	8,800	7,900													
65	8,500	8,300	7,700		9,900	8,600	7,800													
70	7,900	7,700	7,400		9,600	8,400	7,600													
75	7,300	7,200	7,200		9,000	8,000	7,400													
80	6,800	6,700	6,700		8,500	7,600	7,000													
85	6,300	6,200	6,200		8,100	7,200	6,600													
90	6,000	5,900	5,900		7,600	6,900	6,300													
95	5,600	5,600	5,600		7,300	6,600	6,000													
100	5,400	5,400	5,400		6,900	6,300	5,800													
105	5,400				6,600	6,000	5,600													
110					6,300	5,800	5,400													
115					6,000	5,600	5,300													
120					5,900	5,600	5,200													
125					5,700	5,400	5,200													
130					5,500	5,300	5,200													
135					5,300	5,200	5,200													
140					5,200	5,200	5,200													
145					5,200															
150					5,000	4,900	4,900													
155					4,900	4,900	4,900													
160																				
165																				
170																				
175																				
180																				
185																				
Min. Bm. Ang./Cap.	0/5,400	0/5,400	0/5,400		0/3,800	0/3,900	0/4,200		0/1,700	0/1,700	0/1,800		45.0/0	46.0/0	46.5/0					
Radius (ft)	105.9	105.4	103.0		131.8	131.1	128.2		157.7	154.4	181.7		171.7	176.7	180.0					

Load Radius (ft)		73.0' Hydraulic Offset Fly																	
		41.4				54.6				68.7				96.3				124.7	
Offset In °		2-15	15-30	30-45	2-15	15-30	30-45	2-15	15-30	30-45	2-15	15-30	30-45	2-15	15-30	30-45	2-15	15-30	30-45
20	18,000				16,700						15,400								
25	16,700				15,900						14,900								
30	13,300		13,300		12,900	13,400					12,300	12,300			13,000				
35	12,500		12,500		12,000	12,700					11,900	11,900			12,700				
40	11,800		10,100	10,100	11,700	9,800	9,800				11,500	11,500	9,400	9,400	12,400				
45	11,100		9,700	9,700	11,200	9,400	9,400				11,100	11,100	9,200	9,200	10,700	10,700			
50	10,600		9,300	9,300	10,800	9,100	7,800	7,800			10,700	10,700	9,100	9,100	10,400	10,400			
55	10,000		8,900	7,700	10,300	8,800	7,500	7,500			10,400	10,400	8,900	8,900	10,100	8,700			
60	9,300		8,600	7,400	9,700	8,500	7,300	7,300			9,900	9,900	8,700	8,700	9,900	8,600			
65	8,500		8,300	7,200	8,500	8,100	7,100	7,100			9,400	9,400	8,200	8,200	9,700	8,400			
70	7,900		7,700	6,900	7,400	7,000	6,900	6,900			8,800	8,800	7,800	7,800	9,400	8,000			
75	7,300		7,200	6,700	7,000	6,600	6,200	6,200			8,300	8,300	7,400	7,400	8,900	7,700			
80	6,800		6,700	6,600	6,700	6,500	6,200	6,200			7,900	7,900	7,100	7,100	8,500	7,300			
85	6,300		6,200	6,200	6,700	6,600	6,500	6,500			7,500	7,500	6,900	6,900	8,900	8,000			
90	6,000		5,900	5,900	6,500	6,200	6,200	6,200			7,000	7,000	6,400	6,400	8,500	7,600			
95	5,600		5,600	5,600	6,100	5,900	5,900	5,900			6,800	6,800	6,300	6,300	8,100	7,000			
100	5,400		5,400	5,400	5,800	5,600	5,600	5,600			7,200	7,200	6,100	6,100	7,700	6,700			
105	5,400				6,000	5,400	5,400	5,400			6,800	6,800	5,900	5,900	7,400	6,500			
110					5,800	5,300	5,300	5,300			6,500	6,500	5,700	5,700	7,100	6,200			
115					5,500	5,300	5,300	5,300			6,200	6,200	5,500	5,500	6,800	6,000			
120					5,400						6,000	6,000	5,200	5,200	6,500	5,800			
125					5,300						5,800	5,800	5,200	5,200	5,800	5,600			
130					5,300						5,600	5,600	5,100	5,100	5,500	5,100			
135											5,400	5,400	5,100	5,100	5,000	5,000			
140											5,300	5,300	5,000	5,000	4,900	4,900			
145											4,900	4,900	5,000	5,000	3,900	4,400			
150											4,400	4,400	4,600	4,800	3,400	3,800			
155											4,000	4,100	4,100	4,800	2,900	3,300			
160											3,600	3,600	4,100	4,800	2,400	2,800			
165															2,000	2,300			
170															1,600	1,900			
Min. Bm. Ang./Cap.	0/5,400	0/5,400	0/5,400	0/5,300	0/4,900	0/5,300	0/5,300	0/5,300	0/5,000	0/5,200	0/3,300	0/3,400	0/3,600	0/3,500	32.5/0	32.5/0			
Radius (ft)	105.9	105.4	103.0	119.1	133.2	132.5	129.6	160.8	160.0	156.7	171.7	175.0	175.0	171.7	175.0	175.0			



26,000 lb



Full

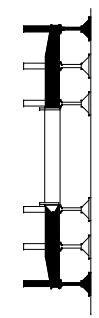
73.0' Hydraulic Offset Fly



2°-45°

# 91.0' Hydraulic Offset Fly

**Rated Lifting Capacities  
In Pounds**



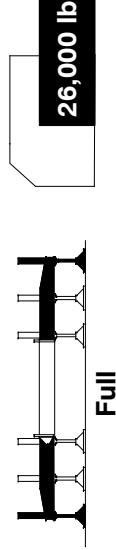
**26,000 lb**



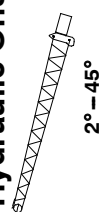
Load Radius (ft)	Boom Length (ft)															
	41.4				70.3				130.6				162.0			
	2-15	15-30	30-45		2-15	15-30	30-45		2-15	15-30	30-45		2-15	15-30	30-45	
25	15,900															
30	13,300	13,300			13,300											
35	12,600	12,600			13,000											
40	11,800	12,100			11,300	11,300										
45	10,500	9,800	9,800		11,000	11,000										
50	9,400	9,500	9,500		10,100	10,100										
55	8,400	8,700	7,900		9,200	9,000	9,000									
60	7,600	7,800	7,600		8,500	8,200	8,200									
65	6,900	7,100	7,400		7,800	7,600	7,400	7,400								
70	6,300	6,400	6,700		7,200	7,000	7,000	7,000								
75	5,700	5,800	6,100		6,600	6,400	6,400	6,200								
80	5,200	5,300	5,500		6,100	5,900	5,900	5,800								
85	4,800	4,900	5,000		5,700	5,500	5,500	5,500								
90	4,400	4,500	4,600		5,300	5,100	5,100	5,100								
95	4,100	4,100	4,200		4,900	4,800	4,800	4,800								
100	3,800	3,800	3,800		4,600	4,400	4,400	4,500								
105	3,500	3,500	3,600		4,200	4,100	4,100	4,300								
110	3,300	3,300	3,300		4,000	3,900	3,900	4,100								
115	3,100	3,100	3,100		3,700	3,600	3,600	3,800								
120	3,000	3,000			3,500	3,400	3,400	3,600								
125					3,300	3,200	3,200	3,400								
130					3,100	3,100	3,100	3,300								
135					3,000	2,900	2,900	3,100								
140					2,900	2,900	2,900	3,100								
145					2,900	2,800	2,800	2,900								
150					2,900	2,800		2,800								
155								2,700								
160								2,700								
165								2,700								
170								2,700								
175								2,700								
180								2,700								
185																
190																
Min Bm. Ang./Cap.	0/3,000	0/3,000	0/3,100		0/2,900	0/2,800	0/2,800	0/2,800								
Radius (ft)	123.9	123.3	120.6		152.8	148.9	148.9	148.9								
					181.6	178.2	178.2	178.2								
					182.5	182.5	182.5	182.5								
					186.3	188.3	188.3	188.3								
					191.7	193.8	193.8	193.8								
					37.5/0	37.5/0	37.5/0	37.5/0								
					55.5/0	55.5/0	55.5/0	55.5/0								
					167.5	167.5	167.5	167.5								
					173.8	173.8	173.8	173.8								
					178.8	178.8	178.8	178.8								
					57.0/0	57.0/0	57.0/0	57.0/0								
					57.5/0	57.5/0	57.5/0	57.5/0								
					173.8	173.8	173.8	173.8								
					178.8	178.8	178.8	178.8								
					57.5/0	57.5/0	57.5/0	57.5/0								
					57.0/0	57.0/0	57.0/0	57.0/0								
					173.8	173.8	173.8	173.8								
					178.8	178.8	178.8	178.8								

Not for crane operations

# 91.0' Hydraulic Offset Fly



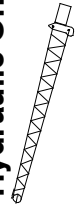
## Rated Lifting Capacities In Pounds



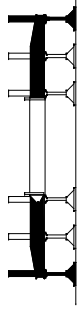
Load Radius (ft)	Boom Length (ft)															
	41.4			67.3			94.0			121.6			150.0			
	2-15	15-30	30-45	2-15	15-30	30-45	2-15	15-30	30-45	2-15	15-30	30-45	2-15	15-30	30-45	
25	15,900															
30	13,300	13,300														
35	12,600	12,600														
40	11,800	12,100		11,500			11,400									
45	10,500	9,800	9,800	11,100			11,400	10,400					9,300			
50	9,400	9,500	9,500	10,100			10,200	10,200					9,300			
55	8,400	8,700	8,200	9,000			9,400	9,400					9,200			
60	7,600	7,800	7,600	8,300			8,700	8,100	8,100				8,800			
65	6,900	7,100	7,400	7,600			8,100	7,500	7,500				8,200			
70	6,300	6,400	6,700	7,000			7,500	7,000	6,700				7,300			
75	5,700	5,800	6,100	6,400			7,000	6,500	6,300				7,300			
80	5,200	5,300	5,500	5,900			6,500	6,100	5,900				6,900			
85	4,800	4,900	5,000	5,500			6,100	5,700	5,500				6,500			
90	4,400	4,500	4,600	5,100			5,700	5,300	5,200				6,100			
95	4,100	4,100	4,200	4,700			5,300	5,000	4,800				5,700			
100	3,800	3,800	3,800	4,400			5,000	4,700	4,600				5,400			
105	3,500	3,500	3,600	4,100			4,700	4,400	4,300				5,100			
110	3,300	3,300	3,300	3,800			4,400	4,200	4,000				4,800			
115	3,100	3,100	3,100	3,600			4,200	3,900	3,800				4,500			
120	3,000	3,000		3,400			3,900	3,700	3,600				4,300			
125				3,200			3,700	3,500	3,400				4,100			
130				3,000			3,500	3,300	3,300				3,900			
135				2,900			3,300	3,200	3,100				3,700			
140				2,900			3,200	3,000	3,000				3,500			
145				2,900			3,000	2,900	2,900				3,300			
150							2,900	2,800	2,800				3,200			
155							2,800	2,700	2,700				3,000			
160							2,800	2,700	2,700				2,900			
165							2,700	2,700	2,700				2,800			
170							2,700	2,700	2,700				2,600			
175							2,700	2,700	2,700				2,600			
180							2,700	2,700	2,700				2,500			
185							2,700	2,700	2,700				2,500			
190							2,700	2,700	2,700				2,500			
195							2,700	2,700	2,700				2,500			
Min. Bm. Ang./Cap.	0/3,000	0/3,000	0/3,100	0/2,900	0/2,900	0/2,900	0/2,100	0/2,100	0/2,300	0/2,300	0/2,300	26.5/0	51.0/0	52.0/0	52.0/0	52.0/0
Radius (ft)	123.9	123.3	120.6	149.8	149.1	146.0	176.5	175.7	172.3	193.3	195.7	190.5	172.0	177.5	170.5	182.5

# 91.0' Hydraulic Offset Fly

Rated Lifting Capacities  
In Pounds



2° - 45°



Full

26,000 lb



Load Radius (ft) Offset In °	Boom Length (ft)														
	41.4			54.6			68.7			96.3			124.7		
	2-15	15-30	30-45	2-15	15-30	30-45	2-15	15-30	30-45	2-15	15-30	30-45	2-15	15-30	30-45
25	15,900			15,000											
30	13,300	13,300		14,600			14,500								
35	12,600	12,600		12,400	12,400		14,000								
40	11,800	12,100		11,900	11,900		12,000	12,000							
45	10,500	9,800	9,800	11,100	11,100		11,400	11,400							
50	9,400	9,500	9,500	10,000	9,500	9,500	10,300	9,500	9,500	9,500	10,700	10,700	10,500		
55	8,400	8,700	7,900	9,100	9,100	9,200	9,400	9,200	9,200	9,200	9,800	9,800	10,500		
60	7,600	7,800	7,600	8,200	8,200	7,600	8,600	8,400	8,400	8,400	8,400	8,400	9,200		
65	6,900	7,100	7,400	7,500	7,500	7,400	7,900	7,700	7,500	7,500	7,800	7,800	8,600		
70	6,300	6,400	6,700	6,900	6,900	6,900	7,300	7,100	7,100	7,100	7,300	7,300	8,100		
75	5,700	5,800	6,100	6,300	6,300	6,300	6,700	6,600	6,600	6,600	6,800	6,800	7,600	6,800	6,800
80	5,200	5,300	5,500	5,800	5,800	5,800	6,200	6,100	6,100	6,100	6,300	6,300	7,100	6,400	6,400
85	4,800	4,900	5,000	5,300	5,300	5,300	5,800	5,600	5,600	5,600	5,900	5,900	6,700	6,000	5,600
90	4,400	4,500	4,600	4,900	4,900	4,900	5,300	5,200	5,200	5,200	5,600	5,600	6,300	5,700	5,300
95	4,100	4,100	4,200	4,500	4,500	4,500	5,000	4,800	4,800	4,800	5,200	5,200	5,900	5,400	5,000
100	3,800	3,800	3,800	4,200	4,200	4,200	4,600	4,500	4,500	4,500	4,900	4,900	5,600	5,100	4,800
105	3,500	3,500	3,600	3,900	3,900	3,900	4,300	4,200	4,200	4,200	4,600	4,600	5,300	4,800	4,500
110	3,300	3,300	3,300	3,600	3,600	3,600	4,000	3,900	3,900	3,900	4,400	4,400	5,000	4,600	4,300
115	3,100	3,100	3,100	3,400	3,400	3,400	3,800	3,700	3,700	3,700	4,100	4,100	4,700	4,300	4,100
120	3,000	3,000		3,200	3,200	3,200	3,500	3,500	3,500	3,500	3,900	3,900	4,500	4,100	3,900
125				3,100	3,000	3,000	3,300	3,300	3,300	3,300	3,700	3,700	4,300	3,900	3,700
130				3,000	3,000	3,000	3,200	3,100	3,100	3,100	3,500	3,500	4,000	3,700	3,500
135				3,000	3,000		3,000	3,000	3,000	3,000	3,300	3,300	3,800	3,500	3,400
140							2,900	2,900	2,900	2,900	3,200	3,100	3,700	3,400	3,200
145							2,900	2,900			3,000	3,000	3,400	3,200	3,100
150							2,900	2,900			2,900	2,900	2,900	3,100	3,000
155											2,800	2,800	2,400	2,900	2,900
160											2,800	2,800	2,000	2,400	2,800
165											2,800	2,700	1,600	2,000	2,400
170											2,800	2,700	1,200	1,600	1,900
175											2,400	2,500		1,200	1,500
Min. Bm. Ang./Cap.	0/3,000	0/3,000	0/3,100	0/3,000	0/3,000	0/3,000	0/2,900	0/2,900	0/2,900	0/2,900	0/1,700	0/1,700	41.5/0	42.0/0	42.5/0
Radius (ft)	123.9	123.3	120.6	137.1	136.4	133.5	151.2	150.5	147.3	178.8	178.0	174.5	171.7	176.3	180.0

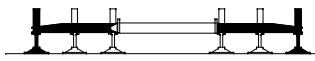
Not for crane operations

**This Page Left Blank Intentionally**

For sales use only

Not for crane operations

**Rated Lifting Capacities  
In Pounds**



**Full**

**29,000 lb**

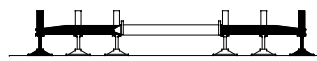


Load Radius (ft)	41.4 ft			55.0 ft			70.0 ft					
	$\Delta^\circ$	360°	Over Front	$\Delta^\circ$	360°	Over Front	$\Delta^\circ$	360°	Over Front			
9	70.5	260,000	260,000									
10	69.0	240,600	240,600	74.5	77,300	77,300	77.5	51,000	51,000			
12	66.0	218,000	218,000	72.5	77,300	77,300	76.5	51,000	51,000			
15	61.0	186,400	186,400	69.0	77,300	77,300	74.0	51,000	51,000			
20	52.0	138,400	138,400	63.0	77,300	77,300	69.5	51,000	51,000			
25	41.5	108,500	108,500	57.0	77,300	77,300	65.0	51,000	51,000			
30	27.5	88,100	88,300	50.0	77,300	77,300	60.0	51,000	51,000			
35				42.0	69,900	70,600				55.0	49,600	49,600
40				32.5	54,800	55,300				50.0	45,100	45,100
45				18.0	44,300	44,800	44.0	41,400	41,400			
50							37.0	38,200	38,200			
55							28.5	33,600	34,000			
60							15.5	28,900	29,300			
Min.Bm. Ang./Cap.	0.0	63,500	63,500	0.0	26,500	26,500	0.0	13,900	13,900			
Radius (ft)	32.8			46.5			61.5					

Load Radius (ft)	85.0 ft			100.0 ft			115.0 ft					
	$\Delta^\circ$	360°	Over Front	$\Delta^\circ$	360°	Over Front	$\Delta^\circ$	360°	Over Front			
15	76.5	51,200	51,200									
20	73.5	51,200	51,200	76.0	47,900	47,900						
25	70.0	51,200	51,200	73.5	47,900	47,900	76.0	48,100	48,100			
30	66.5	51,200	51,200	70.5	43,600	43,600	73.5	44,400	44,400			
35	62.5	46,700	46,700	67.5	39,300	39,300	71.0	40,100	40,100			
40	58.5	42,300	42,300	64.0	35,600	35,600	68.5	36,500	36,500			
45	54.5	38,800	38,800	61.0	32,500	32,500	65.5	33,300	33,300			
50	50.0	35,700	35,700	57.5	29,800	29,800	63.0	30,600	30,600			
55	45.0	33,000	33,000	54.0	27,500	27,500	60.0	28,200	28,200			
60	40.0	29,800	30,100	50.0	25,500	25,500	57.0	26,200	26,200			
65	33.5	26,000	26,300	46.0	23,700	23,700	53.5	24,300	24,300			
70	26.0	22,900	23,200	41.5	22,100	22,100	50.5	22,700	22,700			
75	14.0	20,300	20,600	36.5	20,800	20,900	47.0	20,500	20,800			
80				31.0	18,500	18,800				43.0	18,300	18,600
85				24.0	16,700	16,900				39.0	16,500	16,800
90				13.0	15,100	15,300	34.0	14,900	15,100			
95							29.0	13,400	13,600			
100							22.5	12,100	12,300			
105							12.5	11,000	11,200			
Min.Bm. Ang./Cap.	0.0	11,800	11,800	0.0	9,400	9,400	0.0	7,800	7,800			
Radius (ft)	76.5			91.5			106.5					

Not for crane operations

**Rated Lifting Capacities  
In Pounds**



**Full**

**29,000 lb**



Load Radius (ft)	130.0 ft			145.0 ft		
	$\Delta$ °	360°	Over Front	$\Delta$ °	360°	Over Front
25	77.5	37,100	37,100			
30	75.5	37,100	37,100	77.5	32,800	32,800
35	73.5	36,000	36,000	75.5	32,800	32,800
40	71.5	32,700	32,700	74.0	32,800	32,800
45	69.0	29,800	29,800	72.0	31,500	31,500
50	66.5	27,300	27,300	70.0	28,900	28,900
55	64.0	25,200	25,200	68.0	26,700	26,700
60	61.5	23,300	23,300	65.5	24,700	24,700
65	59.0	21,600	21,600	63.5	22,900	22,900
70	56.0	20,300	20,300	61.0	21,300	21,300
75	53.5	18,900	18,900	58.5	19,500	19,800
80	50.5	17,700	17,700	56.0	17,400	17,600
85	47.5	16,300	16,600	53.5	15,700	15,900
90	44.0	14,700	14,900	51.0	14,100	14,300
95	40.5	13,300	13,500	48.0	12,700	12,900
100	36.5	12,000	12,200	45.0	11,400	11,600
105	32.5	10,800	11,000	42.0	10,300	10,500
110	27.5	9,800	10,000	38.5	9,300	9,400
115	21.0	8,900	9,000	35.0	8,300	8,500
120	11.5	8,100	8,200	30.5	7,500	7,600
125				26.0	6,700	6,900
130				20.5	6,000	6,200
135				11.0	5,400	5,600
Min. Bm. Ang./Cap.	0.0	6,000	6,000	0.0	4,600	4,600
Radius (ft)		121.5			136.5	

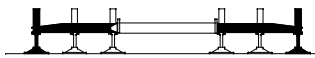
  

Load Radius (ft)	155.0 ft			162.0 ft		
	$\Delta$ °	360°	Over Front	$\Delta$ °	360°	Over Front
35	77.0	28,900	28,900	77.0	26,100	26,100
40	75.5	28,900	28,900	76.0	26,100	26,100
45	73.5	28,900	28,900	74.5	26,100	26,100
50	72.0	27,200	27,200	72.5	26,100	26,100
55	70.0	25,100	25,100	71.0	24,100	24,100
60	68.0	23,200	23,200	69.0	22,200	22,200
65	66.0	21,500	21,500	67.0	20,700	20,700
70	63.5	20,100	20,100	65.0	19,200	19,200
75	61.5	18,700	18,700	63.0	17,900	17,900
80	59.5	17,100	17,200	61.0	16,700	16,700
85	57.0	15,300	15,600	59.0	15,100	15,300
90	54.5	13,700	13,900	56.5	13,500	13,700
95	52.0	12,300	12,500	54.0	12,100	12,300
100	49.5	11,000	11,200	51.5	10,800	11,000
105	46.5	9,900	10,100	49.0	9,700	9,900
110	43.5	8,900	9,100	46.5	8,700	8,900
115	40.5	8,000	8,200	44.0	7,800	8,000
120	37.5	7,200	7,300	41.0	7,000	7,100
125	34.0	6,400	6,600	38.0	6,200	6,400
130	30.0	5,700	5,900	34.5	5,500	5,700
135	25.5	5,100	5,200	31.0	4,900	5,000
140	20.0	4,500	4,600	26.5	4,300	4,400
145	11.0	4,000	4,100	21.5	3,800	3,900
150				15.0	3,300	3,400
Min. Bm. Ang./Cap.	0.0	3,900	4,000	0.0	3,000	3,100
Radius (ft)		146.5			153.5	

Not for crane operations



**Rated Lifting Capacities  
In Pounds**



**Full**

**29,000 lb**

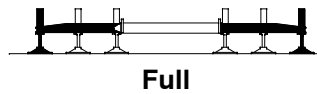


Load Radius (ft)	41.4 ft			55.0 ft			70.0 ft		
	$\Delta$ °	360°	Over Front	$\Delta$ °	360°	Over Front	$\Delta$ °	360°	Over Front
9	70.5	260,000	260,000						
10	69.0	240,600	240,600	74.5	77,300	77,300	78.0	67,800	67,800
12	66.0	218,000	218,000	72.5	77,300	77,300	76.5	67,800	67,800
15	61.0	186,400	186,400	69.0	77,300	77,300	74.0	67,800	67,800
20	52.0	138,400	138,400	63.0	77,300	77,300	69.5	67,800	67,800
25	41.5	108,500	108,500	57.0	77,300	77,300	65.0	66,900	66,900
30	27.5	88,100	88,300	50.0	77,300	77,300	60.5	59,800	59,800
35				42.0	69,900	70,600	55.5	54,000	54,000
40				32.5	54,800	55,300	50.0	49,300	49,300
45				18.0	44,300	44,800	44.0	45,300	45,300
50							37.0	39,200	39,700
55							28.5	33,400	33,800
60							15.5	28,800	29,100
Min.Bm. Ang./Cap.	0.0	63,500	63,500	0.0	26,500	26,500	0.0	15,300	15,300
Radius (ft)	32.8			46.5			61.5		

Load Radius (ft)	85.0 ft			100.0 ft			115.0 ft		
	$\Delta$ °	360°	Over Front	$\Delta$ °	360°	Over Front	$\Delta$ °	360°	Over Front
15	77.0	68,100	68,100						
20	74.0	66,100	66,100	76.5	60,000	60,000			
25	70.0	58,200	58,200	73.5	53,400	53,400	76.5	49,300	49,300
30	66.5	51,700	51,700	70.5	47,700	47,700	73.5	44,100	44,100
35	62.5	46,400	46,400	67.5	43,100	43,100	71.0	39,800	39,800
40	58.5	42,100	42,100	64.5	39,300	39,300	68.5	36,100	36,100
45	54.5	38,600	38,600	61.0	36,000	36,000	65.5	33,000	33,000
50	50.0	35,500	35,500	57.5	33,100	33,100	63.0	30,300	30,300
55	45.0	32,800	32,800	54.0	30,600	30,600	60.0	27,900	27,900
60	40.0	29,600	30,000	50.5	28,500	28,500	57.0	25,900	25,900
65	33.5	25,800	26,100	46.0	26,100	26,400	54.0	24,000	24,000
70	26.0	22,700	23,000	41.5	23,000	23,300	50.5	22,400	22,400
75	14.0	20,200	20,400	36.5	20,400	20,700	47.0	20,200	20,400
80				31.0	18,200	18,400	43.0	18,000	18,200
85				24.0	16,400	16,600	39.0	16,200	16,500
90				13.0	14,700	14,900	34.5	14,600	14,800
95							29.0	13,100	13,300
100							22.5	11,800	12,000
105							12.5	10,700	10,900
Min.Bm. Ang./Cap.	0.0	12,900	12,900	0.0	10,600	10,600	0.0	8,800	8,800
Radius (ft)	76.5			91.5			106.5		

Not for crane operations

**Rated Lifting Capacities  
In Pounds**



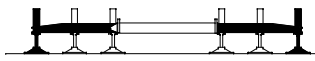
**29,000 lb**



Load Radius (ft)	130.0 ft			140.0 ft			150.0 ft		
	$\Delta^\circ$	360°	Over Front	$\Delta^\circ$	360°	Over Front	$\Delta^\circ$	360°	Over Front
25	78.0	45,100	45,100						
30	76.0	43,200	43,200	77.5	37,200	37,200	78.0	31,900	31,900
35	74.0	39,100	39,100	75.5	37,200	37,200	76.5	31,900	31,900
40	71.5	35,700	35,700	73.5	34,900	34,900	75.0	31,900	31,900
45	69.5	32,700	32,700	71.5	32,000	32,000	73.0	30,000	30,000
50	67.0	30,100	30,100	69.5	29,400	29,400	71.0	27,500	27,500
55	64.5	27,800	27,800	67.0	27,100	27,100	69.0	25,300	25,300
60	62.0	25,800	25,800	64.5	25,000	25,000	67.0	23,400	23,400
65	59.5	24,000	24,000	62.5	23,200	23,200	65.0	21,700	21,700
70	56.5	22,200	22,500	60.0	21,600	21,600	62.5	20,200	20,200
75	53.5	19,600	19,900	57.5	19,200	19,500	60.5	18,700	18,700
80	50.5	17,500	17,700	54.5	17,200	17,300	58.0	16,900	17,100
85	47.5	15,800	16,000	52.0	15,400	15,600	55.5	15,000	15,200
90	44.0	14,200	14,400	49.0	13,800	14,000	53.0	13,400	13,600
95	40.5	12,700	12,900	46.0	12,300	12,500	50.0	12,000	12,200
100	36.5	11,400	11,600	42.5	11,100	11,300	47.5	10,700	10,900
105	32.5	10,300	10,500	39.5	9,900	10,100	44.5	9,600	9,800
110	27.5	9,300	9,400	35.5	8,900	9,100	41.5	8,600	8,800
115	21.5	8,300	8,500	31.5	8,000	8,100	38.0	7,700	7,800
120	11.5	7,500	7,700	26.5	7,200	7,300	34.5	6,800	7,000
125				20.5	6,400	6,500	30.5	6,100	6,200
130				11.5	5,700	5,900	26.0	5,400	5,500
135							20.0	4,800	4,900
140							11.5	4,200	4,300
Min.Bm. Ang./Cap.	0.0	6,900	6,900	0.0	5,600	5,700	0.0	4,100	4,200
Radius (ft)		121.5			131.5			141.5	

Not for crane operations

**Rated Lifting Capacities  
In Pounds**



**Full**

**29,000 lb**

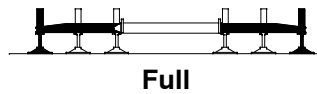


Load Radius (ft)	41.4 ft			55.0 ft			70.0 ft			85.0 ft		
	$\Delta^\circ$	360°	Over Front	$\Delta^\circ$	360°	Over Front	$\Delta^\circ$	360°	Over Front	$\Delta^\circ$	360°	Over Front
9	70.5	260,000	260,000									
10	69.0	240,600	240,600	74.5	73,800	73,800	78.0	68,700	68,700			
12	66.0	218,000	218,000	72.5	73,800	73,800	76.5	68,700	68,700			
15	61.0	186,400	186,400	69.0	73,800	73,800	74.0	68,700	68,700	77.0	69,100	69,100
20	52.0	138,400	138,400	63.0	73,800	73,800	70.0	68,700	68,700	74.0	69,100	69,100
25	41.5	108,500	108,500	57.0	73,800	73,800	65.5	68,700	68,700	70.5	69,100	69,100
30	27.5	88,100	88,300	50.0	73,800	73,800	60.5	68,700	68,700	66.5	69,100	69,100
35				42.0	69,800	70,600	55.5	68,700	68,700	63.0	65,300	65,300
40				32.5	54,700	55,300	50.0	56,200	56,800	58.5	56,100	56,700
45				18.0	44,300	44,800	44.0	46,000	46,500	54.5	45,900	46,400
50							37.0	38,300	38,800	50.0	38,300	38,800
55							28.5	32,500	32,900	45.0	32,700	33,100
60							15.5	27,900	28,200	39.5	28,100	28,400
65										33.5	24,400	24,700
70										25.5	21,300	21,600
75										14.0	18,700	19,000
Min.Bm. Ang./Cap.	0.0	63,500	63,500	0.0	26,900	26,900	0.0	21,900	21,900	0.0	17,900	17,900
Radius (ft)		32.8			46.5			61.5			76.5	

Load Radius (ft)	100.0 ft			115.0 ft			124.7 ft		
	$\Delta^\circ$	360°	Over Front	$\Delta^\circ$	360°	Over Front	$\Delta^\circ$	360°	Over Front
20	76.5	61,000	61,000						
25	73.5	59,400	59,400	76.5	55,300	55,300	78.0	51,000	51,000
30	70.5	52,800	52,800	74.0	49,400	49,400	75.5	45,400	45,400
35	67.5	47,500	47,500	71.5	44,400	44,400	73.5	40,600	40,600
40	64.5	43,000	43,000	68.5	40,200	40,200	71.0	36,500	36,500
45	61.0	39,400	39,400	66.0	36,700	36,700	68.5	32,900	32,900
50	57.5	36,200	36,200	63.0	33,600	33,600	66.0	29,900	29,900
55	54.0	32,400	32,800	60.5	30,900	30,900	63.0	27,200	27,200
60	50.0	27,900	28,200	57.0	27,200	27,500	60.5	24,900	24,900
65	46.0	24,200	24,500	54.0	23,600	23,900	57.5	22,900	22,900
70	41.5	21,200	21,500	50.5	20,600	20,800	54.5	20,200	20,500
75	36.5	18,600	18,900	47.0	18,100	18,300	51.5	17,700	18,000
80	30.5	16,500	16,800	43.0	16,000	16,300	48.5	15,700	16,000
85	23.5	14,600	14,900	39.0	14,200	14,400	45.0	13,900	14,100
90	13.0	13,000	13,200	34.5	12,500	12,700	41.0	12,300	12,500
95				29.0	11,100	11,300	37.0	10,800	11,000
100				22.5	9,800	10,000	33.0	9,600	9,800
105				12.5	8,700	8,900	27.5	8,400	8,600
110							21.5	7,400	7,600
115							11.0	6,500	6,700
Min.Bm. Ang./Cap.	0.0	12,600	12,800	0.0	8,400	8,600	0.0	6,400	6,500
Radius (ft)		91.5			106.5			116.2	

Not for crane operations

**Rated Lifting Capacities  
In Pounds**



**29,000 lb**

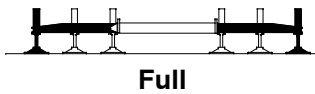


Load Radius (ft)	41.4 ft			55.0 ft			70.0 ft		
	$\angle$ °	360°	Over Front	$\angle$ °	360°	Over Front	$\angle$ °	360°	Over Front
9	70.5	260,000	260,000						
10	69.0	240,600	240,600	74.5	73,800	73,800	78.0	68,700	68,700
12	66.0	218,000	218,000	72.5	73,800	73,800	76.5	68,700	68,700
15	61.0	186,400	186,400	69.0	73,800	73,800	74.0	68,700	68,700
20	52.0	138,400	138,400	63.0	73,800	73,800	70.0	68,700	68,700
25	41.5	108,500	108,500	57.0	73,800	73,800	65.5	68,700	68,700
30	27.5	88,100	88,300	50.0	73,800	73,800	60.5	68,700	68,700
35				42.0	69,800	70,600	55.5	68,700	68,700
40				32.5	54,700	55,300	50.0	56,200	56,800
45				18.0	44,300	44,800	44.0	46,000	46,500
50							37.0	38,300	38,800
55							28.5	32,500	32,900
60							15.5	27,900	28,200
Min.Bm. Ang./Cap.	0.0	63,500	63,500	0.0	26,900	26,900	0.0	21,900	21,900
Radius (ft)		32.8			46.5			61.5	

Load Radius (ft)	85.0 ft			100.0 ft			112.0 ft		
	$\angle$ °	360°	Over Front	$\angle$ °	360°	Over Front	$\angle$ °	360°	Over Front
15	77.0	64,900	64,900						
20	74.0	64,900	64,900	76.5	65,200	65,200	78.5	56,400	56,400
25	70.5	64,900	64,900	74.0	65,200	65,200	76.0	55,500	55,500
30	66.5	64,900	64,900	71.0	63,900	63,900	73.5	48,900	48,900
35	63.0	64,900	64,900	68.0	57,100	57,100	70.5	43,400	43,400
40	58.5	56,000	56,600	64.5	51,300	51,300	68.0	39,000	39,000
45	54.5	45,800	46,300	61.5	44,900	45,400	65.0	35,200	35,200
50	50.0	38,200	38,700	57.5	37,400	37,800	62.0	31,900	31,900
55	45.0	32,600	33,000	54.0	31,800	32,100	59.0	29,100	29,100
60	39.5	28,000	28,400	50.0	27,300	27,600	56.0	26,600	26,600
65	33.5	24,300	24,600	46.0	23,600	23,900	52.5	23,100	23,400
70	25.5	21,200	21,500	41.5	20,600	20,900	49.0	20,100	20,400
75	14.0	18,700	18,900	36.5	18,000	18,300	45.0	17,600	17,900
80				31.0	16,000	16,200	41.0	15,600	15,900
85				24.0	14,100	14,300	36.5	13,700	14,000
90				13.0	12,400	12,600	31.5	12,100	12,300
95							25.5	10,700	10,900
100							17.5	9,400	9,600
Min.Bm. Ang./Cap.	0.0	17,900	17,900	0.0	12,000	12,200	0.0	8,600	8,800
Radius (ft)		76.5			91.5			103.5	

Not for crane operations

**Rated Lifting Capacities  
In Pounds**



**29,000 lb**

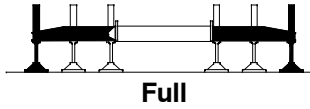


Load Radius (ft)	41.4 ft			55.5 ft		
	$\angle$ °	360°	Over Front	$\angle$ °	360°	Over Front
9	70.5	260,000	260,000			
10	69.0	240,600	240,600	74.5	157,000	157,000
12	66.0	218,000	218,000	72.5	157,000	157,000
15	61.0	186,400	186,400	69.5	157,000	157,000
20	52.0	138,400	138,400	63.5	140,900	140,900
25	41.5	108,500	108,500	57.5	111,200	111,200
30	27.5	88,100	88,300	50.5	91,000	91,000
35				42.5	68,700	69,400
40				33.5	53,600	54,200
45				20.0	43,200	43,700
Min.Bm. Ang./Cap.	0.0	63,500	63,500	0.0	40,000	40,400
Radius (ft)		32.8			47.0	

Load Radius (ft)	70.4 ft			86.2 ft		
	$\angle$ °	360°	Over Front	$\angle$ °	360°	Over Front
10	78.5	151,100	151,100			
12	77.0	150,200	150,200			
15	74.5	135,800	135,800	78.0	105,500	105,500
20	70.0	116,900	116,900	74.5	89,800	89,800
25	65.5	102,400	102,400	71.0	77,900	77,900
30	61.0	90,900	90,900	67.0	68,500	68,500
35	55.5	69,200	69,800	63.5	61,000	61,000
40	50.0	54,200	54,800	59.5	53,400	54,000
45	44.0	44,100	44,600	55.0	43,300	43,800
50	37.5	36,500	37,000	50.5	35,900	36,300
55	29.0	30,800	31,200	46.0	30,300	30,700
60	17.0	26,200	26,600	40.5	25,900	26,200
65				35.0	22,200	22,500
70				27.5	19,100	19,400
75				17.5	16,600	16,900
Min.Bm. Ang./Cap.	0.0	24,800	25,100	0.0	15,500	15,700
Radius (ft)		61.9			77.7	

Not for crane operations

**Rated Lifting Capacities  
In Pounds**



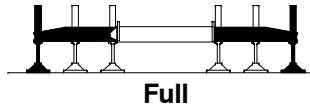
**29,000 lb**



Boom Length (ft)	41.4	55.0	70.0	85.0	100.0	115.0	130.0	145.0	155.0	162.0										
Load Radius (ft)	<p><b>10.0 ft Offset Fly</b> Offset 2°, 15°, 30°, 45°</p>																			
10	51,800	51,800																		
12	47,300	51,800	48,600																	
15	46,400	46,800	48,600	48,600																
20	45,200	45,700	45,200	44,000	45,100															
25	44,600	44,800	44,500	43,400	41,200	38,300	28,900													
30	44,600	44,400	43,900	43,000	39,200	38,300	28,900	25,600	22,400											
35	44,600	44,300	41,300	41,300	35,200	36,400	28,900	25,600	22,400											
40	44,600	44,300	37,400	37,400	32,200	33,200	28,900	25,600	22,400	20,000										
45		44,300	34,400	34,400	29,300	30,300	27,300	25,600	22,400	20,000										
50		38,700	31,600	31,600	26,800	27,800	24,900	25,600	22,400	20,000										
55		33,000	29,300	29,100	24,700	25,600	22,900	24,200	22,400	20,000										
60			27,200	27,000	22,900	23,700	21,100	22,500	21,200	20,000										
65			25,500	25,100	21,200	22,000	19,500	20,900	19,600	18,700										
70			23,000	23,100	19,800	20,400	18,100	19,400	18,100	17,000										
75				20,600	18,500	19,100	17,100	18,100	17,100	16,300										
80				18,400	17,300	17,900	15,900	17,100	15,900	15,100										
85				16,600	16,400	16,300	14,900	15,300	14,800	14,100										
90					15,000	14,600	13,900	13,700	13,300	13,000										
95					13,600	13,200	12,900	12,200	11,800	11,600										
100					12,300	11,900	11,600	11,000	10,600	10,300										
105						10,800	10,500	9,800	9,400	9,200										
110						9,800	9,500	8,800	8,400	8,200										
115						8,900	8,600	7,900	7,500	7,300										
120							7,700	7,100	6,700	6,500										
125							7,000	6,300	6,000	5,700										
130							6,300	5,700	5,300	5,000										
135								5,000	4,700	4,400										
140								4,400	4,100	3,800										
145								3,900	3,600	3,300										
150									3,000	2,800										
155									2,600	2,400										
160										1,900										
Min. Bm. Ang./Cap.	0	34,200	0	18,300	0	10,600	0	9,000	0	7,300	0	6,000	0	4,600	0	3,400	0	2,600	0	1,800
Radius (ft)	42.8	56.5	71.5	86.5	101.5	116.5	131.5	146.5	156.5	163.5										

Not for crane operations

**Rated Lifting Capacities  
In Pounds**



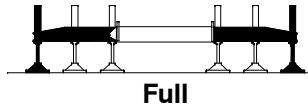
**29,000 lb**



Boom Length (ft)	41.4	55.0	70.0	85.0	100.0	115.0	130.0	140.0	150.0									
Load Radius (ft)	<p><b>10.0 ft Offset Fly</b> Offset 2°, 15°, 30°, 45°</p>																	
10	51,800	51,800																
12	47,300	51,800	51,800															
15	46,400	46,800	51,500	51,800														
20	45,200	45,700	45,400	44,400	48,000													
25	44,600	44,800	44,700	43,700	42,400	41,600	36,300											
30	44,600	44,400	44,100	43,200	41,800	40,000	36,300	29,900	25,400									
35	44,600	44,300	43,600	40,800	37,800	36,100	34,100	29,900	25,400									
40	44,600	44,300	39,700	37,000	34,500	33,000	32,200	29,900	25,400									
45		44,300	36,400	34,100	31,700	30,100	29,500	29,500	25,400									
50		38,700	33,800	31,300	29,200	27,600	27,100	27,100	25,400									
55		33,000	31,400	28,900	27,000	25,400	25,100	24,900	23,300									
60			29,300	26,800	25,100	23,500	23,200	23,000	21,500									
65			25,900	25,000	23,400	21,700	21,600	21,300	19,800									
70			22,800	23,000	21,900	20,200	20,100	19,700	18,400									
75				20,400	20,300	18,900	18,800	18,400	17,200									
80				18,300	18,100	17,600	17,100	16,900	16,000									
85				16,400	16,400	16,000	15,400	15,000	14,600									
90					14,700	14,400	13,800	13,400	13,000									
95					13,300	12,900	12,400	11,900	11,600									
100					12,000	11,700	11,100	10,700	10,300									
105						10,500	10,000	9,600	9,200									
110						9,500	9,000	8,500	8,200									
115						8,600	8,100	7,600	7,300									
120							7,200	6,800	6,400									
125							6,500	6,100	5,700									
130							5,800	5,400	5,000									
135								4,800	4,400									
140								4,200	3,800									
145									3,300									
150									2,800									
Min.Bm. Ang./Cap.	0	34,200	0	18,300	0	11,500	0	9,800	0	8,100	0	6,600	0	5,100	0	4,100	0	2,700
Radius (ft)	42.8	56.5	71.5	86.5	101.5	116.5	131.5	141.5	151.5									

**Not for crane operations**

**Rated Lifting Capacities  
In Pounds**



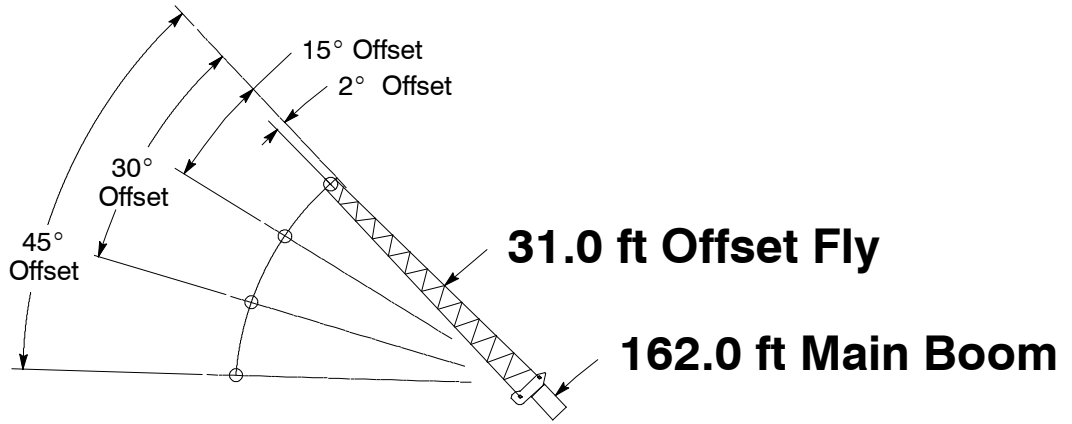
**29,000 lb**



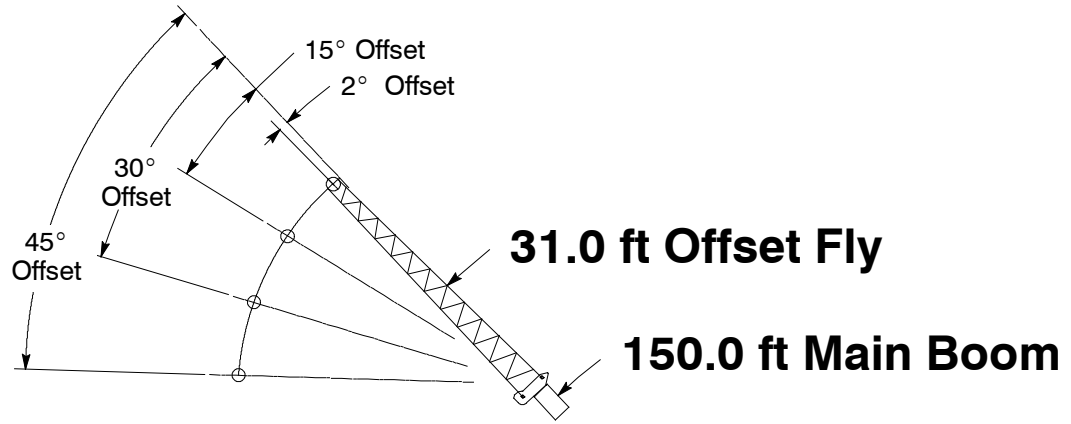
Boom Length (ft)	41.4	55.0	70.0	85.0	100.0	115.0	124.7							
Load Radius (ft)	<p><b>10.0 ft Offset Fly</b></p>													
10	51,800	51,800												
12	47,300	51,800	51,800											
15	46,400	46,800	51,800	51,800										
20	45,200	45,700	46,000	45,800	51,800									
25	44,600	44,900	45,100	45,000	44,300	50,700	43,400							
30	44,600	44,400	44,500	44,400	43,800	42,800	41,600							
35	44,600	44,300	44,100	44,000	41,300	40,100	37,300							
40	44,600	44,300	44,000	43,700	37,500	36,400	34,000							
45		44,300	44,000	43,500	34,500	33,400	31,000							
50		38,700	39,100	38,700	31,800	30,600	28,300							
55		32,900	33,400	33,000	29,400	28,200	25,700							
60			28,800	28,400	27,300	26,000	23,500							
65			25,100	24,800	24,300	23,500	21,500							
70			22,100	21,700	21,300	20,500	19,800							
75				19,200	18,700	18,000	17,600							
80				17,100	16,700	16,000	15,600							
85				15,200	14,800	14,100	13,700							
90					13,200	12,500	12,100							
95					11,800	11,100	10,700							
100					10,500	9,800	9,500							
105						8,700	8,300							
110						7,700	7,300							
115						6,800	6,500							
120							5,600							
125							4,900							
Min.Bm. Ang./Cap.	0	34,200	0	18,500	0	15,800	0	12,900	0	10,200	0	6,600	0	4,800
Radius (ft)	42.8		56.5		71.5		86.5		101.5		116.5		126.2	

**Not for crane operations**

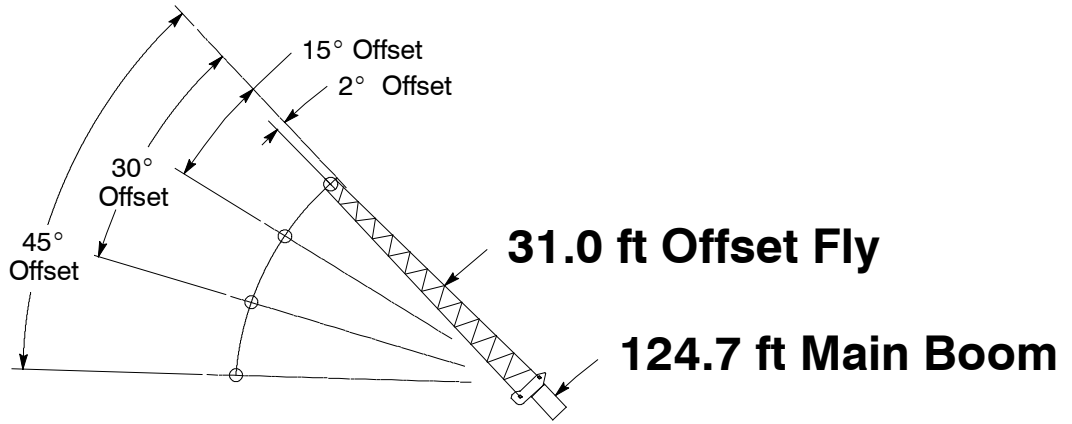




Rated Lifting Capacities In Pounds		Full		29,000 lb		EM 1		
		2° Offset		15° Offset		30° Offset		45° Offset
Load Radius (ft)	∠ °		∠ °		∠ °		∠ °	
	360°	360°	360°	360°	360°	360°	360°	360°
35	79.0	14,600						
40	78.0	14,600						
45	77.0	14,600	79.0	14,600				
50	75.5	14,600	78.0	14,600				
55	74.5	14,600	76.5	14,600	78.5	14,300		
60	73.0	14,600	75.5	14,600	77.5	14,100	79.0	13,200
65	72.0	14,600	74.0	14,600	76.0	14,000	77.5	13,100
70	70.5	14,600	73.0	14,600	74.5	13,800	76.5	13,100
75	69.5	14,600	71.5	14,600	73.5	13,700	75.0	13,000
80	67.5	14,200	70.0	14,400	72.0	13,600	73.5	12,900
85	66.0	13,200	68.5	13,400	70.5	13,500	72.0	12,800
90	64.5	12,300	66.5	12,500	68.5	12,800	70.5	12,800
95	62.5	11,500	65.0	11,700	67.0	11,900	68.5	12,100
100	61.0	10,700	63.0	10,900	65.0	11,100	66.5	11,300
105	59.0	9,500	61.0	10,100	63.5	10,400	65.0	10,600
110	57.0	8,500	59.0	9,000	61.5	9,500	63.0	9,900
115	55.0	7,600	57.0	8,100	59.0	8,500	60.5	8,800
120	53.0	6,800	55.0	7,200	57.0	7,600	58.5	7,900
125	50.5	6,000	53.0	6,400	55.0	6,800	56.0	7,000
130	48.5	5,300	50.5	5,700	52.5	6,000	53.5	6,200
135	46.0	4,700	48.5	5,000	50.0	5,300	51.0	5,500
140	44.0	4,100	46.0	4,400	47.5	4,700	48.5	4,800
145	41.5	3,600	43.5	3,900	45.0	4,100	46.0	4,200
150	39.0	3,100	41.0	3,400	42.5	3,600		
155	36.0	2,600	38.0	2,900	39.5	3,000		
160	33.0	2,200	35.0	2,400	36.5	2,600		
165	30.0	1,800	32.0	2,000	33.0	2,100		
170	26.5	1,500	28.0	1,600				
175			24.0	1,200				
Min.Bm. Ang./Cap.	22.0		22.0		20.5		21.5	
Radius (ft)	175.0		176.6		177.5		175.0	
Maximum Boom Length At 0° Boom Angle (ft)					148			

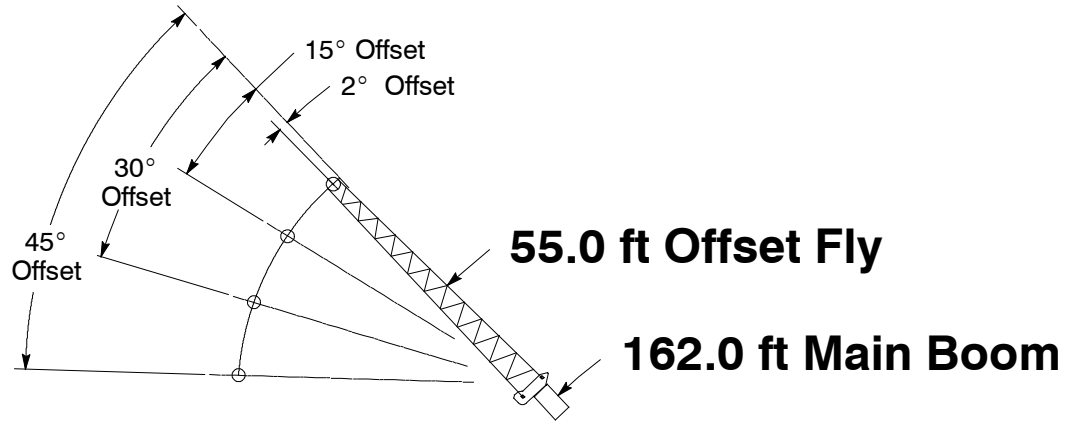


Rated Lifting Capacities In Pounds		2° Offset		15° Offset		30° Offset		45° Offset	
		$\Delta^\circ$	360°	$\Delta^\circ$	360°	$\Delta^\circ$	360°	$\Delta^\circ$	360°
35	79.0	17,600							
40	77.5	17,600							
45	76.0	17,600	78.5	17,300					
50	75.0	17,600	77.0	17,000	79.0	15,300			
55	73.5	17,600	75.5	16,700	77.5	15,000	79.5	13,900	
60	72.0	17,600	74.0	16,400	76.5	14,800	78.0	13,700	
65	71.0	17,600	72.5	16,200	74.5	14,600	76.5	13,600	
70	69.0	17,300	71.0	15,900	73.0	14,400	75.0	13,500	
75	67.5	16,100	69.5	15,700	71.5	14,300	73.5	13,400	
80	65.5	15,000	68.0	15,100	70.0	14,100	71.5	13,300	
85	64.0	14,000	66.0	14,100	68.5	13,900	70.0	13,200	
90	62.0	13,000	64.5	13,200	66.5	13,400	68.0	13,200	
95	60.0	12,000	62.5	12,400	64.5	12,600	66.5	12,800	
100	58.0	10,700	60.5	11,300	62.5	11,800	64.0	12,000	
105	56.0	9,600	58.0	10,100	60.5	10,600	62.0	11,000	
110	53.5	8,600	56.0	9,100	58.0	9,500	59.5	9,800	
115	51.5	7,700	53.5	8,100	56.0	8,500	57.0	8,800	
120	49.0	6,900	51.5	7,300	53.5	7,600	54.5	7,800	
125	46.5	6,100	49.0	6,500	51.0	6,800	52.0	7,000	
130	44.0	5,400	46.5	5,800	48.5	6,000	49.5	6,200	
135	41.5	4,800	44.0	5,100	45.5	5,300	46.5	5,500	
140	39.0	4,200	41.0	4,500	43.0	4,700			
145	36.0	3,700	38.0	3,900	39.5	4,100			
150	33.0	3,200	35.0	3,400	36.5	3,500			
155	29.5	2,700	31.5	2,900	32.5	3,000			
160	25.5	2,300	27.5	2,500					
165	20.5	1,900	22.5	2,000					
170	14.0	1,600	15.5	1,600					
Min.Bm. Ang./Cap.	0.0	1,500	0.0	1,500	0.0	1,500	0.0	1,600	
Radius (ft)	172.5		172.1		170.1		166.4		



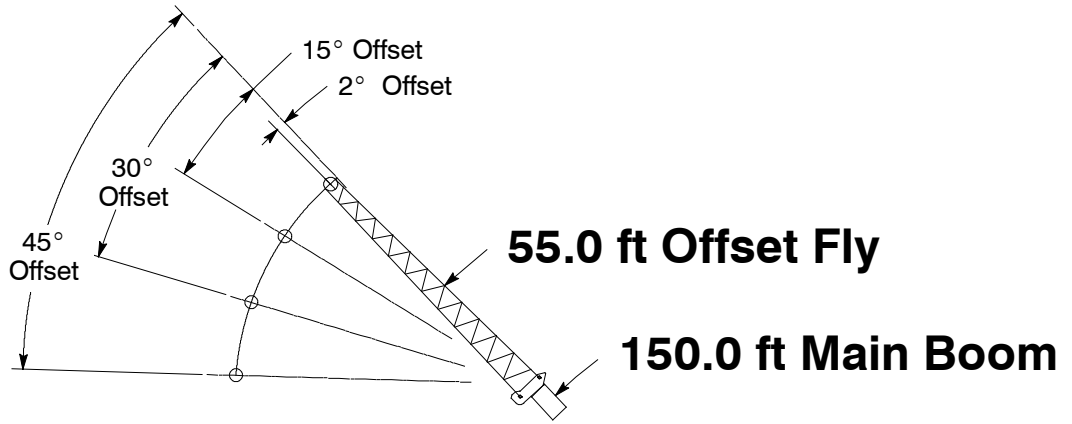
Rated Lifting Capacities In Pounds		Full		29,000 lb		EM 3		
		Full		29,000 lb				
Load Radius (ft)	2° Offset		15° Offset		30° Offset		45° Offset	
	$\Delta$ °	360°	$\Delta$ °	360°	$\Delta$ °	360°	$\Delta$ °	360°
30	78.5	28,100						
35	77.0	27,000	79.0	20,400				
40	75.5	26,000	77.5	20,400				
45	73.5	24,900	75.5	19,300	78.0	16,600		
50	72.0	24,000	74.0	18,700	76.0	16,300	78.5	14,700
55	70.0	23,100	72.0	18,200	74.5	15,900	76.5	14,500
60	68.0	20,400	70.0	17,700	72.5	15,600	74.5	14,300
65	66.0	19,800	68.0	17,300	70.5	15,300	72.5	14,100
70	64.0	19,200	66.0	16,900	68.5	15,000	70.5	14,000
75	62.0	17,800	64.0	16,500	66.5	14,800	68.5	13,800
80	59.5	16,500	62.0	16,100	64.5	14,600	66.0	13,700
85	57.0	14,600	60.0	15,300	62.5	14,400	64.0	13,700
90	54.5	13,000	57.5	13,600	60.0	14,200	61.5	13,600
95	52.0	11,500	55.0	12,100	57.5	12,700	59.0	13,100
100	49.5	10,300	52.5	10,800	54.5	11,300	56.5	11,600
105	47.0	9,100	49.5	9,600	52.0	10,100	53.5	10,300
110	44.0	8,100	46.5	8,600	49.0	9,000	50.0	9,200
115	41.0	7,200	43.5	7,600	46.0	7,900	47.0	8,100
120	38.0	6,400	40.5	6,700	42.5	7,000		
125	34.5	5,700	37.0	6,000	38.5	6,200		
130	30.5	5,000	33.0	5,200	34.5	5,400		
135	26.5	4,400	28.5	4,600	30.0	4,700		
140	21.0	3,800	23.5	3,900				
145	13.5	3,300	15.5	3,400				
Min.Bm. Ang./Cap.	0.0	3,100	0.0	3,200	0.0	3,200	0.0	3,400
Radius (ft)	147.2		146.9		144.9		141.4	

Not for crane operations

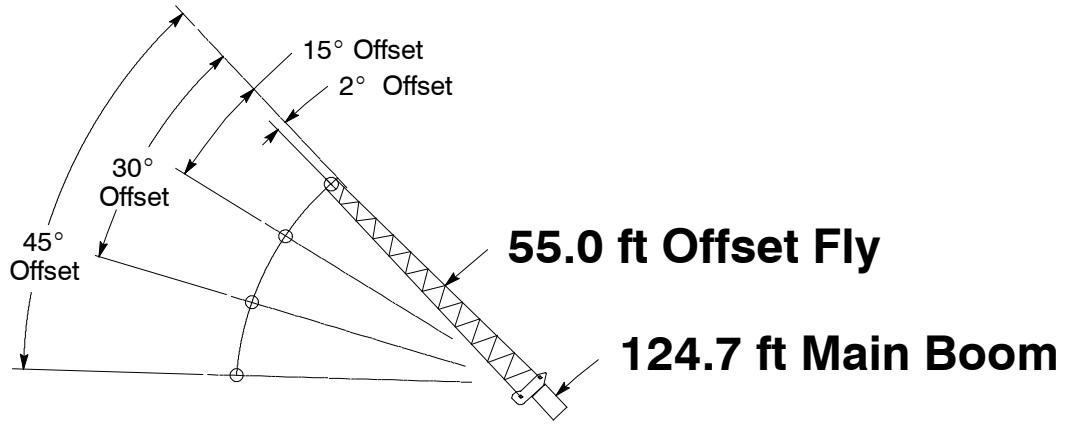


Rated Lifting Capacities In Pounds		2° Offset		15° Offset		30° Offset		45° Offset	
		∠°	360°	∠°	360°	∠°	360°	∠°	360°
40	79.5	10,600							
45	78.5	10,600							
50	77.5	10,600							
55	76.5	10,600							
60	75.5	10,600	78.5	9,700					
65	74.5	10,600	77.5	9,500					
70	73.5	10,500	76.5	9,400	79.5	8,300			
75	72.0	10,300	75.0	9,200	78.5	8,200			
80	71.0	10,200	74.0	9,000	77.0	8,100			
85	69.5	10,000	72.5	8,900	76.0	8,000	78.5	7,300	
90	68.5	9,800	71.5	8,700	74.5	7,800	77.0	7,300	
95	67.0	9,600	70.0	8,600	73.5	7,700	76.0	7,200	
100	66.0	9,500	69.0	8,500	72.0	7,600	74.5	7,100	
105	64.5	9,200	67.5	8,300	70.5	7,600	73.0	7,100	
110	63.0	8,600	66.0	8,200	69.0	7,500	71.5	7,100	
115	61.5	8,000	65.0	8,100	67.5	7,400	70.0	7,000	
120	60.0	7,500	63.5	7,800	66.5	7,300	68.5	7,000	
125	58.0	6,700	61.5	7,300	65.0	7,300	67.0	7,000	
130	56.0	6,000	60.0	6,700	63.0	7,000	65.5	6,900	
135	54.5	5,300	58.0	6,000	61.5	6,600	63.5	6,800	
140	52.5	4,800	56.0	5,300	59.5	5,900	61.5	6,300	
145	50.5	4,200	54.0	4,800	57.0	5,300	59.5	5,600	
150	48.5	3,700	52.0	4,200	55.0	4,700	57.0	5,000	
155	46.5	3,200	50.0	3,700	53.0	4,100	54.5	4,400	
160	44.5	2,800	48.0	3,200	50.5	3,600	52.0	3,800	
165	42.5	2,400	45.5	2,800	48.5	3,100	49.5	3,300	
170	40.0	2,000	43.5	2,400	46.0	2,700	47.0	2,800	
175	37.5	1,700	41.0	2,000	43.0	2,200			
180	35.5	1,300	38.5	1,600	40.5	1,800			
185			35.5	1,300	37.5	1,500			
Min. Bm. Ang./Cap.	33.5		33.5		34.0		34.0		
Radius (ft)	183.3		188.3		190.0		188.7		
Maximum Boom Length At 0° Boom Angle (ft)					140				

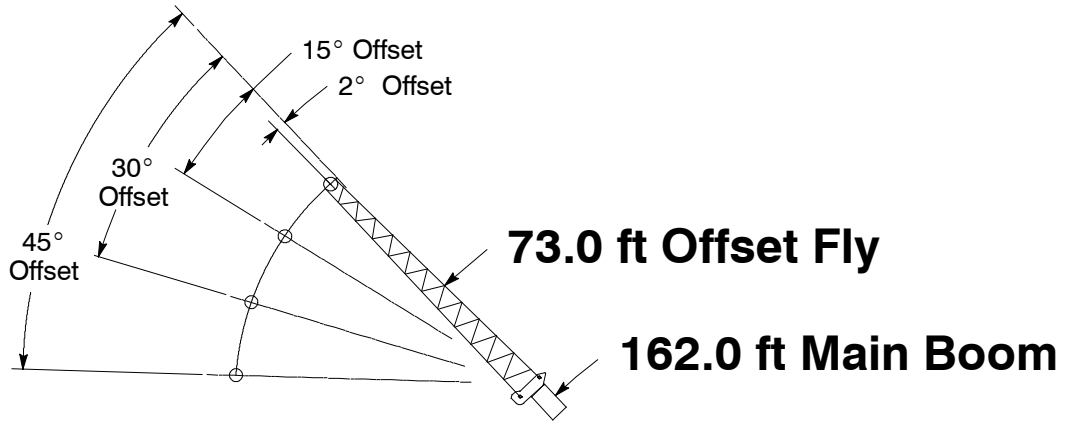
Not for crane operations



Rated Lifting Capacities In Pounds		Full		29,000 lb		EM 2		
		Full		29,000 lb				
Load Radius (ft)	2° Offset		15° Offset		30° Offset		45° Offset	
	$\Delta$ °	360°	$\Delta$ °	360°	$\Delta$ °	360°	$\Delta$ °	360°
40	79.5	12,700						
45	78.0	12,500						
50	77.0	12,200						
55	76.0	12,000	79.0	10,500				
60	74.5	11,700	78.0	10,300				
65	73.5	11,500	76.5	10,000				
70	72.0	11,200	75.5	9,800	79.0	8,600		
75	71.0	11,000	74.0	9,600	77.5	8,400		
80	69.5	10,700	72.5	9,400	76.0	8,300	79.0	7,600
85	68.0	10,500	71.5	9,200	74.5	8,200	77.5	7,500
90	66.5	10,200	70.0	9,000	73.0	8,000	76.0	7,400
95	65.5	10,000	68.5	8,900	71.5	7,900	74.5	7,400
100	64.0	9,800	67.0	8,700	70.0	7,800	73.0	7,300
105	62.5	9,600	65.5	8,500	68.5	7,700	71.5	7,200
110	61.0	9,200	64.0	8,400	67.0	7,600	69.5	7,200
115	59.0	8,400	62.5	8,200	65.5	7,500	68.0	7,200
120	57.0	7,600	61.0	8,100	64.0	7,500	66.0	7,100
125	55.0	6,800	59.0	7,500	62.0	7,400	64.5	7,100
130	53.0	6,100	57.0	6,800	60.5	7,300	62.5	7,000
135	51.0	5,500	55.0	6,100	58.5	6,600	60.5	7,000
140	49.0	4,900	52.5	5,400	56.0	6,000	58.0	6,300
145	47.0	4,400	50.5	4,900	53.5	5,300	55.5	5,600
150	44.5	3,900	48.5	4,300	51.5	4,700	53.0	5,000
155	42.5	3,400	46.0	3,800	49.0	4,200	50.5	4,400
160	40.0	3,000	43.5	3,300	46.0	3,700	47.5	3,800
165	37.5	2,600	41.0	2,900	43.5	3,200		
170	35.0	2,200	38.0	2,500	40.5	2,700		
175	32.0	1,800	35.0	2,100	37.0	2,300		
180	29.0	1,500	32.0	1,700	33.5	1,800		
185	25.0	1,200	28.0	1,400				
Min.Bm. Ang./Cap.	23.5		24.5		24.0		15.0	
Radius (ft)	186.7		188.8		188.8		181.2	
Maximum Boom Length At 0° Boom Angle (ft)					136			

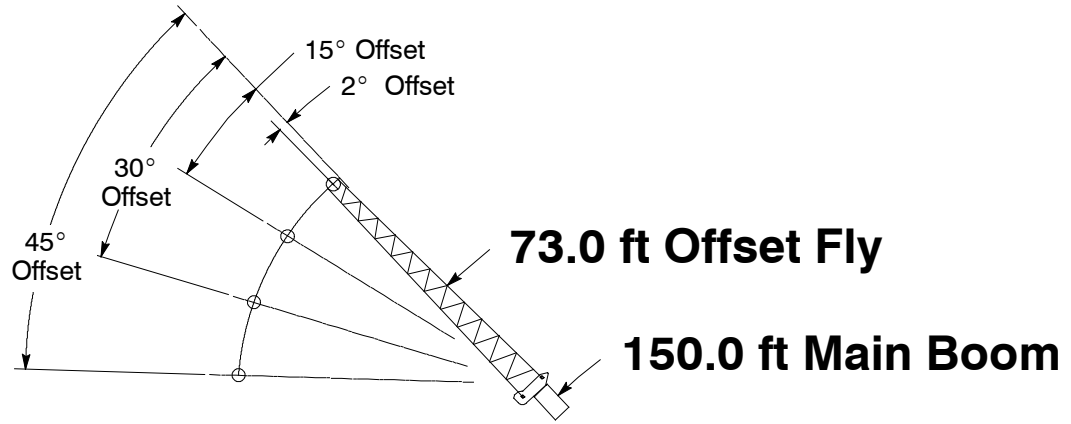


Rated Lifting Capacities In Pounds		Full		29,000 lb		EM 3		
		2° Offset		15° Offset		30° Offset		45° Offset
Load Radius (ft)	∠ °	360°	∠ °	360°	∠ °	360°	∠ °	360°
	35	78.5	15,300					
40	77.5	14,800						
45	76.0	14,300	79.5	12,000				
50	74.5	13,800	78.0	11,600				
55	73.0	13,300	76.5	11,200				
60	71.5	12,800	75.0	10,900	79.0	9,300		
65	69.5	12,400	73.5	10,500	77.5	9,100		
70	68.0	12,000	72.0	10,200	76.0	8,900	79.0	8,000
75	66.5	11,600	70.0	9,900	74.0	8,700	77.5	7,800
80	65.0	11,200	68.5	9,700	72.5	8,500	75.5	7,700
85	63.0	10,800	67.0	9,400	70.5	8,300	74.0	7,600
90	61.5	10,500	65.0	9,200	69.0	8,200	72.0	7,600
95	59.5	10,200	63.0	9,000	67.0	8,000	70.0	7,500
100	57.5	9,900	61.5	8,800	65.0	7,900	68.0	7,400
105	55.5	9,600	59.5	8,600	63.0	7,800	66.0	7,400
110	53.5	9,200	57.5	8,400	61.0	7,700	63.5	7,300
115	51.5	8,300	55.5	8,200	59.0	7,600	61.5	7,300
120	49.0	7,400	53.5	8,100	56.5	7,500	59.0	7,200
125	47.0	6,700	51.0	7,300	54.5	7,500	56.5	7,200
130	44.5	6,000	48.5	6,500	52.0	7,000	54.0	7,200
135	41.5	5,300	45.5	5,800	49.0	6,300	51.0	6,500
140	39.0	4,700	43.0	5,200	46.0	5,600	47.5	5,800
145	36.0	4,200	40.0	4,600	42.5	4,900		
150	33.0	3,700	36.5	4,000	39.0	4,300		
155	29.5	3,200	33.0	3,500	35.0	3,700		
160	25.5	2,800	28.5	3,000	30.0	3,100		
165	20.5	2,400	23.5	2,600				
170	12.5	2,100						
Min.Bm. Ang./Cap.	0.0	2,000	0.0	2,100	0.0	2,200	0.0	2,300
Radius (ft)		171.2		170.5		167.2		161.4



Load Radius (ft)		2° Offset		15° Offset		30° Offset		45° Offset	
		$\Delta$ °	360°	$\Delta$ °	360°	$\Delta$ °	360°	$\Delta$ °	360°
55		79.0	8,500						
60		78.0	8,500						
65		77.0	8,500						
70		76.0	8,500	79.0	8,500				
75		75.0	8,500	78.0	8,500				
80		74.0	8,500	77.0	8,500				
85		73.0	8,500	76.0	8,400	79.0	7,600		
90		72.0	8,500	74.5	8,300	77.5	7,500		
95		71.0	8,500	73.5	8,200	76.5	7,500	79.0	6,800
100		70.0	8,500	72.5	8,100	75.5	7,400	78.0	6,600
105		69.0	8,500	71.5	8,000	74.0	7,100	76.5	6,400
110		67.5	8,000	70.0	7,900	73.0	6,900	75.0	6,300
115		66.0	7,400	69.0	7,700	71.5	6,700	74.0	6,100
120		64.5	6,900	67.5	7,100	70.0	6,500	72.5	6,000
125		63.0	6,400	66.0	6,600	69.0	6,300	71.0	5,800
130		61.5	5,800	64.5	6,200	67.5	6,200	69.5	5,700
135		60.0	5,100	63.0	5,700	66.0	6,000	68.0	5,600
140		58.0	4,500	61.0	5,100	64.5	5,600	66.5	5,500
145		56.5	4,000	59.5	4,500	62.5	5,100	65.0	5,400
150		54.5	3,500	57.5	4,000	61.0	4,500	63.0	4,900
155		53.0	3,000	56.0	3,400	59.0	4,000	61.0	4,300
160		51.0	2,500	54.0	3,000	57.0	3,500	59.0	3,800
165		49.5	2,100	52.0	2,500	55.0	3,000	57.0	3,300
170		47.5	1,800	50.0	2,100	53.0	2,500	55.0	2,800
175		45.5	1,400	48.0	1,700	51.0	2,100	52.5	2,300
180				46.5	1,400	49.0	1,700	50.0	1,900
185						46.5	1,300	48.0	1,500
Min. Bm. Ang./Cap.		43.5		44.5		45.0		45.5	
Radius (ft)		180.0		183.7		188.3		190.0	
Maximum Boom Length At 0° Boom Angle (ft)						127			

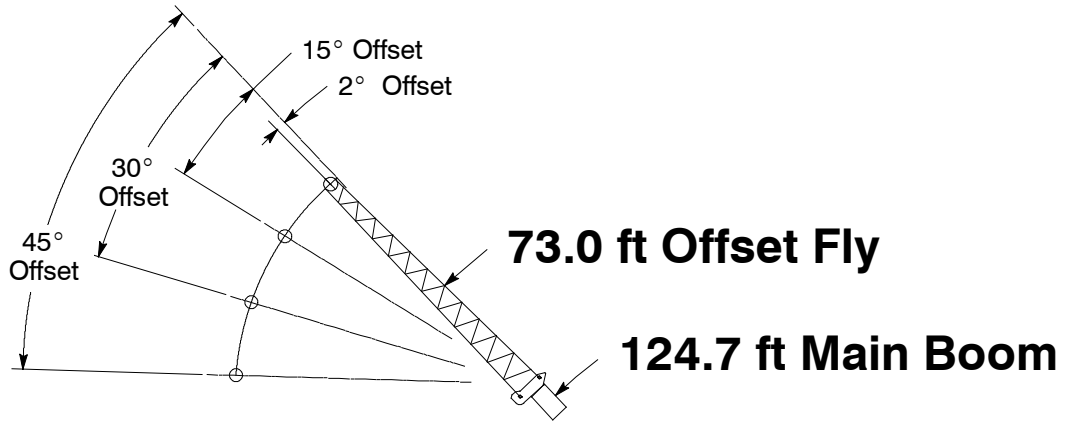
Not for crane operations



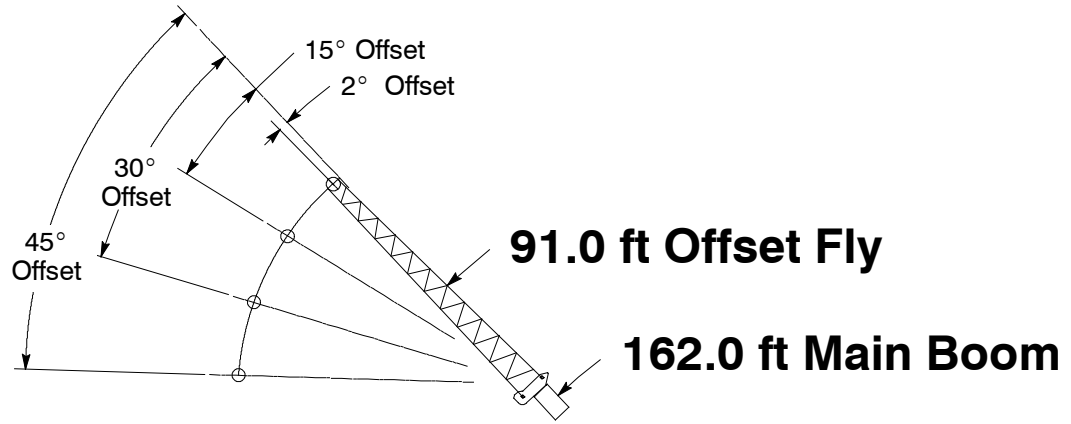
Load Radius (ft)		2° Offset		15° Offset		30° Offset		45° Offset	
		$\Delta^\circ$	360°	$\Delta^\circ$	360°	$\Delta^\circ$	360°	$\Delta^\circ$	360°
50		79.5	10,100						
55		78.5	10,100						
60		77.0	10,100						
65		76.0	10,100	79.0	9,400				
70		75.0	10,100	77.5	9,300				
75		74.0	10,000	76.5	9,100				
80		73.0	9,800	75.5	9,000	78.5	8,100		
85		71.5	9,700	74.0	8,900	77.5	7,900		
90		70.5	9,600	73.0	8,700	76.0	7,800	79.0	7,100
95		69.5	9,400	72.0	8,600	75.0	7,700	77.5	6,900
100		68.0	9,300	70.5	8,500	73.5	7,400	76.0	6,700
105		67.0	9,100	69.0	8,200	72.0	7,200	74.5	6,500
110		65.5	8,600	68.0	7,900	70.5	6,900	73.0	6,300
115		64.0	8,000	66.5	7,700	69.5	6,700	71.5	6,200
120		62.0	7,500	65.0	7,400	68.0	6,500	70.0	6,000
125		60.5	6,800	63.5	7,200	66.5	6,400	68.5	5,900
130		58.5	6,100	62.0	6,700	64.5	6,200	67.0	5,800
135		57.0	5,500	60.0	6,000	63.0	6,000	65.5	5,600
140		55.0	4,900	58.0	5,400	61.5	5,900	63.5	5,500
145		53.5	4,300	56.5	4,800	59.5	5,300	62.0	5,400
150		51.5	3,800	54.5	4,200	57.5	4,800	60.0	5,100
155		49.5	3,300	52.5	3,700	55.5	4,200	57.5	4,500
160		47.5	2,900	50.5	3,300	53.5	3,700	55.5	4,000
165		45.5	2,500	48.5	2,800	51.0	3,200	53.0	3,400
170		43.5	2,100	46.0	2,400	49.0	2,800	50.5	2,900
175		41.0	1,700	44.0	2,000	46.5	2,300	48.0	2,500
180		39.0	1,400	41.5	1,700	44.0	1,900	45.0	2,000
185				39.0	1,300	41.5	1,600		
190						38.5	1,200		
Min.Bm. Ang./Cap.		36.5		37.5		38.0		37.5	
Radius (ft)		185.0		188.3		191.3		191.3	
Maximum Boom Length At 0° Boom Angle (ft)						126			

Not for crane operations



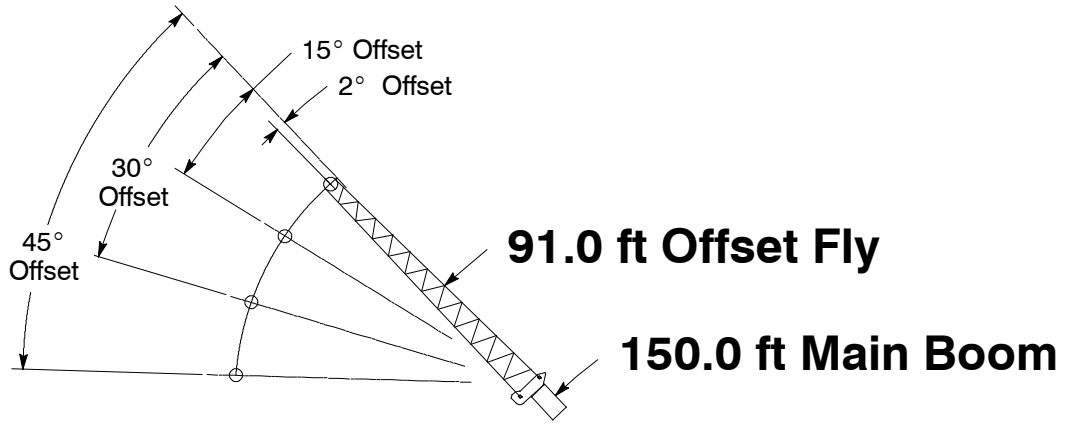


Rated Lifting Capacities In Pounds		Full		29,000 lb		EM 3		
		Full		29,000 lb				
Load Radius (ft)	2° Offset		15° Offset		30° Offset		45° Offset	
	$\Delta$ °	360°	$\Delta$ °	360°	$\Delta$ °	360°	$\Delta$ °	360°
40	79.5	13,200						
45	78.0	12,900						
50	77.0	12,600						
55	75.5	12,300	78.5	10,900				
60	74.5	12,000	77.0	10,600				
65	73.0	11,700	76.0	10,400	79.5	9,000		
70	71.5	11,400	74.5	10,100	78.0	8,800		
75	70.0	11,200	73.0	9,900	76.5	8,600		
80	68.5	10,900	71.5	9,700	75.0	8,500	78.0	7,700
85	67.0	10,600	70.0	9,500	73.5	8,300	76.5	7,500
90	65.5	10,300	68.5	9,200	72.0	8,000	75.0	7,300
95	64.0	9,900	67.0	8,800	70.5	7,700	73.5	7,100
100	62.5	9,400	65.5	8,400	68.5	7,400	71.5	6,800
105	61.0	9,000	63.5	8,100	67.0	7,200	70.0	6,600
110	59.0	8,600	62.0	7,800	65.5	7,000	68.0	6,500
115	57.5	8,300	60.0	7,500	63.5	6,700	66.0	6,300
120	55.5	7,400	58.5	7,200	61.5	6,500	64.0	6,100
125	53.5	6,600	56.5	7,000	59.5	6,300	62.0	6,000
130	51.5	5,900	54.5	6,500	58.0	6,200	60.0	5,800
135	49.0	5,300	52.5	5,800	55.5	6,000	58.0	5,700
140	47.0	4,700	50.0	5,100	53.5	5,700	55.5	5,600
145	44.5	4,100	47.5	4,600	51.0	5,000	53.0	5,300
150	42.0	3,600	45.5	4,000	48.5	4,400	50.5	4,700
155	39.5	3,100	43.0	3,500	46.0	3,900	47.0	4,000
160	37.0	2,700	40.0	3,000	43.0	3,300		
165	34.5	2,300	37.0	2,600	40.0	2,800		
170	31.0	1,900	34.0	2,200	36.5	2,400		
175	28.0	1,600	30.5	1,800	32.5	1,900		
180	24.0	1,200	26.5	1,400				
Min. Bm. Ang./Cap.	22.0		22.0		15.0		11.5	
Radius (ft)	181.7		183.8		182.1		175.6	
Maximum Boom Length At 0° Boom Angle (ft)					113			

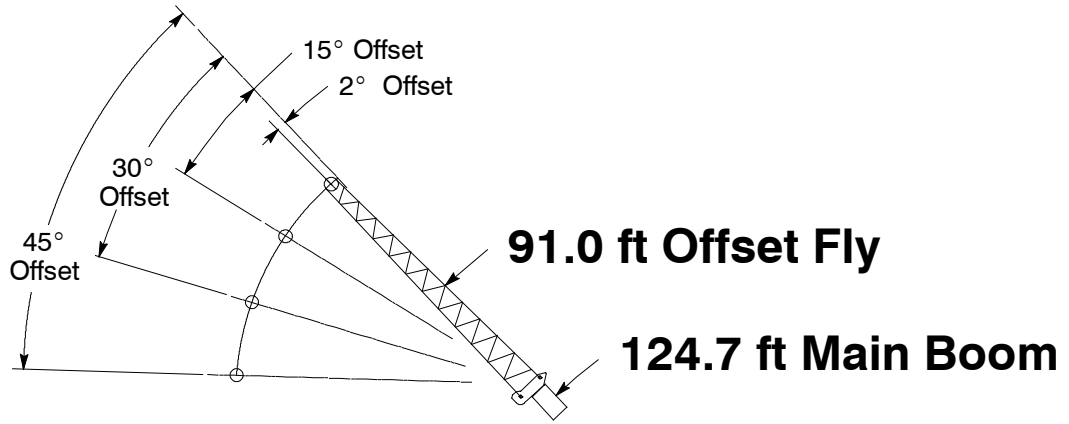


Rated Lifting Capacities In Pounds		2° Offset		15° Offset		30° Offset		45° Offset	
		$\Delta$ °	360°	$\Delta$ °	360°	$\Delta$ °	360°	$\Delta$ °	360°
60	79.5	6,500							
65	78.5	6,500							
70	77.5	6,500							
75	76.5	6,500	79.0	6,500					
80	76.0	6,500	78.5	6,500					
85	75.0	6,500	77.5	6,500					
90	74.0	6,500	76.5	6,500	79.5	6,100			
95	73.0	6,500	75.5	6,500	78.0	5,900			
100	72.0	6,500	74.5	6,300	77.0	5,600	79.5	5,200	
105	71.0	6,500	73.5	6,000	76.0	5,400	78.0	5,000	
110	70.0	6,400	72.0	5,800	75.0	5,200	77.0	4,800	
115	69.0	6,100	71.0	5,500	73.5	5,000	76.0	4,600	
120	67.5	5,800	70.0	5,300	72.5	4,800	74.5	4,500	
125	66.5	5,500	68.5	5,100	71.0	4,600	73.5	4,300	
130	65.0	5,100	67.5	4,900	70.0	4,400	72.0	4,200	
135	63.5	4,700	66.0	4,700	68.5	4,300	70.5	4,000	
140	62.5	4,300	65.0	4,500	67.5	4,100	69.5	3,900	
145	61.0	3,900	63.5	4,200	66.0	4,000	68.0	3,800	
150	59.0	3,400	62.0	3,900	64.5	3,900	66.5	3,700	
155	57.5	2,900	60.5	3,400	63.5	3,700	65.0	3,600	
160	56.0	2,400	58.5	2,900	62.0	3,500	63.5	3,500	
165	54.5	2,000	57.0	2,500	60.0	3,000	62.0	3,300	
170	52.5	1,600	55.5	2,100	58.5	2,500	60.5	2,800	
175	51.0	1,300	53.5	1,700	56.5	2,100	58.5	2,400	
180			52.0	1,300	54.5	1,700	56.5	1,900	
185					53.0	1,300	54.5	1,500	
Min.Bm. Ang./Cap.	50.5		50.5		51.5		52.5		
Radius (ft)	177.5		183.3		188.3		190.0		
Maximum Boom Length At 0° Boom Angle (ft)					114				

Not for crane operations

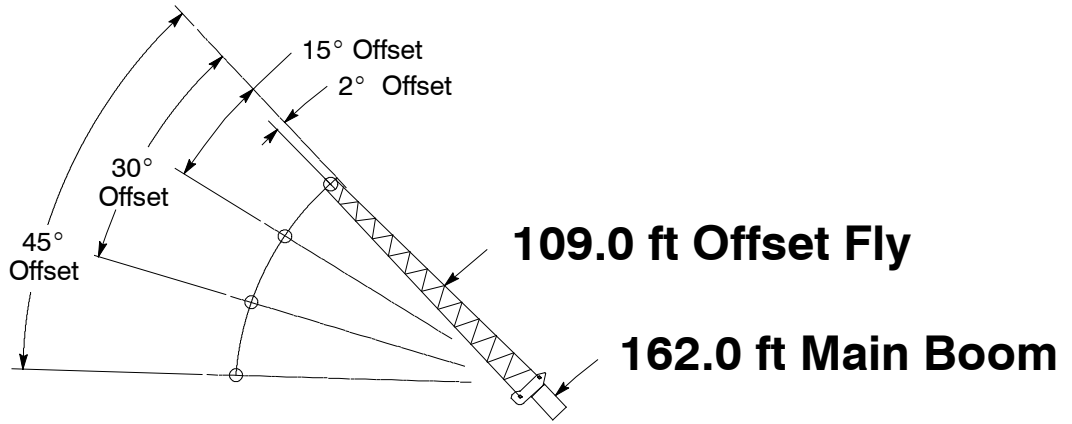


Rated Lifting Capacities In Pounds		Full		29,000 lb		EM 2		
		2° Offset		15° Offset		30° Offset		45° Offset
Load Radius (ft)	∠ °		∠ °		∠ °		∠ °	
	360°	360°	360°	360°	360°	360°	360°	360°
55	79.5	7,500						
60	78.5	7,500						
65	77.5	7,500						
70	76.5	7,500	79.5	7,500				
75	75.5	7,500	78.5	7,500				
80	74.5	7,500	77.5	7,500				
85	74.0	7,500	76.0	7,300	79.0	6,500		
90	72.5	7,500	75.0	7,000	78.0	6,200		
95	71.5	7,300	74.0	6,600	76.5	5,900	79.0	5,500
100	70.5	7,000	72.5	6,300	75.5	5,700	78.0	5,300
105	69.0	6,600	71.5	6,000	74.0	5,500	76.5	5,100
110	68.0	6,300	70.0	5,800	73.0	5,200	75.5	4,900
115	66.5	6,100	69.0	5,500	71.5	5,000	74.0	4,700
120	65.5	5,800	67.5	5,300	70.5	4,800	72.5	4,500
125	64.0	5,500	66.0	5,100	69.0	4,600	71.0	4,400
130	62.5	5,300	65.0	4,900	67.5	4,500	70.0	4,200
135	61.0	5,100	63.5	4,700	66.0	4,300	68.5	4,100
140	59.5	4,800	62.0	4,500	65.0	4,100	67.0	3,900
145	58.0	4,200	60.5	4,400	63.5	4,000	65.5	3,800
150	56.5	3,700	59.0	4,200	62.0	3,900	64.0	3,700
155	54.5	3,200	57.5	3,700	60.5	3,700	62.0	3,600
160	53.0	2,800	55.5	3,200	58.5	3,600	60.5	3,500
165	51.0	2,400	54.0	2,800	57.0	3,200	59.0	3,400
170	49.5	2,000	52.0	2,400	55.0	2,800	57.0	3,100
175	47.5	1,600	50.0	2,000	53.0	2,400	54.5	2,600
180	45.5	1,300	48.0	1,600	51.0	2,000	52.5	2,200
185			46.5	1,300	49.0	1,600	50.0	1,700
190					46.5	1,200	48.0	1,300
Min.Bm. Ang./Cap.	44.0		45.0		46.0		46.5	
Radius (ft)	183.3		187.5		191.7		193.3	
Maximum Boom Length At 0° Boom Angle (ft)	114							

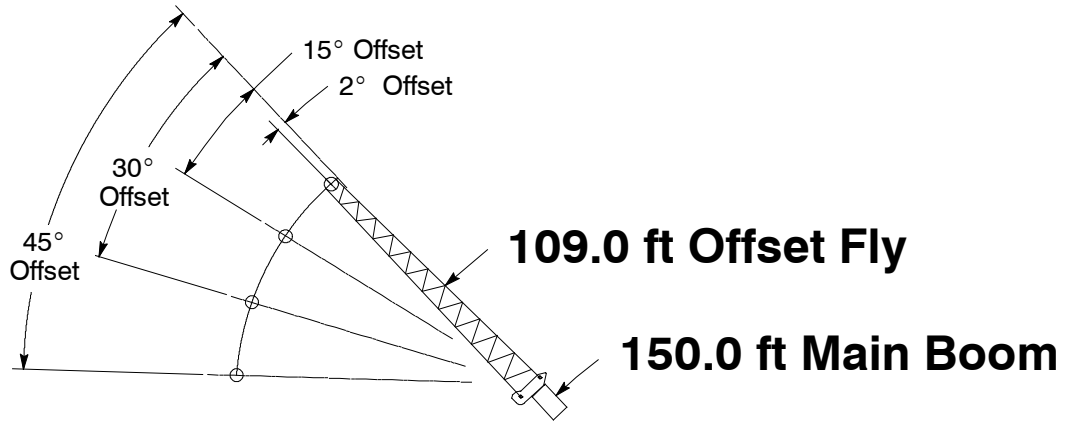


Rated Lifting Capacities In Pounds		Full		29,000 lb		EM 3		
		2° Offset		15° Offset		30° Offset		45° Offset
Load Radius (ft)	∠ °		∠ °		∠ °		∠ °	
	360°	360°	360°	360°	360°	360°	360°	360°
50	78.5	10,700						
55	77.5	10,700						
60	76.5	10,700	79.0	9,900				
65	75.0	10,400	77.5	9,400				
70	73.5	9,700	76.5	8,900				
75	72.5	9,200	75.0	8,400	78.5	7,500		
80	71.0	8,600	73.5	7,900	77.0	7,200		
85	69.5	8,100	72.5	7,500	75.5	6,800	78.5	6,400
90	68.0	7,700	71.0	7,100	74.0	6,500	77.0	6,100
95	67.0	7,300	69.5	6,700	72.5	6,200	75.5	5,800
100	65.5	6,900	68.0	6,400	71.5	5,900	74.0	5,500
105	64.0	6,600	66.5	6,100	69.5	5,600	72.5	5,300
110	62.5	6,200	65.0	5,800	68.0	5,400	71.0	5,100
115	61.0	5,900	63.5	5,500	66.5	5,100	69.0	4,900
120	59.5	5,700	62.0	5,300	65.0	4,900	67.5	4,700
125	57.5	5,400	60.5	5,100	63.5	4,700	66.0	4,500
130	56.0	5,200	58.5	4,800	62.0	4,500	64.0	4,300
135	54.5	4,900	57.0	4,600	60.0	4,300	62.5	4,200
140	52.5	4,700	55.5	4,400	58.5	4,200	60.5	4,000
145	50.5	4,200	53.5	4,300	56.5	4,000	58.5	3,900
150	48.5	3,600	51.5	4,100	54.5	3,900	56.5	3,800
155	46.5	3,200	49.5	3,600	52.5	3,800	54.5	3,700
160	44.5	2,700	47.5	3,100	50.5	3,500	52.0	3,600
165	42.5	2,300	45.0	2,700	48.0	3,000	49.5	3,200
170	40.0	1,900	43.0	2,200	45.5	2,600	47.0	2,700
175	37.5	1,600	40.5	1,900	43.0	2,100		
180	35.0	1,200	38.0	1,500	40.5	1,700		
185					37.5	1,300		
Min. Bm. Ang./Cap.	34.0		35.0		35.0		35.0	
Radius (ft)	181.7		185.0		188.3		187.5	
Maximum Boom Length At 0° Boom Angle (ft)					103			

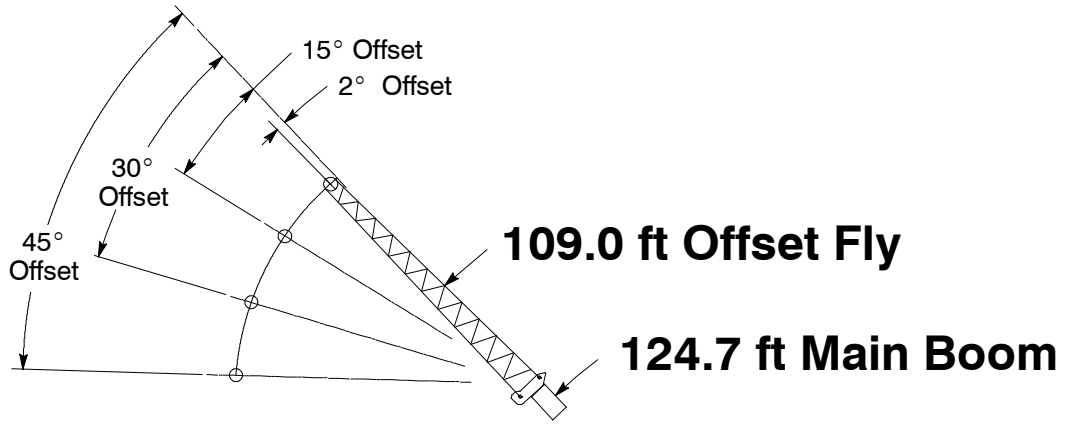
Not for crane operations



Rated Lifting Capacities In Pounds		Full		29,000 lb		EM 1		
		2° Offset		15° Offset		30° Offset		45° Offset
Load Radius (ft)	∠ °		∠ °		∠ °		∠ °	
	360°	360°	360°	360°	360°	360°	360°	360°
65	79.5	5,000						
70	79.0	5,000						
75	78.0	5,000						
80	77.5	5,000						
85	76.5	5,000	79.0	5,000				
90	76.0	5,000	78.0	5,000				
95	75.0	5,000	77.0	4,900				
100	74.0	5,000	76.0	4,600	78.5	4,200		
105	73.0	4,700	75.0	4,400	77.5	4,000		
110	72.0	4,500	74.0	4,100	76.5	3,800	78.5	3,500
115	71.0	4,200	73.0	3,900	75.5	3,600	77.5	3,400
120	70.0	4,000	72.0	3,700	74.5	3,400	76.5	3,200
125	68.5	3,800	70.5	3,500	73.0	3,200	75.5	3,000
130	67.5	3,600	69.5	3,300	72.0	3,000	74.0	2,900
135	66.5	3,400	68.5	3,200	71.0	2,900	73.0	2,700
140	65.5	3,200	67.5	3,000	70.0	2,700	72.0	2,600
145	64.0	3,100	66.0	2,800	68.5	2,600	70.5	2,400
150	63.0	2,900	65.0	2,700	67.5	2,500	69.5	2,300
155	61.5	2,600	64.0	2,600	66.0	2,300	68.0	2,200
160	60.0	2,300	62.5	2,400	65.0	2,200	67.0	2,100
165	58.5	1,900	61.5	2,200	63.5	2,100	65.5	2,000
170	57.0	1,500	60.0	2,000	62.5	2,000	64.0	1,900
175			58.5	1,600	61.0	1,900	62.5	1,800
180			56.5	1,200	59.5	1,700	61.5	1,700
185					58.0	1,300	59.5	1,500
190							58.0	1,200
Min.Bm. Ang./Cap.	55.5		56.0		57.5		57.5	
Radius (ft)	175.0		181.6		187.5		191.2	
Maximum Boom Length At 0° Boom Angle (ft)					102			

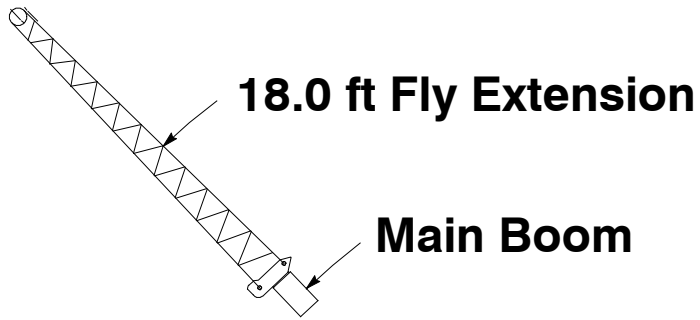


Rated Lifting Capacities In Pounds		2° Offset		15° Offset		30° Offset		45° Offset	
		$\Delta$ °	360°	$\Delta$ °	360°	$\Delta$ °	360°	$\Delta$ °	360°
65	79.0	5,800							
70	78.0	5,800							
75	77.0	5,800							
80	76.5	5,800	79.0	5,900					
85	75.5	5,800	77.5	5,500					
90	74.5	5,600	76.5	5,200	79.5	4,800			
95	73.5	5,300	75.5	4,900	78.0	4,500			
100	72.0	5,000	74.5	4,700	77.0	4,300	79.5	4,100	
105	71.0	4,700	73.5	4,400	76.0	4,100	78.5	3,800	
110	70.0	4,500	72.0	4,200	75.0	3,800	77.0	3,600	
115	69.0	4,200	71.0	3,900	73.5	3,600	76.0	3,400	
120	67.5	4,000	70.0	3,700	72.5	3,400	74.5	3,300	
125	66.5	3,800	68.5	3,500	71.5	3,300	73.5	3,100	
130	65.5	3,600	67.5	3,300	70.0	3,100	72.0	2,900	
135	64.0	3,400	66.0	3,200	69.0	2,900	71.0	2,800	
140	63.0	3,200	65.0	3,000	67.5	2,800	69.5	2,600	
145	61.5	3,100	63.5	2,800	66.5	2,600	68.5	2,500	
150	60.0	2,900	62.5	2,700	65.0	2,500	67.0	2,400	
155	59.0	2,800	61.0	2,600	63.5	2,400	65.5	2,300	
160	57.5	2,600	59.5	2,400	62.0	2,200	64.0	2,200	
165	56.0	2,200	58.5	2,300	61.0	2,100	62.5	2,000	
170	54.5	1,900	57.0	2,200	59.5	2,000	61.0	1,900	
175	52.5	1,500	55.5	1,900	58.0	1,900	59.5	1,900	
180			53.5	1,500	56.5	1,800	58.0	1,800	
185			52.0	1,200	54.5	1,600	56.5	1,700	
190					53.0	1,200	54.5	1,400	
Min. Bm. Ang./Cap.	51.0		51.5		52.5		53.0		
Radius (ft)	180.0		186.3		191.7		193.8		
Maximum Boom Length At 0° Boom Angle (ft)					102				



Rated Lifting Capacities In Pounds		2° Offset		15° Offset		30° Offset		45° Offset	
		$\Delta$ °	360°	$\Delta$ °	360°	$\Delta$ °	360°	$\Delta$ °	360°
55	78.5	8,300							
60	77.5	8,300							
65	76.5	8,100	79.0	7,600					
70	75.5	7,500	78.0	7,100					
75	74.0	7,000	76.5	6,600					
80	73.0	6,600	75.5	6,200	78.5	5,800			
85	71.5	6,200	74.0	5,800	77.5	5,500			
90	70.5	5,800	73.0	5,500	76.0	5,100	78.5	4,900	
95	69.0	5,400	71.5	5,100	74.5	4,800	77.5	4,600	
100	68.0	5,100	70.5	4,800	73.5	4,500	76.0	4,400	
105	66.5	4,800	69.0	4,500	72.0	4,300	74.5	4,100	
110	65.0	4,500	67.5	4,300	70.5	4,000	73.0	3,900	
115	64.0	4,300	66.5	4,000	69.5	3,800	72.0	3,700	
120	62.5	4,000	65.0	3,800	68.0	3,600	70.5	3,500	
125	61.0	3,800	63.5	3,600	66.5	3,400	69.0	3,300	
130	59.5	3,600	62.0	3,400	65.0	3,200	67.5	3,100	
135	58.0	3,400	60.5	3,200	63.5	3,000	66.0	2,900	
140	56.5	3,200	59.0	3,000	62.0	2,800	64.0	2,800	
145	55.0	3,000	57.5	2,800	60.5	2,700	62.5	2,600	
150	53.5	2,800	56.0	2,700	59.0	2,500	61.0	2,500	
155	52.0	2,700	54.5	2,500	57.0	2,400	59.0	2,400	
160	50.5	2,600	53.0	2,400	55.5	2,300	57.5	2,200	
165	48.5	2,300	51.0	2,300	53.5	2,200	55.5	2,100	
170	46.5	1,900	49.5	2,200	52.0	2,100	53.5	2,000	
175	44.5	1,500	47.5	1,900	50.0	2,000	51.5	1,900	
180	42.5	1,200	45.5	1,500	48.0	1,800	49.5	1,900	
185					45.5	1,400	47.0	1,600	
Min. Bm. Ang./Cap.	42.0		43.0		43.5		44.0		
Radius (ft)	181.3		185.0		190.0		191.3		
Maximum Boom Length At 0° Boom Angle (ft)					94				

Not for crane operations



Rated Lifting Capacities In Pounds		Full					
		162 ft Boom		150 ft Boom		124.7 ft Boom	
Load Radius (ft)	Boom Mode EM1		Boom Mode EM2		Boom Mode EM3		
	$\Delta^\circ$	360°	$\Delta^\circ$	360°	$\Delta^\circ$	360°	
25					79.0	34,500	
30					77.5	34,500	
35	78.0	17,000	78.0	25,200	75.5	34,500	
40	77.0	17,000	77.0	25,200	73.5	32,900	
45	75.5	17,000	75.5	25,200	71.5	30,000	
50	74.0	17,000	74.0	24,600	69.5	27,400	
55	73.0	17,000	72.0	22,600	67.0	25,100	
60	71.5	17,000	70.0	21,000	65.0	22,900	
65	70.0	17,000	68.5	19,500	62.5	21,100	
70	68.5	17,000	66.5	18,100	60.5	19,700	
75	67.0	16,000	64.5	16,900	58.0	18,100	
80	65.0	14,900	62.5	15,700	55.0	16,200	
85	63.0	13,900	60.5	14,700	52.5	14,300	
90	61.5	12,900	58.5	13,400	49.5	12,700	
95	59.5	12,000	56.0	12,000	47.0	11,300	
100	57.5	10,700	54.0	10,800	43.5	10,100	
105	55.0	9,600	51.5	9,600	40.5	8,900	
110	53.0	8,600	49.0	8,600	37.0	7,900	
115	50.5	7,700	46.5	7,700	33.0	7,000	
120	48.5	6,900	44.0	6,900	28.5	6,200	
125	46.0	6,200	41.0	6,200	23.5	5,400	
130	43.5	5,500	38.0	5,500	16.5	4,800	
135	40.5	4,800	34.5	4,800			
140	38.0	4,300	31.0	4,300			
145	35.0	3,700	27.0	3,700			
150	31.5	3,200	22.5	3,200			
155	28.0	2,800	16.5	2,800			
160	23.5	2,300					
165	18.5	2,000					
170	10.5	1,600					
Min.Bm. Ang./Cap.	0.0	1,500	0.0	2,500	0.0	4,300	
Radius (ft)	171.5		159.5		134.2		

Not for crane operations



Rated Lifting Capacities In Pounds		10.0' Hydraulic Offset Fly										EM 1	360°
		Boom Length (ft)											
Load Radius (ft)	41.4	55.0	70.0	85.0	100.0	115.0	130.0	145.0	155.0	162.0	29,000 lb		
		10	51,800										
12	47,200	51,800	48,600										
15	46,200	46,700	48,600	48,600									
20	45,000	45,500	45,100	43,900	45,100	38,100	28,800	25,400	22,300				
25	44,400	44,700	44,300	43,300	41,100	38,100	28,800	25,400	22,300				
30	43,800	44,200	43,800	42,800	38,800	36,000	28,800	25,400	22,300				
35	42,100	44,100	40,900	40,900	34,800	32,800	28,800	25,400	22,300				19,900
40	42,100	43,000	37,000	37,000	31,800	29,900	28,800	25,400	22,300				19,900
45		41,900	34,000	34,000	28,900	27,400	26,900	25,400	22,300				19,900
50		38,400	31,200	31,200	26,500	25,200	24,500	23,800	22,300				19,900
55		32,600	28,900	28,700	24,300	23,300	22,500	21,100	20,800				18,300
60			26,800	26,600	22,500	20,700	20,700	19,000	19,200				16,900
65			25,100	24,700	20,800	18,700	17,700	17,600	16,700				15,900
70			22,600	22,800	19,400	17,400	16,700	16,700	15,500				14,700
75				20,200	18,100	17,400	15,500	14,900	14,400				13,600
80				18,000	17,100	15,900	14,500	13,300	12,900				12,600
85				16,200	16,000	14,300	13,500	12,500	11,500				11,200
90					14,700	14,300	13,500	12,500	11,500				9,900
95					13,200	12,800	12,500	11,800	10,200				8,800
100					12,000	11,600	11,200	10,600	9,500				7,800
105						10,400	10,100	9,500	8,100				6,900
110						9,400	9,100	8,400	7,100				6,100
115						8,500	8,200	7,500	6,300				5,300
120							7,400	6,700	5,600				4,700
125							6,600	6,000	4,900				4,000
130							5,900	5,300	4,300				3,500
135								4,700	3,700				2,900
140								4,100	3,200				2,500
145								3,600	2,700				2,000
150									2,200				1,500
155													0/1,400
160													163.5
Min. Bm. Ang./Cap.	0/33,900	0/17,900	0/10,100	0/8,600	0/6,800	0/5,600	0/4,100	0/2,900	0/2,200				0/1,400
Radius (ft)	42.8	56.5	71.5	86.5	101.5	116.5	131.5	146.5	156.5				


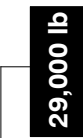
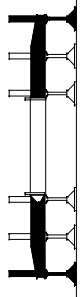

Not for crane operations

Rated Lifting Capacities In Pounds		10.0' Hydraulic Offset Fly										EM 2		360°	
		2° - 45°										29,000 lb		Full	
Load Radius (ft)	Boom Length (ft)										150.0				
	41.4	55.0	70.0	85.0	100.0	115.0	130.0	140.0	150.0						
10	51,800	51,800	51,800	51,800	51,800	51,800	51,800	51,800	51,800	51,800	51,800	51,800	51,800	51,800	51,800
12	47,200	47,200	47,200	47,200	47,200	47,200	47,200	47,200	47,200	47,200	47,200	47,200	47,200	47,200	47,200
15	46,200	46,700	46,700	46,700	46,700	46,700	46,700	46,700	46,700	46,700	46,700	46,700	46,700	46,700	46,700
20	45,000	45,500	45,500	45,500	45,500	45,500	45,500	45,500	45,500	45,500	45,500	45,500	45,500	45,500	45,500
25	44,400	44,700	44,700	44,700	44,700	44,700	44,700	44,700	44,700	44,700	44,700	44,700	44,700	44,700	44,700
30	43,800	44,200	44,200	44,200	44,200	44,200	44,200	44,200	44,200	44,200	44,200	44,200	44,200	44,200	44,200
35	42,100	44,100	44,100	44,100	44,100	44,100	44,100	44,100	44,100	44,100	44,100	44,100	44,100	44,100	44,100
40	42,100	43,000	43,000	43,000	43,000	43,000	43,000	43,000	43,000	43,000	43,000	43,000	43,000	43,000	43,000
45		41,900	41,900	41,900	41,900	41,900	41,900	41,900	41,900	41,900	41,900	41,900	41,900	41,900	41,900
50		38,400	38,400	38,400	38,400	38,400	38,400	38,400	38,400	38,400	38,400	38,400	38,400	38,400	38,400
55		32,600	32,600	32,600	32,600	32,600	32,600	32,600	32,600	32,600	32,600	32,600	32,600	32,600	32,600
60			28,900	28,900	28,900	28,900	28,900	28,900	28,900	28,900	28,900	28,900	28,900	28,900	28,900
65			25,500	25,500	25,500	25,500	25,500	25,500	25,500	25,500	25,500	25,500	25,500	25,500	25,500
70			22,500	22,500	22,500	22,500	22,500	22,500	22,500	22,500	22,500	22,500	22,500	22,500	22,500
75															
80															
85															
90															
95															
100															
105															
110															
115															
120															
125															
130															
135															
140															
145															
150															
Min. Bm. Ang./Cap.	0/33,900	0/17,900	0/11,100	0/9,400	0/7,700	0/6,200	0/4,700	0/3,700	0/2,400						
Radius (ft)	42.8	56.5	71.5	86.5	101.5	116.5	131.5	141.5	151.5						



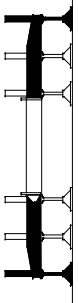

Not for crane operations

Rated Lifting Capacities In Pounds		10.0' Hydraulic Offset Fly							EM 3	29,000 lb	360°
		2°-45°	55.0	70.0	85.0	100.0	115.0	124.7			
Load Radius (ft)		Boom Length (ft)									
41.4		55.0	70.0	85.0	100.0	115.0	124.7				
10	51,800	51,800	51,800	51,800	51,800	51,800	51,800	51,800	51,800	51,800	51,800
12	47,200	51,800	51,800	51,800	51,800	51,800	51,800	51,800	51,800	51,800	51,800
15	46,200	46,700	51,800	51,800	51,800	51,800	51,800	51,800	51,800	51,800	51,800
20	45,000	45,500	45,800	45,800	45,800	45,800	45,800	45,800	45,800	45,800	45,800
25	44,400	44,700	45,000	45,000	45,000	45,000	45,000	45,000	45,000	45,000	45,000
30	43,800	44,200	44,400	44,400	44,400	44,400	44,400	44,400	44,400	44,400	44,400
35	42,100	44,100	44,000	43,800	43,800	43,800	43,800	43,800	43,800	43,800	43,800
40	42,100	43,000	43,800	43,800	43,800	43,800	43,800	43,800	43,800	43,800	43,800
45		41,900	43,700	43,400	43,400	43,400	43,400	43,400	43,400	43,400	43,400
50		38,300	38,800	38,400	38,400	38,400	38,400	38,400	38,400	38,400	38,400
55		32,600	33,100	32,700	32,700	32,700	32,700	32,700	32,700	32,700	32,700
60			28,500	28,100	28,100	28,100	28,100	28,100	28,100	28,100	28,100
65			24,800	24,400	24,400	24,400	24,400	24,400	24,400	24,400	24,400
70			21,700	21,300	21,300	21,300	21,300	21,300	21,300	21,300	21,300
75				18,800	18,800	18,800	18,800	18,800	18,800	18,800	18,800
80				16,700	16,700	16,700	16,700	16,700	16,700	16,700	16,700
85				14,800	14,800	14,800	14,800	14,800	14,800	14,800	14,800
90				12,800	12,800	12,800	12,800	12,800	12,800	12,800	12,800
95				11,400	11,400	11,400	11,400	11,400	11,400	11,400	11,400
100				10,100	10,100	10,100	10,100	10,100	10,100	10,100	10,100
105											
110											
115											
120											
125											
Min.Bm. Ang./Cap.	0/33,900	0/18,100	0/15,400	0/12,500	0/9,900	0/6,200	0/4,400				
Radius (ft)	42.8	56.5	71.5	86.5	101.5	116.5	126.2				

Not for crane operations

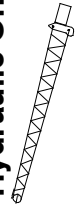
Rated Lifting Capacities In Pounds		31.0' Hydraulic Offset Fly												   <b>Full</b>		 <b>360°</b>				
		70.3				100.0				130.6								162.0		
		41.4		2-15		15-30		30-45		2-15		15-30						30-45		2-15
Load Radius (ft)	Offset In °	2-15	15-30	30-45	2-15	15-30	30-45	2-15	15-30	30-45	2-15	15-30	30-45	2-15	15-30	30-45	2-15	15-30	30-45	
15		26,300	26,300		33,900				23,200											
20		23,800	23,800		25,100	25,100			22,300	22,300										
25		20,500	17,800	17,800	23,500	23,500			16,900	16,900	16,900	16,900								
30		19,000	16,800	15,300	20,700	17,700	17,700		16,500	16,500	14,800	14,800	15,900	15,900						
35		17,700	15,900	14,700	19,700	17,000	15,200		16,000	16,000	14,500	14,500	15,600	15,600	14,400	14,400				
40		16,600	15,200	14,000	18,700	16,400	14,800		15,600	15,600	14,300	14,300	15,300	15,300	14,400	14,400	14,400	14,400	14,400	14,200
45		15,700	14,600	13,400	17,900	15,800	14,500		15,300	15,300	13,600	13,600	15,100	15,100	14,400	14,400	14,400	14,400	14,400	13,100
50		14,900	14,200	13,000	17,100	15,300	14,000		14,000	14,000	13,300	13,300	14,800	14,800	14,400	14,400	14,400	14,400	14,400	12,900
55		14,300	13,800	12,800	16,400	14,900	13,600		14,700	14,700	12,800	12,800	15,900	15,900	14,400	14,400	14,400	14,400	14,400	12,700
60		13,900	13,700	12,800	15,800	14,500	13,300		14,400	14,400	12,700	12,700	15,600	15,600	14,400	14,400	14,400	14,400	14,400	12,600
65					15,300	14,200	13,000		14,200	14,200	12,600	12,600	15,400	15,400	14,400	14,400	14,400	14,400	14,400	12,500
70					14,800	14,000	12,800		14,000	14,000	12,500	12,500	14,200	14,200	14,400	14,400	14,400	14,400	14,400	12,300
75					14,400	13,800	12,700		13,800	13,800	12,400	12,400	14,200	14,200	14,400	14,400	14,400	14,400	14,400	12,200
80					14,100	13,700	12,700		13,800	13,800	12,300	12,300	14,200	14,200	14,400	14,400	14,400	14,400	14,400	12,200
85					13,800	13,600	12,700		13,800	13,800	12,200	12,200	14,200	14,200	14,400	14,400	14,400	14,400	14,400	12,200
90					13,700	13,600			13,200	13,300	12,600	12,600	14,200	14,200	14,400	14,400	14,400	14,400	14,400	12,200
95									12,400	12,500	12,500	12,500	14,200	14,200	14,400	14,400	14,400	14,400	14,400	12,200
100									11,700	11,800	11,900	11,900	14,200	14,200	14,400	14,400	14,400	14,400	14,400	12,200
105									11,000	11,100	11,200	11,200	14,200	14,200	14,400	14,400	14,400	14,400	14,400	12,200
110									10,400	10,500	10,600	10,600	14,200	14,200	14,400	14,400	14,400	14,400	14,400	12,200
115									9,700	9,800	9,800	9,800	14,200	14,200	14,400	14,400	14,400	14,400	14,400	12,200
120									8,900	8,800			14,200	14,200	14,400	14,400	14,400	14,400	14,400	12,200
125													7,800	8,100	8,200	8,200	8,200	8,200	8,200	12,200
130													7,100	7,400	7,600	7,600	7,600	7,600	7,600	12,200
135													6,400	6,600	6,800	6,800	6,800	6,800	6,800	12,200
140													5,800	6,000	6,100	6,100	6,100	6,100	6,100	12,200
145													5,200	5,300	5,400	5,400	5,400	5,400	5,400	12,200
150													4,700	4,800	4,800	4,800	4,800	4,800	4,800	12,200
155													4,200	4,100	4,100	4,100	4,100	4,100	4,100	12,200
160																				12,200
165																				12,200
170																				12,200
Min Bm. Ang./Cap.		0/13,700	0/13,700	0/12,800	0/6,100	0/6,100	0/6,400	0/4,000	0/4,100	0/4,100	0/4,300	0/2,100	0/2,100	0/2,100	0/2,100	0/2,200	27.5/0	28.0/0	28.0/0	28.0/0
Radius (ft)		64.0	64.0	62.9	92.9	92.7	91.2	122.6	122.3	120.5	153.2	152.9	150.9	170.0	172.5	172.0	170.0	172.5	172.0	172.0



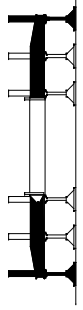
Rated Lifting Capacities In Pounds		31.0' Hydraulic Offset Fly												   <b>Full</b>		 <b>360°</b>			
		Boom Length (ft)																	
		41.4				54.6				68.7								96.3	
Load Radius (ft)	2-15	15-30	30-45	2-15	15-30	30-45	2-15	15-30	30-45	2-15	15-30	30-45	2-15	15-30	30-45	2-15	15-30	30-45	
15	26,300	26,300		27,100	27,100		34,700	25,600	25,600		24,600	24,600		24,600	24,600				
20	23,800	23,800		24,800	24,800		23,800	23,800	23,800		23,400	23,400		23,400	23,400		27,800		
25	20,500	17,800	17,800	22,900	18,300	18,300	20,000	20,000	20,000	18,300	22,200	17,600	17,600	20,200	20,200	20,200	19,600	16,800	16,800
30	19,000	16,800	15,300	20,200	17,400	15,500	19,000	19,000	19,000	15,500	19,300	14,800	14,800	19,000	19,000	19,000	19,000	16,400	14,700
35	17,700	15,900	14,700	19,000	16,600	15,000	17,200	17,100	17,100	15,000	18,600	14,100	14,100	18,500	18,500	18,500	18,500	16,000	14,500
40	16,600	15,200	14,000	17,900	15,900	14,600	16,500	16,500	16,500	14,600	17,900	13,600	13,600	18,000	18,000	18,000	18,000	15,700	14,300
45	15,700	14,600	13,400	17,000	15,300	14,000	15,900	15,900	15,900	14,000	17,300	13,300	13,300	17,500	17,500	17,500	17,500	15,400	14,000
50	14,900	14,200	13,000	16,200	14,800	13,600	15,300	15,300	15,300	13,600	16,700	13,000	13,000	17,100	17,100	17,100	17,100	15,100	13,700
55	14,300	13,800	12,800	15,500	14,400	13,200	14,800	14,800	14,800	13,200	16,200	12,900	12,900	16,600	16,600	16,600	16,600	14,800	13,500
60	13,900	13,700	12,800	14,800	14,100	12,900	14,400	14,400	14,400	12,900	15,700	12,800	12,800	16,200	16,200	16,200	16,200	14,600	13,300
65				14,300	13,800	12,800	14,100	14,100	14,100	12,800	15,300	12,800	12,800	15,600	15,600	15,600	15,600	14,400	13,100
70				14,000	13,800	12,800	14,000	14,000	14,000	12,800	14,900	12,800	12,800	14,300	14,300	14,300	14,300	14,200	12,900
75				13,800	13,800		13,700	13,700	13,700		14,200	12,700	12,700	12,700	12,700	12,700	12,700	13,300	12,800
80											12,800	12,700	12,700	11,200	11,200	11,200	11,800	12,400	
85											11,500	12,100	12,100	10,000	10,000	10,000	10,500	11,000	
90											10,300	10,800	10,800	8,800	8,800	8,800	9,300	9,800	
95											9,300	9,600	9,600	7,800	7,800	7,800	8,300	8,700	
100											8,400	8,600	8,600	6,900	6,900	6,900	7,300	7,700	
105														6,100	6,100	6,100	6,400	6,700	
110														5,300	5,300	5,300	5,700	5,900	
115														4,700	4,700	4,700	4,900	5,100	
120														4,100	4,100	4,100	4,300	4,300	
125														3,500	3,500	3,500	3,600	3,600	
130														3,000	3,000	3,000	3,100	3,100	
135																			
140																			
145																			
Min. Bm. Ang./Cap.	0/13,700	0/13,700	0/12,800	0/10,500	0/10,700	0/11,200	0/9,100	0/9,300	0/9,300	0/11,200	0/6,200	0/6,300	0/6,700	0/2,800	0/2,800	0/2,800	0/2,800	0/2,900	
Radius (ft)	64.0	64.0	62.9	77.2	77.1	75.8	91.3	91.1	89.6	118.9	118.6	116.9	147.2	146.9	144.9				

# 55.0' Hydraulic Offset Fly

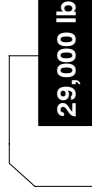
**Rated Lifting Capacities  
In Pounds**



2° - 45°



Full



29,000 lb

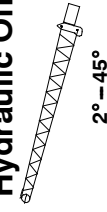
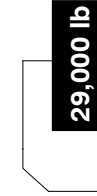


Load Radius (ft)	Boom Length (ft)															
	41.4				70.3				130.6				162.0			
	2-15	15-30	30-45		2-15	15-30	30-45		2-15	15-30	30-45		2-15	15-30	30-45	
15	20,000															
20	17,900				17,800											
25	13,700	13,700			16,800											
30	12,700	12,700			15,700	15,100										
35	11,800	11,800		12,400	14,500	14,500										
40	11,000	9,700	9,700	11,800	11,800	11,800	11,800									
45	10,300	9,200	9,200	9,600	11,200	11,400	11,400	13,000								
50	9,700	8,800	7,700	9,300	10,700	10,900	10,900	12,700	10,700	10,700						
55	9,200	8,400	7,400	8,900	10,200	10,600	9,100	10,400	10,400	10,400	9,100					
60	8,700	8,100	7,000	8,600	9,700	10,200	8,800	10,100	10,100	10,100	8,800	8,600	8,600	9,500	9,500	
65	8,300	7,800	6,800	8,400	9,400	9,800	8,600	9,900	9,900	9,900	7,300	7,200	7,200	9,300	9,300	
70	8,000	7,500	6,600	8,100	9,000	9,500	8,400	9,600	9,600	9,600	7,100	7,000	7,000	9,100	9,100	
75	7,600	7,200	6,600	7,900	8,700	9,200	8,200	9,400	9,400	9,400	7,000	7,000	7,000	9,000	9,000	7,900
80	7,300	7,000	6,600	7,700	8,400	9,000	8,000	9,100	9,100	9,100	6,800	6,900	6,900	8,800	8,800	7,900
85	7,000	7,000		7,500	8,100	8,700	7,800	8,900	8,900	8,900	6,700	6,800	6,800	8,600	8,600	7,600
90				7,300	7,900	8,500	7,700	8,700	8,700	8,700	6,600	6,700	6,700	8,500	8,500	7,600
95				7,100	7,700	8,300	7,600	8,500	8,500	8,500	6,500	6,600	6,600	8,400	8,400	7,500
100				7,000	7,600	8,100	7,400	8,400	8,400	8,400	6,400	6,500	6,500	8,200	8,200	7,400
105				6,900	7,500	8,000	7,300	8,200	8,200	8,200	6,300	6,400	6,400	8,100	8,100	7,300
110				6,900	7,500	8,000	7,100	8,000	8,000	8,000	6,300	6,300	6,300	7,700	7,700	7,200
115				6,900	7,500	8,000	7,000	7,900	7,900	7,900	6,300	6,300	6,300	7,200	7,200	7,200
120					7,400	7,900	6,900	7,800	7,800	7,800	6,300	6,300	6,300	6,600	6,600	6,100
125					7,200	7,700	6,800	7,600	7,600	7,600	6,300	6,300	6,300	6,100	6,100	6,100
130					7,100	7,600	6,800	7,500	7,500	7,500	6,300	6,300	6,300	5,700	5,700	6,100
135					6,900	7,400	6,800	7,400	7,400	7,400	6,300	6,300	6,300	5,100	5,100	5,700
140					6,700	7,200	6,700	7,300	7,300	7,300	6,300	6,300	6,300	4,500	4,500	5,300
145					6,500	7,000	6,500	7,100	7,100	7,100	6,300	6,300	6,300	3,900	3,900	4,900
150																4,400
155																3,900
160																3,400
165																2,900
170																2,400
175																2,000
180																1,600
Min. Bm. Ang./Cap.	0/7,000	0/7,000	0/6,600	0/3,900	0/3,900	0/2,400	0/2,500	0/2,600	0/2,400	0/2,400	0/2,500	0/2,600	0/1,100	38.5/0	39.0/0	39.0/0
Radius (ft)	88.0	87.9	86.2	116.5	116.9	146.6	146.0	143.0	175.6	170.7	173.1	180.0	183.3	185.0	185.0	185.0

Not for crane operations

# 55.0' Hydraulic Offset Fly

Rated Lifting Capacities  
In Pounds



2°-45°

Full

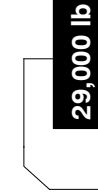
Load Radius (ft)	Boom Length (ft)														
	41.4			67.3			94.0			121.6			150.0		
	2-15	15-30	30-45	2-15	15-30	30-45	2-15	15-30	30-45	2-15	15-30	30-45	2-15	15-30	30-45
15	20,000			18,100			15,700								
20	17,900			16,900			15,000								
25	13,700	13,700			13,200		12,400								
30	12,700	12,700			11,800		11,800	12,000							
35	11,800	11,800			9,600	9,600	11,500	11,500	11,400				12,200		
40	11,000	9,700	9,700		9,200	9,200	11,000	9,400	11,000	9,400			12,000		
45	10,300	9,200	9,200		8,900	7,700	10,600	9,100	10,700	9,100			10,200		
50	9,700	8,800	7,700		8,600	7,400	10,200	8,900	10,400	7,500			10,000		
55	9,200	8,400	7,400		8,300	7,200	9,900	8,600	10,100	7,300			9,800		
60	8,700	8,100	7,000		8,100	7,000	9,500	8,400	9,800	7,200			9,600		
65	8,300	7,800	6,800		7,900	6,800	9,200	8,200	9,500	7,000			9,400		
70	8,000	7,500	6,600		7,700	6,600	8,900	8,000	9,300	6,800			9,200		
75	7,600	7,200	6,600		7,500	6,500	8,700	7,800	9,000	6,700			9,000		
80	7,300	7,000	6,600		7,300	6,400	8,400	7,700	8,800	6,600			8,800		
85	7,000	7,000			7,100	6,400	8,200	7,500	8,600	6,500			8,600		
90					7,000	6,400	7,800	7,200	8,400	6,400			8,400		
95					6,900	6,400	7,700	7,100	8,200	6,300			8,300		
100					6,900	6,400	7,500	7,000	8,000	6,300			8,100		
105						6,400	7,300	7,200	7,900	6,300			7,800		
110							7,300	7,400	8,200	6,400			8,300		
115							7,100	7,200	8,000	6,400			8,100		
120							6,900	7,000	7,800	6,300			7,900		
125								6,900	7,700	6,300			7,200		
130								6,800	7,500	6,300			7,200		
135								6,900	7,300	6,300			7,200		
140								6,900	7,100	6,300			6,600		
145								6,900	7,000	6,300			6,600		
150									6,800	6,300			6,600		
155									6,800	6,300			6,600		
160									6,800	6,300			6,600		
165									6,900	6,300			6,500		
170									6,900	6,300			6,500		
175									6,900	6,300			6,500		
180									6,900	6,300			6,500		
Min. Bm. Ang./Cap.	0/7,000	0/7,000	0/6,600	0/4,400	0/4,500	0/4,800	0/3,100	0/3,200	0/1,700	0/1,800	0/1,900	0/1,900	30.0/0	31.0/0	31.0/0
Radius (ft)	88.0	87.9	86.2	113.9	113.5	111.1	140.6	140.0	168.2	167.5	164.2	164.2	181.7	185.0	180.6



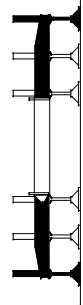
Rated Lifting Capacities In Pounds		55.0' Hydraulic Offset Fly												EM 3	360°	
		2° - 45°				Full				29,000 lb						
Load Radius (ft)	Offset In°	Boom Length (ft)														
		41.4			54.6			68.7			96.3			124.7		
		2-15	15-30	30-45	2-15	15-30	30-45	2-15	15-30	30-45	2-15	15-30	30-45	2-15	15-30	30-45
15	20,000															
20	17,900				18,500			19,000								
25	13,700				16,900			17,600								
30	12,700				13,100	13,100		13,400	13,400							
35	11,800				12,200	12,200		12,700	12,700							
40	11,000				11,500	10,000	10,000	12,000	12,000					15,100		
45	10,300				10,800	9,500	9,500	11,300	11,900	9,700				14,600		
50	9,700				10,300	9,100	7,900	10,800	11,400	9,300				11,700	11,700	
55	9,200				9,800	8,700	7,600	10,300	10,900	9,000				11,300	11,300	
60	8,700				9,300	8,400	7,300	9,800	10,500	8,700				11,000	11,000	
65	8,300				8,900	8,100	7,000	9,400	10,100	8,400				10,600	10,600	9,000
70	8,000				8,500	7,900	6,800	9,000	9,800	8,200				10,300	10,300	8,800
75	7,600				8,200	7,600	6,600	8,700	9,400	7,900				10,000	10,000	8,600
80	7,300				7,900	7,400	6,500	8,400	9,100	7,800				9,700	9,700	8,400
85	7,000				7,600	7,200	6,400	8,100	8,900	7,500				9,400	9,400	8,300
90					7,300	7,000	6,400	7,900	8,600	7,300				9,200	9,200	8,100
95					7,100	7,000		7,700	8,400	7,700				8,900	8,900	7,900
100					7,000			7,400	8,200	7,500				8,700	8,700	7,800
105								7,200	8,000	7,300				8,500	8,500	7,700
110								7,000	7,800	7,200				8,300	8,300	7,600
115								7,000	7,600	7,100				8,200	8,200	7,600
120									7,400	7,000				8,000	8,000	7,300
125									7,200	6,900				7,200	7,200	6,300
130									7,100	6,900				6,400	6,400	6,300
135									6,600	6,900				5,700	5,700	6,300
140									6,100	6,200				5,100	5,100	6,100
145									6,000	6,200				4,500	4,500	5,300
150									6,000	6,200				3,900	3,900	4,700
155									6,000	6,200				3,400	3,400	4,100
160									6,000	6,200				3,000	3,000	3,400
165									6,000	6,200				2,500	2,500	2,900
170									6,000	6,200				2,200	2,200	2,300
Min. Bm. Ang./Cap.	0/7,000	0/7,000	0/6,600	0/6,700	0/6,800	0/6,400	0/6,400	0/5,800	0/6,000	0/6,400	0/6,400	0/4,000	0/4,300	0/1,800	0/1,800	0/1,900
Radius (ft)	88.0	87.9	86.2	101.2	100.9	98.8	98.8	115.3	114.9	112.5	142.9	142.3	139.4	171.2	170.5	167.2

# 73.0' Hydraulic Offset Fly

Rated Lifting Capacities  
In Pounds



29,000 lb



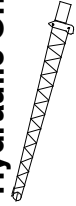
Full

2°-45°

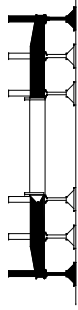
Load Radius (ft)	Boom Length (ft)															
	41.4			70.3			100.0			130.6			162.0			
	2-15	15-30	30-45	2-15	15-30	30-45	2-15	15-30	30-45	2-15	15-30	30-45	2-15	15-30	30-45	
20	18,000															
25	16,700															
30	13,300	13,300														
35	12,500	12,500	10,100	12,400	12,400		13,200									
40	11,800	10,100	9,700	11,900	11,900		12,800									
45	11,100	9,700	9,300	11,400	11,400		11,000									
50	10,600	9,300	7,700	9,400	9,400	9,400	10,700									
55	10,000	8,900	7,400	9,100	9,100	9,100	10,400									
60	9,300	8,600	7,400	8,800	8,800	7,500	8,800									
65	8,500	8,300	7,200	8,600	8,600	7,300	8,600									
70	7,900	7,700	6,900	8,300	8,300	7,100	8,400									
75	7,300	7,200	6,700	7,800	7,800	7,000	9,100									
80	6,800	6,700	6,600	7,300	7,300	6,800	8,600									
85	6,300	6,200	6,200	6,900	6,900	6,600	8,200									
90	6,000	5,900	5,900	6,500	6,500	6,300	7,700									
95	5,600	5,600	5,600	6,200	6,200	6,000	7,400									
100	5,400	5,400	5,400	5,900	5,900	5,800	7,000									
105	5,400			5,700	5,700	5,600	6,700									
110				5,500	5,500	5,400	6,400									
115				5,300	5,300	5,300	6,100									
120				5,200	5,200	5,200	5,900									
125				5,100	5,100	5,100	5,700									
130				5,100	5,100		5,500									
135							5,300									
140							5,200									
145							5,000									
150							4,700									
155							4,500									
160							4,400									
165							4,400									
170																
175																
180																
185																
190																
195																
Min. Bm. Ang./Cap.	0/5,400	0/5,400	0/5,400	0/5,100	0/5,100	0/5,100	0/3,600	0/3,600	0/3,600	0/3,900	0/1,400	0/1,400	0/1,400	0/1,500	48.0/0	49.5/0
Radius (ft)	105.9	105.4	103.0	134.8	134.1	131.2	164.5	164.5	163.7	160.4	195.1	194.2	194.2	190.6	175.0	180.0

# 73.0' Hydraulic Offset Fly

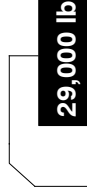
Rated Lifting Capacities  
In Pounds



2° - 45°



Full

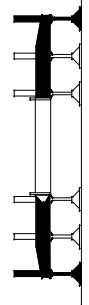
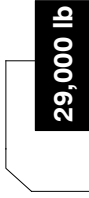


29,000 lb



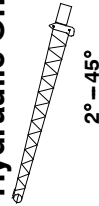
Load Radius (ft)	Boom Length (ft)																								
	41.4					67.3					94.0					121.6					150.0				
	2-15	15-30	30-45	2-15	15-30	30-45	2-15	15-30	30-45	2-15	15-30	30-45	2-15	15-30	30-45	2-15	15-30	30-45	2-15	15-30	30-45				
20	18,000																								
25	16,700			15,800																					
30	13,300			15,100																					
35	12,500			12,500	12,500																				
40	11,800		10,100	12,000	12,000																				
45	11,100		9,700	11,400	11,400																				
50	10,600		9,300	11,000	9,400	9,400																			
55	10,000		8,900	10,500	9,100	9,100																			
60	9,300		8,600	10,100	8,800	7,900																			
65	8,500		8,300	9,600	8,600	7,800																			
70	7,900		7,700	8,900	8,200	7,600																			
75	7,300		7,200	8,300	7,700	7,400																			
80	6,800		6,700	7,800	7,300	7,000																			
85	6,300		6,200	7,300	6,900	6,600																			
90	6,000		5,900	6,900	6,500	6,300																			
95	5,600		5,600	6,500	6,200	6,000																			
100	5,400		5,400	6,200	5,900	5,800																			
105	5,400			5,900	5,600	5,600																			
110				5,700	5,400	5,400																			
115				5,500	5,300	5,300																			
120				5,300	5,200	5,200																			
125				5,200	5,200	5,200																			
130				5,200	5,200																				
135																									
140																									
145																									
150																									
155																									
160																									
165																									
170																									
175																									
180																									
185																									
Min. Bm. Ang./Cap.	0/5,400	0/5,400	0/5,400	0/5,100	0/5,200	0/5,200	0/3,800	0/3,900	0/4,200	0/4,200	0/2,000	0/2,000	0/2,000	0/2,000	0/2,000	0/2,100	42.5/0	43.5/0	43.5/0	43.5/0	43.5/0	43.5/0	43.5/0		
Radius (ft)	105.9	105.4	103.0	131.8	131.1	128.2	158.5	157.7	154.4	154.4	186.1	185.2	185.2	185.2	181.7	177.5	181.7	181.7	177.5	181.7	181.7	181.7	185.0		

# 73.0' Hydraulic Offset Fly



Full

Rated Lifting Capacities  
In Pounds

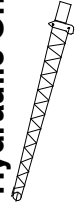


2°-45°

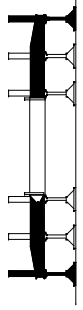
Load Radius (ft)	Boom Length (ft)																			
	41.4				54.6				68.7				96.3				124.7			
	2-15	15-30	30-45	2-15	15-30	30-45	2-15	15-30	30-45	2-15	15-30	30-45	2-15	15-30	30-45	2-15	15-30	30-45		
20	18,000			17,500			16,700						15,400							
25	16,700			16,500			15,900						14,900							
30	13,300	13,300		13,400	13,400		12,900	12,900				12,300	12,300				13,000			
35	12,500	12,500		12,700	12,700		12,000	12,000				11,900	11,900				12,700			
40	11,800	10,100	10,100	11,400	9,800	9,800	11,700	11,700				11,500	11,500				12,400			
45	11,100	9,700	9,700	10,900	9,400	9,400	9,600	9,600				11,100	11,100				10,700	10,700		
50	10,600	9,300	9,300	10,400	9,100	7,800	9,200	9,200				10,700	10,700				10,400	10,400		
55	10,000	8,900	7,700	9,900	8,800	7,500	9,000	9,000				10,400	10,400				10,100	10,100		
60	9,300	8,600	7,400	9,100	8,500	7,300	8,700	8,700				9,900	9,900				9,700	9,700		
65	8,500	8,300	7,200	8,500	8,100	7,100	8,400	8,400				9,400	9,400				9,100	9,100		
70	7,900	7,700	6,900	7,900	7,500	6,900	7,800	7,800				8,800	8,800				8,500	8,500		
75	7,300	7,200	6,700	7,400	7,000	6,700	7,400	7,400				8,300	8,300				8,000	8,000		
80	6,800	6,700	6,600	7,400	7,000	6,700	7,400	7,400				7,900	7,900				7,700	7,700		
85	6,300	6,200	6,200	6,900	6,600	6,500	7,000	7,000				7,500	7,500				7,300	7,300		
90	6,000	5,900	5,900	6,500	6,200	6,200	6,600	6,600				7,000	7,000				6,800	6,800		
95	5,600	5,600	5,600	6,100	5,900	5,900	6,300	6,300				6,800	6,800				6,600	6,600		
100	5,400	5,400	5,400	5,800	5,600	5,600	6,000	6,000				6,500	6,500				6,300	6,300		
105	5,400			5,600	5,400	5,400	5,700	5,700				6,200	6,200				6,000	6,000		
110				5,400	5,300	5,300	5,500	5,500				6,000	6,000				5,800	5,800		
115				5,300	5,300		5,300	5,300				5,700	5,700				5,500	5,500		
120							5,400	5,200				5,500	5,500				5,300	5,300		
125							5,300	5,200				5,200	5,200				5,000	5,000		
130							5,300	5,200				5,200	5,200				5,000	5,000		
135																	5,000	5,000		
140																	4,900	4,900		
145																	4,400	4,400		
150																	3,800	3,800		
155																	3,300	3,300		
160																	2,900	2,900		
165																	2,400	2,400		
170																	2,000	2,000		
175																	1,600	1,600		
Min. Bm. Ang./Cap.	0/5,600	0/5,400	0/5,400	0/5,300	0/5,300	0/5,300	0/4,900	0/5,000	0/5,200	0/5,200	0/5,200	0/3,300	0/3,300	0/3,400	0/3,600	28.5/0	28.5/0	28.5/0	27.0/0	
Radius (ft)	105.9	105.4	103.0	119.1	118.5	115.8	133.2	132.5	129.6	129.6	129.6	160.8	160.8	160.0	156.7	178.3	180.0	180.0	175.3	

# 91.0' Hydraulic Offset Fly

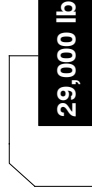
Rated Lifting Capacities  
In Pounds



2° - 45°



Full



29,000 lb

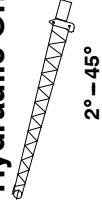


Load Radius (ft)	Boom Length (ft)																			
	41.4				70.3				100.0				130.6				162.0			
	2-15	15-30	30-45		2-15	15-30	30-45		2-15	15-30	30-45		2-15	15-30	30-45		2-15	15-30	30-45	
25	15,900																			
30	13,300	13,300			13,300															
35	12,600	12,600			13,000															
40	11,800	12,100			11,300	11,300														
45	10,500	9,800	9,800		11,000	11,000														
50	9,400	9,500	9,500		10,100	10,100														
55	8,400	8,700	7,900		9,200	9,000	9,000													
60	7,600	7,800	7,600		8,500	8,200	8,200													
65	6,900	7,100	7,400		7,800	7,600	7,400													
70	6,300	6,400	6,700		7,200	7,000	7,000													
75	5,700	5,800	6,100		6,600	6,400	6,400													
80	5,200	5,300	5,500		6,100	5,900	5,900													
85	4,800	4,900	5,000		5,700	5,500	5,500													
90	4,400	4,500	4,600		5,300	5,100	5,100													
95	4,100	4,100	4,200		4,900	4,800	4,800													
100	3,800	3,800	3,800		4,600	4,400	4,400													
105	3,500	3,500	3,600		4,200	4,100	4,100													
110	3,300	3,300	3,300		4,000	3,900	3,900													
115	3,100	3,100	3,100		3,700	3,600	3,600													
120	3,000	3,000			3,500	3,400	3,400													
125					3,300	3,200	3,200													
130					3,100	3,100	3,100													
135					3,000	2,900	2,900													
140					2,900	2,900	2,900													
145					2,900	2,800	2,800													
150					2,900															
155																				
160																				
165																				
170																				
175																				
180																				
185																				
190																				
195																				
Min. Bm. Ang./Cap.	0/3,000	0/3,000	0/3,100		0/2,900	0/2,800	0/2,800		0/1,900	0/1,900	0/2,100		34.0/0	34.0/0	34.0/0		54.0/0	55.5/0	56.0/0	
Radius (ft)	123.9	123.3	120.6		152.8	152.1	148.9		182.5	181.6	178.2		195.0	197.5	196.1		173.3	178.8	183.8	

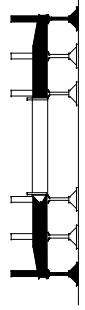
Not for crane operations

91.0' Hydraulic Offset Fly

Rated Lifting Capacities  
In Pounds



2°-45°



Full

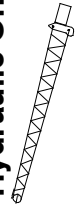
29,000 lb



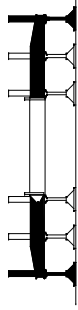
Load Radius (ft)	Boom Length (ft)														
	41.4			67.3			94.0			121.6			150.0		
	2-15	15-30	30-45	2-15	15-30	30-45	2-15	15-30	30-45	2-15	15-30	30-45	2-15	15-30	30-45
25	15,900														
30	13,300	13,300													
35	12,600	12,600													
40	11,800	12,100		11,500			11,400								
45	10,500	9,800	9,800	11,100	10,400		11,400	10,400					9,300		
50	9,400	9,500	9,500	10,100	10,200		10,200	10,200					9,300		
55	8,400	8,700	8,200	9,000	9,400		9,400	9,400					9,200		
60	7,600	7,800	7,600	8,300	8,700		8,700	8,100	8,100				8,800		
65	6,900	7,100	7,400	7,600	7,700		8,100	7,500	7,500				8,200		
70	6,300	6,400	6,700	7,000	7,000		7,500	7,000	6,700				7,900	7,400	
75	5,700	5,800	6,100	6,400	6,500		7,000	6,500	6,300				7,300	7,300	
80	5,200	5,300	5,500	5,900	6,100		6,500	6,100	5,900				6,900	6,900	
85	4,800	4,900	5,000	5,500	5,700		6,100	5,700	5,500				6,500	5,700	5,700
90	4,400	4,500	4,600	5,100	5,300		5,700	5,300	5,200				6,100	5,400	5,400
95	4,100	4,100	4,200	4,700	5,000		5,300	5,000	4,800				5,700	5,100	4,700
100	3,800	3,800	3,800	4,400	4,700		5,000	4,700	4,600				5,500	4,900	4,500
105	3,500	3,500	3,600	4,100	4,400		4,700	4,400	4,300				5,200	4,600	4,200
110	3,300	3,300	3,300	3,800	3,800		4,400	4,200	4,000				5,000	4,400	4,100
115	3,100	3,100	3,100	3,600	3,600		4,200	3,900	3,800				4,700	4,200	3,900
120	3,000	3,000		3,400	3,400		3,900	3,700	3,600				4,500	4,000	3,700
125				3,200	3,200		3,700	3,500	3,400				4,300	3,800	3,500
130				3,000	3,000		3,500	3,300	3,300				4,100	3,600	3,400
135				2,900	2,900		3,300	3,200	3,100				3,900	3,500	3,200
140				2,900	2,900		3,200	3,000	3,000				3,700	3,300	3,100
145				2,900	2,900		3,000	2,900	2,900				3,500	3,200	3,000
150							2,800	2,800	2,800				3,400	3,000	2,800
155							2,800	2,700	2,700				3,200	2,900	2,700
160							2,800	2,700	2,700				2,900	2,800	2,600
165							2,700	2,700	2,700				2,800	2,600	2,600
170							2,700	2,700	2,700				2,700	2,600	2,500
175							2,700	2,700					2,500	2,500	2,100
180													2,300	2,400	1,700
185													2,000	2,200	1,300
190													1,700	1,800	
195													1,400	1,500	
Min. Bm. Ang./Cap.	0/3,000	0/3,000	0/3,100	0/2,900	0/2,100	0/2,300	0/2,100	0/2,100	0/2,300	13.5/0	48.5/0	50.0/0	50.0/0	50.0/0	50.0/0
Radius (ft)	123.9	123.3	120.6	149.1	175.7	172.3	176.5	175.7	172.3	190.9	178.3	183.3	183.3	187.5	187.5

# 91.0' Hydraulic Offset Fly

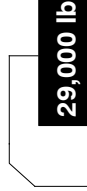
Rated Lifting Capacities  
In Pounds



2° - 45°



Full



29,000 lb



Load Radius (ft)	Boom Length (ft)															
	41.4			54.6			68.7			96.3			124.7			
	2-15	15-30	30-45	2-15	15-30	30-45	2-15	15-30	30-45	2-15	15-30	30-45	2-15	15-30	30-45	
25	15,900			15,000			14,500									
30	13,300	13,300		14,600			14,000									
35	12,600	12,600		12,400	12,400											
40	11,800	12,100	9,800	11,900	11,900	9,500	12,000	12,000	9,500	9,500	10,700		12,900			
45	10,500	9,800	9,500	11,100	11,100		11,400	11,400					12,600			
50	9,400	9,500		10,000	9,500		9,500	9,500					10,700	10,500		
55	8,400	8,700	7,900	9,100	9,100	9,200	9,400	9,200	9,200	9,200	9,800	8,400	9,800	10,500		
60	7,600	7,800	7,600	8,200	8,200	7,600	8,600	8,400	8,400	8,400	8,400	8,400	9,100	9,200	8,400	
65	6,900	7,100	7,400	7,500	7,500	7,400	7,900	7,700	7,500	7,500	7,800	7,800	8,500	8,600	7,800	
70	6,300	6,400	6,700	6,900	6,900	6,900	7,300	7,100	7,100	7,100	7,300	6,900	7,900	8,100	6,900	
75	5,700	5,800	6,100	6,300	6,300	6,300	6,700	6,600	6,600	6,600	6,800	6,500	7,300	7,600	6,800	6,800
80	5,200	5,300	5,500	5,800	5,800	5,800	6,200	6,100	6,100	6,100	6,300	6,100	6,800	7,100	6,400	6,400
85	4,800	4,900	5,000	5,300	5,300	5,300	5,800	5,600	5,600	5,600	5,900	5,700	6,400	6,700	6,000	5,600
90	4,400	4,500	4,600	4,900	4,900	4,900	5,300	5,200	5,200	5,200	5,600	5,400	6,000	6,300	5,700	5,300
95	4,100	4,100	4,200	4,500	4,500	4,500	5,000	4,800	4,800	4,800	5,200	5,000	5,600	5,900	5,400	5,000
100	3,800	3,800	3,800	4,200	4,200	4,200	4,600	4,500	4,500	4,500	4,900	4,700	5,200	5,600	5,100	4,800
105	3,500	3,500	3,600	3,900	3,900	3,900	4,300	4,200	4,200	4,200	4,600	4,500	4,900	5,300	4,800	4,500
110	3,300	3,300	3,300	3,600	3,600	3,600	4,000	3,900	3,900	3,900	4,400	4,200	4,600	5,000	4,600	4,300
115	3,100	3,100	3,100	3,400	3,400	3,400	3,800	3,700	3,700	3,700	4,100	4,000	4,400	4,700	4,300	4,100
120	3,000	3,000		3,200	3,200	3,200	3,500	3,500	3,500	3,500	3,900	3,800	4,100	4,500	4,100	3,900
125				3,100	3,000	3,000	3,300	3,300	3,300	3,300	3,700	3,600	3,900	4,300	3,900	3,700
130				3,000	3,000	3,000	3,200	3,100	3,100	3,100	3,500	3,400	3,700	4,000	3,700	3,500
135				3,000	3,000		2,900	2,900	2,900	2,900	3,300	3,300	3,500	3,800	3,500	3,400
140							2,900	2,900	2,900	2,900	3,200	3,100	3,300	3,700	3,400	3,200
145							2,900	2,900			3,000	3,000	3,200	3,500	3,200	3,100
150							2,900	2,900			2,900	2,900	3,000	3,300	3,100	3,000
155											2,800	2,800	2,900	2,900	3,000	2,900
160											2,800	2,800	2,800	2,400	2,800	2,800
165											2,800	2,700	2,800	2,000	2,400	2,700
170											2,800	2,700	2,800	1,600	2,000	2,300
175											2,800	2,700		1,300	1,600	1,900
180														1,200	1,200	1,500
Min. Bm. Ang./Cap.	0/3,000	0/3,000	0/3,100	0/3,000	0/3,000	0/3,000	0/2,900	0/2,900	0/2,900	0/2,900	0/1,700	0/1,800	0/1,700	38.5/0	39.5/0	40.0/0
Radius (ft)	123.9	123.3	120.6	137.1	136.4	133.5	151.2	150.5	147.3	178.8	178.0	174.5	177.5	181.7	184.0	184.0

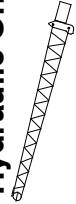
Not for crane operations



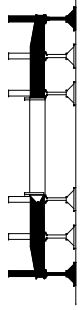


# 109.0' Hydraulic Offset Fly

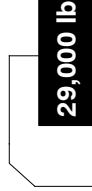
Rated Lifting Capacities  
In Pounds



2° - 45°



Full



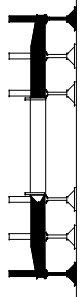
29,000 lb



Load Radius (ft) Offset In °	Boom Length (ft)																			
	41.4				67.3				94.0				121.6				150.0			
	2-15	15-30	30-45		2-15	15-30	30-45		2-15	15-30	30-45		2-15	15-30	30-45		2-15	15-30	30-45	
25	13,900																			
30	13,100																			
35	11,400	12,000																		
40	10,000	10,900																		
45	8,800	9,500			9,400															
50	7,800	8,400	9,500		8,500															
55	6,900	7,400	8,400	7,500	7,600															
60	6,200	6,600	7,400	6,800	6,900	7,100														
65	5,500	5,900	6,500	6,200	6,200	6,400	6,200													
70	4,900	5,200	5,800	5,600	5,700	5,800	5,700	5,700												
75	4,400	4,700	5,100	5,100	5,100	5,200	5,200	5,200	5,100											
80	3,900	4,100	4,500	4,600	4,700	4,700	4,800	4,700	4,700	4,700										
85	3,500	3,700	4,000	4,200	4,200	4,300	4,400	4,300	4,400	4,300	4,200									
90	3,100	3,300	3,500	3,800	3,800	3,900	4,000	4,000	4,000	4,000	3,900	3,900								
95	2,800	2,900	3,100	3,500	3,500	3,500	3,700	3,600	4,000	3,700	3,600	3,600	3,700							
100	2,500	2,600	2,700	3,100	3,100	3,200	3,400	3,300	3,700	3,400	3,300	3,300	3,500	3,400						
105	2,200	2,300	2,400	2,800	2,800	2,800	3,100	3,000	3,500	3,200	3,000	3,000	3,200	3,200	3,200					
110	2,000	2,000	2,100	2,600	2,600	2,600	2,800	2,800	3,200	3,000	2,800	2,800	3,000	3,000	2,900	2,900				
115	1,800	1,800	1,800	2,300	2,300	2,300	2,600	2,500	3,000	2,700	2,500	2,500	2,700	2,700	2,700	2,700	2,700	2,700	2,500	2,500
120	1,500	1,500	1,600	2,100	2,000	2,000	2,400	2,300	2,500	2,500	2,300	2,300	2,500	2,500	2,500	2,500	2,500	2,500	2,300	2,300
125	1,400	1,400	1,400	1,900	1,800	1,800	2,200	2,100	2,200	2,200	2,100	2,100	2,300	2,300	2,300	2,300	2,300	2,300	2,100	2,100
130	1,200	1,200	1,200	1,700	1,600	1,600	2,000	1,900	2,000	2,000	1,900	1,900	2,100	2,100	2,100	2,100	2,100	2,100	1,900	1,900
135	1,100	1,100	1,100	1,500	1,400	1,400	1,800	1,700	1,800	1,800	1,700	1,700	1,900	1,900	1,900	1,900	1,900	1,900	1,800	1,800
140	1,100	1,100		1,300	1,300	1,300	1,600	1,500	1,700	1,700	1,500	1,500	1,700	1,700	1,700	1,700	1,700	1,700	1,600	1,600
145				1,200					1,500	1,400	1,300	1,300	1,400	1,400	1,400	1,400	1,400	1,400	1,300	1,300
150									1,400	1,400	1,200	1,200	1,400	1,400	1,400	1,400	1,400	1,400	1,300	1,300
155									1,300	1,300	1,200	1,200	1,300	1,300	1,300	1,300	1,300	1,300	1,200	1,200
160									1,200	1,200	1,200	1,200	1,300	1,300	1,300	1,300	1,300	1,300	1,200	1,200
165													1,200	1,200	1,200	1,200	1,200	1,200	1,200	1,200
170																				
Min.Bm. Ang./Cap.	0/1,100	0/1,100	0/1,100	37.0/0	43.5/0	43.5/0	44.5/0	50.0/0	52.0/0	50.0/0	56.5/0	58.5/0	56.5/0	62.0/0	66.0/0	62.0/0	66.0/0	66.0/0	66.0/0	66.0/0
Radius (ft)	141.9	141.3	138.4	150.0	145.0	145.0	160.0	170.0	155.0	155.0	160.0	160.0	170.0	160.0	165.0	175.0	165.0	165.0	165.0	157.5

Not for crane operations

Load Radius (ft)		109.0' Hydraulic Offset Fly																										
		41.4				54.6				68.7				96.3				124.7										
Offset In °		2-15			15-30			30-45			2-15			15-30			30-45			2-15			15-30			30-45		
25	13,900										12,000																	
30	13,100				12,500						10,700						10,300											
35	11,400				11,600						9,600						10,000											
40	10,000				10,300						8,600						8,800											
45	8,800				9,200						7,800						8,000											
50	7,800				8,200						7,000						7,400											
55	6,900				7,300						6,400						6,700											
60	6,200				6,600						5,800						6,200											
65	5,500				5,900						5,300						5,700											
70	4,900				5,400						4,800						5,200											
75	4,400				4,800						4,400						4,800											
80	3,900				4,400						4,000						4,400											
85	3,500				3,900						3,600						4,000											
90	3,100				3,600						3,300						3,600											
95	2,800				3,200						3,000						3,300											
100	2,500				2,900						2,700						3,000											
105	2,200				2,600						2,400						2,700											
110	2,000				2,300						2,100						2,400											
115	1,800				2,100						1,900						2,200											
120	1,500				1,800						1,600						1,900											
125	1,400				1,600						1,400						1,700											
130	1,200				1,500						1,300						1,600											
135	1,100				1,300						1,200						1,500											
140	1,100				1,200						1,100						1,400											
145																	1,200											
150																	1,200											
155																	1,200											
160																	1,200											
165																	1,200											
170																	1,200											
Min. Bm. Ang./Cap.	0/1,100	0/1,100	0/1,100	0/1,100	32.0/0	39.0/0	39.0/0	39.0/0	39.0/0	39.0/0	37.5/0	40.5/0	41.0/0	41.0/0	42.5/0	47.5/0	49.0/0	49.0/0	49.0/0	49.0/0	49.0/0	49.0/0	55.0/0	57.0/0	57.0/0	57.0/0	57.0/0	
Radius (ft)	141.9	141.3	138.4	145.0	140.0	140.0	140.0	140.0	140.0	140.0	150.0	150.0	150.0	150.0	165.0	160.0	160.0	160.0	160.0	160.0	160.0	175.0	165.0	165.0	165.0	165.0	165.0	



Full

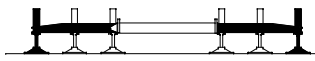
109.0' Hydraulic Offset Fly



2°-45°

Not for crane operations

**Rated Lifting Capacities  
In Pounds**



**Full**

**43,000 lb**

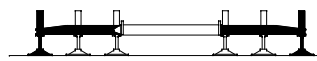


Load Radius (ft)	41.4 ft			55.0 ft			70.0 ft		
	$\Delta^\circ$	360°	Over Front	$\Delta^\circ$	360°	Over Front	$\Delta^\circ$	360°	Over Front
9	70.5	260,000	260,000						
10	69.0	240,600	240,600	74.5	77,300	77,300	77.5	51,000	51,000
12	66.0	218,000	218,000	72.5	77,300	77,300	76.5	51,000	51,000
15	61.0	190,700	190,700	69.0	77,300	77,300	74.0	51,000	51,000
20	52.0	145,500	145,500	63.0	77,300	77,300	69.5	51,000	51,000
25	41.5	114,400	114,400	57.0	77,300	77,300	65.0	51,000	51,000
30	27.5	93,200	93,200	50.0	77,300	77,300	60.0	51,000	51,000
35				42.0	77,300	77,300	55.0	49,600	49,600
40				32.5	65,800	66,400	50.0	45,100	45,100
45				18.0	53,600	54,100	44.0	41,400	41,400
50							37.0	38,200	38,200
55							28.5	35,100	35,100
60							15.5	32,300	32,300
Min.Bm. Ang./Cap.	0.0	63,500	63,500	0.0	26,500	26,500	0.0	13,900	13,900
Radius (ft)	32.8			46.5			61.5		

Load Radius (ft)	85.0 ft			100.0 ft			115.0 ft		
	$\Delta^\circ$	360°	Over Front	$\Delta^\circ$	360°	Over Front	$\Delta^\circ$	360°	Over Front
15	76.5	51,200	51,200						
20	73.5	51,200	51,200	76.0	47,900	47,900			
25	70.0	51,200	51,200	73.5	47,900	47,900	76.0	48,100	48,100
30	66.5	51,200	51,200	70.5	43,600	43,600	73.5	44,400	44,400
35	62.5	46,700	46,700	67.5	39,300	39,300	71.0	40,100	40,100
40	58.5	42,300	42,300	64.0	35,600	35,600	68.5	36,500	36,500
45	54.5	38,800	38,800	61.0	32,500	32,500	65.5	33,300	33,300
50	50.0	35,700	35,700	57.5	29,800	29,800	63.0	30,600	30,600
55	45.0	33,000	33,000	54.0	27,500	27,500	60.0	28,200	28,200
60	40.0	30,600	30,600	50.0	25,500	25,500	57.0	26,200	26,200
65	33.5	28,600	28,600	46.0	23,700	23,700	53.5	24,300	24,300
70	26.0	26,800	26,800	41.5	22,100	22,100	50.5	22,700	22,700
75	14.5	25,100	25,200	36.5	20,900	20,900	47.0	21,300	21,300
80				31.0	19,600	19,600	43.0	20,100	20,100
85				24.0	18,400	18,400	39.0	18,900	18,900
90				13.5	17,400	17,400	34.5	17,800	17,800
95							29.5	16,800	16,800
100							23.0	15,500	15,700
105							12.5	14,200	14,400
Min.Bm. Ang./Cap.	0.0	11,800	11,800	0.0	9,400	9,400	0.0	7,800	7,800
Radius (ft)	76.5			91.5			106.5		

Not for crane operations

**Rated Lifting Capacities  
In Pounds**



**Full**

**43,000 lb**

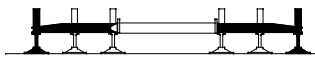


Load Radius (ft)	130.0 ft			145.0 ft		
	$\Delta$ °	360°	Over Front	$\Delta$ °	360°	Over Front
25	77.5	37,100	37,100			
30	75.5	37,100	37,100	77.5	32,800	32,800
35	73.5	36,000	36,000	75.5	32,800	32,800
40	71.5	32,700	32,700	74.0	32,800	32,800
45	69.0	29,800	29,800	72.0	31,500	31,500
50	66.5	27,300	27,300	70.0	28,900	28,900
55	64.0	25,200	25,200	68.0	26,700	26,700
60	61.5	23,300	23,300	65.5	24,700	24,700
65	59.0	21,600	21,600	63.5	22,900	22,900
70	56.0	20,300	20,300	61.0	21,300	21,300
75	53.5	18,900	18,900	59.0	20,000	20,000
80	50.5	17,700	17,700	56.5	18,800	18,800
85	47.5	16,600	16,600	54.0	17,600	17,600
90	44.0	15,600	15,600	51.0	16,500	16,500
95	40.5	14,600	14,600	48.5	15,500	15,500
100	37.0	13,800	13,800	45.5	14,600	14,600
105	32.5	13,000	13,000	42.5	13,500	13,700
110	27.5	12,300	12,300	39.0	12,300	12,500
115	21.5	11,600	11,600	35.5	11,200	11,400
120	12.0	10,800	11,000	31.5	10,300	10,400
125				26.5	9,400	9,500
130				21.0	8,600	8,700
135				12.0	7,900	8,000
Min. Bm. Ang./Cap.	0.0	6,000	6,000	0.0	4,600	4,600
Radius (ft)		121.5			136.5	

Load Radius (ft)	155.0 ft			162.0 ft		
	$\Delta$ °	360°	Over Front	$\Delta$ °	360°	Over Front
35	77.0	28,900	28,900	77.0	26,100	26,100
40	75.5	28,900	28,900	76.0	26,100	26,100
45	73.5	28,900	28,900	74.5	26,100	26,100
50	72.0	27,200	27,200	72.5	26,100	26,100
55	70.0	25,100	25,100	71.0	24,100	24,100
60	68.0	23,200	23,200	69.0	22,200	22,200
65	66.0	21,500	21,500	67.0	20,700	20,700
70	63.5	20,100	20,100	65.0	19,200	19,200
75	61.5	18,700	18,700	63.0	17,900	17,900
80	59.5	17,400	17,400	61.0	16,700	16,700
85	57.0	16,200	16,200	59.0	15,600	15,600
90	54.5	15,100	15,100	56.5	14,600	14,600
95	52.5	14,100	14,100	54.5	13,500	13,500
100	49.5	13,100	13,100	52.0	12,600	12,600
105	47.0	12,300	12,300	49.5	11,800	11,800
110	44.5	11,500	11,500	47.0	11,000	11,000
115	41.5	10,800	10,800	44.5	10,300	10,300
120	38.0	10,000	10,100	41.5	9,600	9,600
125	34.5	9,100	9,200	38.5	8,900	9,000
130	30.5	8,300	8,400	35.5	8,100	8,200
135	26.0	7,500	7,700	31.5	7,300	7,500
140	20.5	6,900	7,000	27.5	6,600	6,800
145	11.5	6,200	6,400	22.5	6,000	6,100
150				15.5	5,500	5,600
Min. Bm. Ang./Cap.	0.0	4,200	4,200	0.0	3,500	3,500
Radius (ft)		146.5			153.5	

Not for crane operations

**Rated Lifting Capacities  
In Pounds**



**Full**

**43,000 lb**

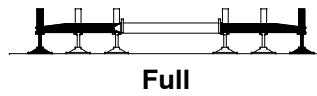


Load Radius (ft)	41.4 ft			55.0 ft			70.0 ft		
	$\Delta^\circ$	360°	Over Front	$\Delta^\circ$	360°	Over Front	$\Delta^\circ$	360°	Over Front
9	70.5	260,000	260,000						
10	69.0	240,600	240,600	74.5	77,300	77,300	78.0	67,800	67,800
12	66.0	218,000	218,000	72.5	77,300	77,300	76.5	67,800	67,800
15	61.0	190,700	190,700	69.0	77,300	77,300	74.0	67,800	67,800
20	52.0	145,500	145,500	63.0	77,300	77,300	69.5	67,800	67,800
25	41.5	114,400	114,400	57.0	77,300	77,300	65.0	66,900	66,900
30	27.5		93,200	50.0	77,300	77,300	60.5	59,800	59,800
35				42.0	77,300	77,300	55.5	54,000	54,000
40				32.5	65,800	66,400	50.0	49,300	49,300
45				18.0	53,600	54,100	44.0	45,300	45,300
50							37.0	42,000	42,000
55							28.5	39,200	39,200
60							16.0	35,100	35,400
Min.Bm. Ang./Cap.	0.0	63,500	63,500	0.0	26,500	26,500	0.0	15,300	15,300
Radius (ft)	32.8			46.5			61.5		

Load Radius (ft)	85.0 ft			100.0 ft			115.0 ft		
	$\Delta^\circ$	360°	Over Front	$\Delta^\circ$	360°	Over Front	$\Delta^\circ$	360°	Over Front
15	77.0	68,100	68,100						
20	74.0	66,100	66,100	76.5	60,000	60,000			
25	70.0	58,200	58,200	73.5	53,400	53,400	76.5	49,300	49,300
30	66.5	51,700	51,700	70.5	47,700	47,700	73.5	44,100	44,100
35	62.5	46,400	46,400	67.5	43,100	43,100	71.0	39,800	39,800
40	58.5	42,100	42,100	64.5	39,300	39,300	68.5	36,100	36,100
45	54.5	38,600	38,600	61.0	36,000	36,000	65.5	33,000	33,000
50	50.0	35,500	35,500	57.5	33,100	33,100	63.0	30,300	30,300
55	45.0	32,800	32,800	54.0	30,600	30,600	60.0	27,900	27,900
60	40.0	30,500	30,500	50.5	28,500	28,500	57.0	25,900	25,900
65	33.5	28,400	28,400	46.0	26,600	26,600	54.0	24,000	24,000
70	26.0	26,600	26,600	42.0	24,900	24,900	50.5	22,400	22,400
75	14.5	25,000	25,100	37.0	23,400	23,400	47.0	21,000	21,000
80				31.5	22,000	22,000	43.0	19,800	19,800
85				24.5	20,400	20,600	39.0	18,600	18,600
90				13.5	18,500	18,700	34.5	17,500	17,500
95							29.5	16,500	16,500
100							23.0	15,200	15,400
105							12.5	13,900	14,100
Min.Bm. Ang./Cap.	0.0	12,900	12,900	0.0	10,600	10,600	0.0	8,800	8,800
Radius (ft)	76.5			91.5			106.5		

Not for crane operations

**Rated Lifting Capacities  
In Pounds**



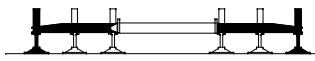
**43,000 lb**



Load Radius (ft)	130.0 ft			140.0 ft			150.0 ft		
	$\Delta$ °	360°	Over Front	$\Delta$ °	360°	Over Front	$\Delta$ °	360°	Over Front
25	78.0	45,100	45,100						
30	76.0	43,200	43,200	77.5	37,200	37,200	78.0	31,900	31,900
35	74.0	39,100	39,100	75.5	37,200	37,200	76.5	31,900	31,900
40	71.5	35,700	35,700	73.5	34,900	34,900	75.0	31,900	31,900
45	69.5	32,700	32,700	71.5	32,000	32,000	73.0	30,000	30,000
50	67.0	30,100	30,100	69.5	29,400	29,400	71.0	27,500	27,500
55	64.5	27,800	27,800	67.0	27,100	27,100	69.0	25,300	25,300
60	62.0	25,800	25,800	64.5	25,000	25,000	67.0	23,400	23,400
65	59.5	24,000	24,000	62.5	23,200	23,200	65.0	21,700	21,700
70	56.5	22,500	22,500	60.0	21,600	21,600	62.5	20,200	20,200
75	54.0	21,000	21,000	57.5	20,300	20,300	60.5	18,700	18,700
80	51.0	19,800	19,800	55.0	19,000	19,000	58.0	17,400	17,400
85	48.0	18,600	18,600	52.0	17,800	17,800	55.5	16,100	16,100
90	44.5	17,600	17,600	49.5	16,700	16,700	53.0	15,000	15,000
95	41.0	16,300	16,500	46.5	15,700	15,700	50.5	14,000	14,000
100	37.0	14,900	15,000	43.5	14,500	14,700	48.0	13,000	13,000
105	33.0	13,500	13,700	40.0	13,200	13,300	45.0	12,200	12,200
110	28.0	12,300	12,500	36.0	12,000	12,100	42.0	11,400	11,400
115	21.5	11,300	11,400	32.0	10,900	11,100	38.5	10,600	10,600
120	12.0	10,300	10,500	27.0	9,900	10,100	35.0	9,600	9,800
125				21.5	9,100	9,200	31.0	8,700	8,900
130				12.0	8,300	8,400	26.5	7,900	8,100
135							21.0	7,200	7,300
140							12.0	6,600	6,700
Min.Bm. Ang./Cap.	0.0	6,900	6,900	0.0	5,800	5,800	0.0	4,700	4,700
Radius (ft)		121.5			131.5			141.5	

Not for crane operations

**Rated Lifting Capacities  
In Pounds**



**Full**

**43,000 lb**

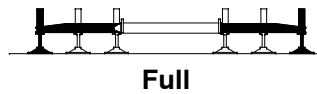


Load Radius (ft)	41.4 ft			55.0 ft			70.0 ft			85.0 ft		
	$\Delta$ °	360°	Over Front	$\Delta$ °	360°	Over Front	$\Delta$ °	360°	Over Front	$\Delta$ °	360°	Over Front
9	70.5	260,000	260,000									
10	69.0	240,600	240,600	74.5	73,800	73,800	78.0	68,700	68,700			
12	66.0	218,000	218,000	72.5	73,800	73,800	76.5	68,700	68,700			
15	61.0	190,700	190,700	69.0	73,800	73,800	74.0	68,700	68,700	77.0	69,100	69,100
20	52.0	145,500	145,500	63.0	73,800	73,800	70.0	68,700	68,700	74.0	69,100	69,100
25	41.5	114,400	114,400	57.0	73,800	73,800	65.5	68,700	68,700	70.5	69,100	69,100
30	27.5	93,200	93,200	50.0	73,800	73,800	60.5	68,700	68,700	66.5	69,100	69,100
35				42.0	73,800	73,800	55.5	68,700	68,700	63.0	65,300	65,300
40				32.5	65,700	66,300	50.0	67,300	67,900	59.0	59,300	59,300
45				18.0	53,600	54,100	44.0	55,200	55,700	54.5	54,100	54,100
50							37.0	46,400	46,800	50.0	46,400	46,800
55							28.5	39,500	39,900	45.0	39,700	40,000
60							15.5	34,200	34,600	39.5	34,400	34,700
65										33.5	30,100	30,400
70										26.0	26,500	26,800
75										14.0	23,500	23,800
Min.Bm. Ang./Cap.	0.0	63,500	63,500	0.0	26,900	26,900	0.0	21,900	21,900	0.0	17,900	17,900
Radius (ft)		32.8			46.5			61.5			76.5	

Load Radius (ft)	100.0 ft			115.0 ft			124.7 ft		
	$\Delta$ °	360°	Over Front	$\Delta$ °	360°	Over Front	$\Delta$ °	360°	Over Front
20	76.5	61,000	61,000						
25	73.5	59,400	59,400	76.5	55,300	55,300	78.0	51,000	51,000
30	70.5	52,800	52,800	74.0	49,400	49,400	75.5	45,400	45,400
35	67.5	47,500	47,500	71.5	44,400	44,400	73.5	40,600	40,600
40	64.5	43,000	43,000	68.5	40,200	40,200	71.0	36,500	36,500
45	61.0	39,400	39,400	66.0	36,700	36,700	68.5	32,900	32,900
50	57.5	36,200	36,200	63.0	33,600	33,600	66.0	29,900	29,900
55	54.0	33,400	33,400	60.5	30,900	30,900	63.0	27,200	27,200
60	50.0	31,000	31,000	57.5	28,600	28,600	60.5	24,900	24,900
65	46.0	28,800	28,800	54.0	26,500	26,500	57.5	22,900	22,900
70	41.5	26,400	26,700	51.0	24,600	24,600	55.0	21,100	21,100
75	36.5	23,400	23,700	47.5	22,900	23,000	52.0	19,500	19,500
80	31.0	20,900	21,100	43.5	20,400	20,600	48.5	18,100	18,100
85	24.0	18,700	18,900	39.5	18,200	18,400	45.0	16,700	16,700
90	13.0	16,900	17,100	34.5	16,400	16,600	41.5	15,500	15,500
95				29.5	14,700	14,900	37.5	14,400	14,400
100				23.0	13,200	13,400	33.5	13,000	13,200
105				12.5	11,900	12,100	28.0	11,700	11,900
110							22.0	10,500	10,700
115							11.5	9,400	9,600
Min.Bm. Ang./Cap.	0.0	14,100	14,100	0.0	11,000	11,000	0.0	9,200	9,200
Radius (ft)		91.5			106.5			116.2	

Not for crane operations

**Rated Lifting Capacities  
In Pounds**



**43,000 lb**



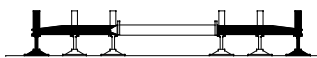
Load Radius (ft)	41.4 ft			55.0 ft			70.0 ft		
	$\angle$ °	360°	Over Front	$\angle$ °	360°	Over Front	$\angle$ °	360°	Over Front
9	70.5	260,000	260,000						
10	69.0	240,600	240,600	74.5	73,800	73,800	78.0	68,700	68,700
12	66.0	218,000	218,000	72.5	73,800	73,800	76.5	68,700	68,700
15	61.0	190,700	190,700	69.0	73,800	73,800	74.0	68,700	68,700
20	52.0	145,500	145,500	63.0	73,800	73,800	70.0	68,700	68,700
25	41.5	114,400	114,400	57.0	73,800	73,800	65.5	68,700	68,700
30	27.5	93,200	93,200	50.0	73,800	73,800	60.5	68,700	68,700
35				42.0	73,800	73,800	55.5	68,700	68,700
40				32.5	65,700	66,300	50.0	67,300	67,900
45				18.0	53,600	54,100	44.0	55,200	55,700
50							37.0	46,400	46,800
55							28.5	39,500	39,900
60							15.5	34,200	34,600
Min.Bm. Ang./Cap.	0.0	63,500	63,500	0.0	26,900	26,900	0.0	21,900	21,900
Radius (ft)		32.8			46.5			61.5	

Load Radius (ft)	85.0 ft			100.0 ft			112.0 ft		
	$\angle$ °	360°	Over Front	$\angle$ °	360°	Over Front	$\angle$ °	360°	Over Front
15	77.0	64,900	64,900						
20	74.0	64,900	64,900	76.5	65,200	65,200	78.5	56,400	56,400
25	70.5	64,900	64,900	74.0	65,200	65,200	76.0	55,500	55,500
30	66.5	64,900	64,900	71.0	63,900	63,900	73.5	48,900	48,900
35	63.0	64,900	64,900	68.0	57,100	57,100	70.5	43,400	43,400
40	59.0	64,900	64,900	64.5	51,300	51,300	68.0	39,000	39,000
45	54.5	55,000	55,500	61.5	46,500	46,500	65.0	35,200	35,200
50	50.0	46,300	46,700	58.0	42,400	42,400	62.0	31,900	31,900
55	45.0	39,600	39,900	54.5	38,700	39,000	59.0	29,100	29,100
60	39.5	34,400	34,700	50.5	33,600	33,900	56.0	26,600	26,600
65	33.5	30,000	30,300	46.0	29,300	29,700	52.5	24,400	24,400
70	26.0	26,400	26,700	41.5	25,800	26,100	49.0	22,500	22,500
75	14.0	23,500	23,700	37.0	22,900	23,100	45.5	20,900	20,900
80				31.0	20,300	20,600	41.5	19,300	19,300
85				24.0	18,100	18,400	37.0	17,800	17,900
90				13.0	16,300	16,500	32.0	16,000	16,200
95							26.0	14,300	14,500
100							18.0	12,800	13,000
Min.Bm. Ang./Cap.	0.0	17,900	17,900	0.0	14,000	14,000	0.0	11,300	11,300
Radius (ft)		76.5			91.5			103.5	

Not for crane operations



**Rated Lifting Capacities  
In Pounds**



**Full**

**43,000 lb**

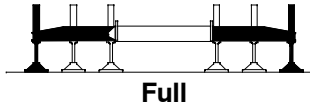


Load Radius (ft)	41.4 ft			55.5 ft		
	$\angle$ °	360°	Over Front	$\angle$ °	360°	Over Front
9	70.5	260,000	260,000			
10	69.0	240,600	240,600	74.5	157,000	157,000
12	66.0	218,000	218,000	72.5	157,000	157,000
15	61.0	190,700	190,700	69.5	157,000	157,000
20	52.0	145,500	145,500	63.5	148,100	148,100
25	41.5	114,400	114,400	57.5	117,100	117,100
30	27.5	93,200	93,200	50.5	95,900	95,900
35				43.0	80,600	80,600
40				33.5	64,600	65,200
45				20.0	52,500	53,000
Min.Bm. Ang./Cap.	0.0	63,500	63,500	0.0	44,100	44,100
Radius (ft)		32.8			47.0	

Load Radius (ft)	70.4 ft			86.2 ft		
	$\angle$ °	360°	Over Front	$\angle$ °	360°	Over Front
10	78.5	151,100	151,100			
12	77.0	150,200	150,200			
15	74.5	135,800	135,800	78.0	105,500	105,500
20	70.0	116,900	116,900	74.5	89,800	89,800
25	65.5	102,400	102,400	71.0	77,900	77,900
30	61.0	90,900	90,900	67.0	68,500	68,500
35	56.0	81,300	81,300	63.5	61,000	61,000
40	50.5	65,300	65,900	59.5	54,700	54,700
45	44.5	53,300	53,800	55.5	49,400	49,400
50	37.5	44,600	45,000	51.0	43,900	44,400
55	29.0	37,800	38,200	46.0	37,300	37,700
60	17.0	32,600	32,900	41.0	32,200	32,500
65				35.0	27,900	28,200
70				28.0	24,400	24,600
75				18.0	21,400	21,700
Min.Bm. Ang./Cap.	0.0	30,900	31,200	0.0	20,000	20,300
Radius (ft)		61.9			77.7	

**Not for crane operations**

**Rated Lifting Capacities  
In Pounds**



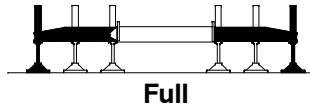
**43,000 lb**



Boom Length (ft)	41.4	55.0	70.0	85.0	100.0	115.0	130.0	145.0	155.0	162.0										
Load Radius (ft)	<p><b>10.0 ft Offset Fly</b></p>																			
10	51,800	51,800																		
12	47,300	51,800	48,600																	
15	46,400	46,800	48,600	48,600																
20	45,200	45,700	45,200	44,000	45,100															
25	44,600	44,800	44,500	43,400	41,200	38,300	28,900													
30	44,600	44,400	43,900	43,000	39,200	38,300	28,900	25,600	22,400											
35	44,600	44,300	41,300	41,300	35,200	36,400	28,900	25,600	22,400											
40	44,600	44,300	37,400	37,400	32,200	33,200	28,900	25,600	22,400	20,000										
45		44,300	34,400	34,400	29,300	30,300	27,300	25,600	22,400	20,000										
50		42,900	31,600	31,600	26,800	27,800	24,900	25,600	22,400	20,000										
55		40,000	29,300	29,100	24,700	25,600	22,900	24,200	22,400	20,000										
60			27,200	27,000	22,900	23,700	21,100	22,500	21,200	20,000										
65			25,500	25,100	21,200	22,000	19,500	20,900	19,600	18,700										
70			24,000	23,500	19,800	20,400	18,100	19,400	18,100	17,000										
75				22,000	18,500	19,100	17,100	18,100	17,100	16,300										
80				20,700	17,300	17,900	15,900	17,100	15,900	15,100										
85				19,600	16,400	17,000	14,900	16,000	14,800	14,100										
90					15,500	16,000	13,900	14,900	13,800	13,100										
95					14,600	15,000	13,100	14,000	12,900	12,200										
100					13,800	14,200	12,300	13,100	12,000	11,400										
105						13,400	11,500	12,400	11,200	10,600										
110						12,700	10,900	11,600	10,400	9,900										
115						11,800	10,200	10,800	9,700	9,200										
120							9,700	9,900	9,000	8,500										
125							9,100	9,000	8,400	7,900										
130							8,700	8,200	7,800	7,400										
135								7,500	7,100	6,800										
140								6,800	6,400	6,200										
145								6,200	5,800	5,600										
150									5,200	5,000										
155									4,700	4,500										
160										3,900										
Min.Bm. Ang./Cap.	0	34,200	0	18,300	0	10,600	0	9,000	0	7,300	0	6,000	0	4,600	0	3,400	0	2,600	0	1,900
Radius (ft)	42.8	56.5	71.5	86.5	101.5	116.5	131.5	146.5	156.5	163.5										

Not for crane operations

**Rated Lifting Capacities  
In Pounds**



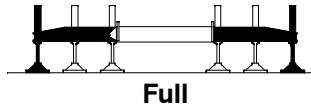
**43,000 lb**



Boom Length (ft)	41.4	55.0	70.0	85.0	100.0	115.0	130.0	140.0	150.0
Load Radius (ft)	<p><b>10.0 ft Offset Fly</b> Offset 2°, 15°, 30°, 45°</p>								
10	51,800	51,800							
12	47,300	51,800	51,800						
15	46,400	46,800	51,500	51,800					
20	45,200	45,700	45,400	44,400	48,000				
25	44,600	44,800	44,700	43,700	42,400	41,600	36,300		
30	44,600	44,400	44,100	43,200	41,800	40,000	36,300	29,900	25,400
35	44,600	44,300	43,600	40,800	37,800	36,100	34,100	29,900	25,400
40	44,600	44,300	39,700	37,000	34,500	33,000	32,200	29,900	25,400
45		44,300	36,400	34,100	31,700	30,100	29,500	29,500	25,400
50		42,900	33,800	31,300	29,200	27,600	27,100	27,100	25,400
55		40,000	31,400	28,900	27,000	25,400	25,100	24,900	23,300
60			29,300	26,800	25,100	23,500	23,200	23,000	21,500
65			27,500	25,000	23,400	21,700	21,600	21,300	19,800
70			26,100	23,300	21,900	20,200	20,100	19,700	18,400
75				21,900	20,500	18,900	18,800	18,400	17,200
80				20,600	19,300	17,600	17,600	17,200	16,000
85				19,500	18,300	16,800	16,700	16,200	14,900
90					17,300	15,700	15,700	15,200	13,900
95					16,500	14,800	14,800	14,200	12,900
100					15,400	14,000	13,900	13,300	12,000
105						13,200	13,200	12,500	11,100
110						12,500	12,000	11,600	10,300
115						11,500	11,000	10,600	9,600
120							10,000	9,600	9,000
125							9,100	8,700	8,300
130							8,400	7,900	7,600
135								7,200	6,800
140								6,500	6,200
145									5,500
150									5,000
Min.Bm. Ang./Cap.	0 34,200	0 18,300	0 11,500	0 9,800	0 8,100	0 6,600	0 5,100	0 4,200	0 3,300
Radius (ft)	42.8	56.5	71.5	86.5	101.5	116.5	131.5	141.5	151.5

**Not for crane operations**

**Rated Lifting Capacities  
In Pounds**

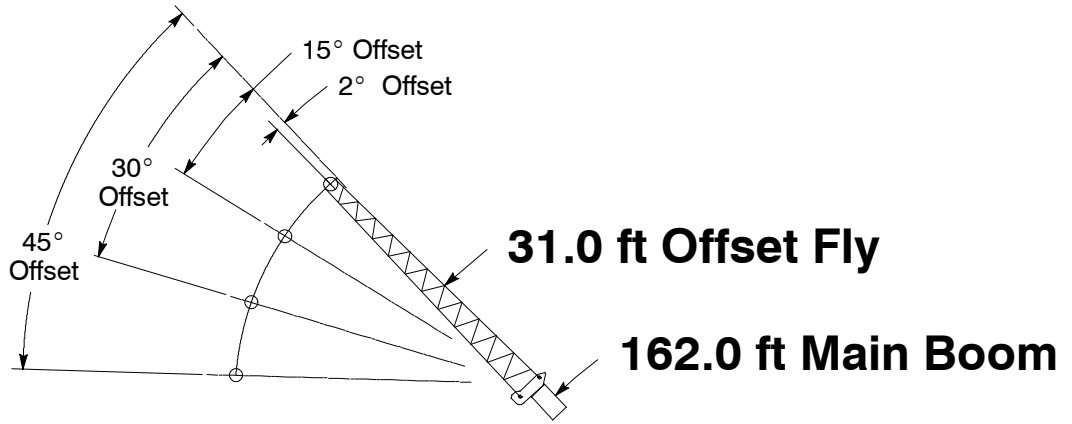


**43,000 lb**

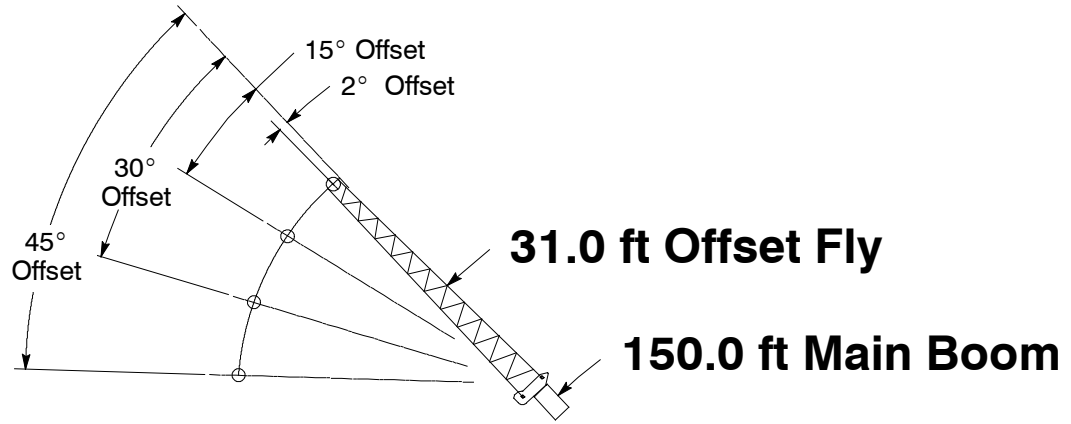


Boom Length (ft)	41.4	55.0	70.0	85.0	100.0	115.0	124.7							
Load Radius (ft)	<p><b>10.0 ft Offset Fly</b> Offset 2°, 15°, 30°, 45°</p>													
10	51,800	51,800												
12	47,300	51,800	51,800											
15	46,400	46,800	51,800	51,800										
20	45,200	45,700	46,000	45,800	51,800									
25	44,600	44,900	45,100	45,000	44,300	50,700	43,400							
30	44,600	44,400	44,500	44,400	43,800	42,800	41,600							
35	44,600	44,300	44,100	44,000	41,300	40,100	37,300							
40	44,600	44,300	44,000	43,700	37,500	36,400	34,000							
45		44,300	44,000	43,500	34,500	33,400	31,000							
50		43,600	44,000	43,500	31,800	30,600	28,300							
55		40,000	40,400	40,000	29,400	28,200	25,700							
60			35,100	34,700	27,300	26,000	23,500							
65			30,900	30,500	25,400	24,100	21,500							
70			27,300	26,900	23,700	22,400	19,800							
75				24,000	22,200	20,900	18,200							
80				21,500	20,900	19,500	17,000							
85				19,300	18,800	18,100	15,700							
90					17,100	16,400	14,600							
95					15,400	14,700	13,500							
100					13,900	13,200	12,500							
105						11,900	11,600							
110						10,800	10,400							
115						9,700	9,400							
120							8,400							
125							7,600							
Min.Bm. Ang./Cap.	0	34,200	0	18,500	0	15,800	0	12,900	0	10,300	0	8,100	0	6,700
Radius (ft)	42.8		56.5		71.5		86.5		101.5		116.5		126.2	

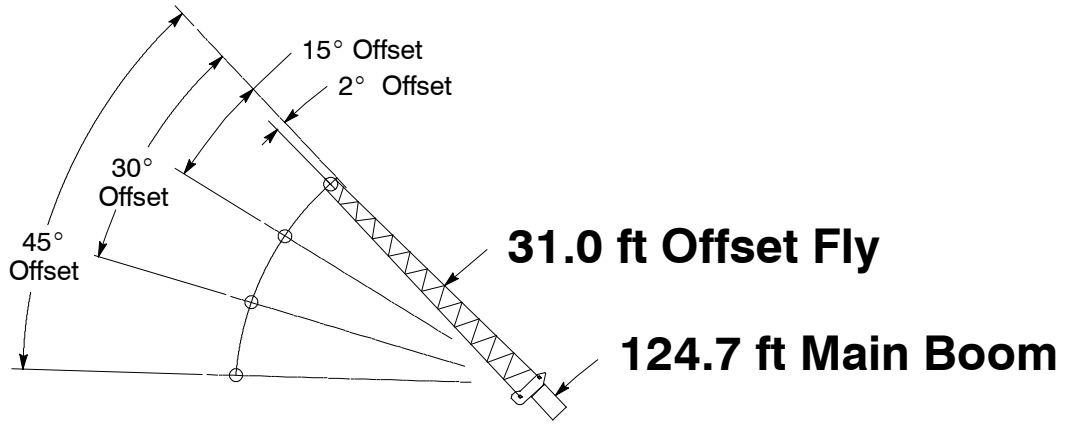
**Not for crane operations**



Load Radius (ft)		2° Offset		15° Offset		30° Offset		45° Offset	
		∠ °	360°	∠ °	360°	∠ °	360°	∠ °	360°
35		79.0	14,600						
40		78.0	14,600						
45		77.0	14,600	79.0	14,600				
50		75.5	14,600	78.0	14,600				
55		74.5	14,600	76.5	14,600	78.5	14,300		
60		73.0	14,600	75.5	14,600	77.5	14,100	79.0	13,200
65		72.0	14,600	74.0	14,600	76.0	14,000	77.5	13,100
70		70.5	14,600	73.0	14,600	74.5	13,800	76.5	13,100
75		69.5	14,600	71.5	14,600	73.5	13,700	75.0	13,000
80		67.5	14,200	70.0	14,400	72.0	13,600	73.5	12,900
85		66.0	13,200	68.5	13,400	70.5	13,500	72.0	12,800
90		64.5	12,300	66.5	12,500	68.5	12,800	70.5	12,800
95		62.5	11,500	65.0	11,700	67.0	11,900	68.5	12,100
100		61.0	10,700	63.0	10,900	65.0	11,100	66.5	11,300
105		59.0	10,000	61.0	10,200	63.5	10,400	65.0	10,600
110		57.0	9,400	59.5	9,600	61.5	9,800	63.0	9,900
115		55.5	8,800	57.5	8,900	59.5	9,100	60.5	9,300
120		53.5	8,200	55.5	8,400	57.5	8,600	58.5	8,700
125		51.5	7,700	53.5	7,800	55.5	8,000	56.5	8,100
130		49.0	7,200	51.5	7,300	53.0	7,500	54.0	7,600
135		47.0	6,700	49.0	6,900	51.0	7,000	52.0	7,100
140		44.5	6,300	47.0	6,400	48.5	6,600	49.5	6,700
145		42.5	5,800	44.5	6,000	46.0	6,100	46.5	6,200
150		39.5	5,300	42.0	5,500	43.5	5,700		
155		37.0	4,700	39.0	5,000	40.5	5,100		
160		34.0	4,200	36.0	4,400	37.5	4,600		
165		30.5	3,800	32.5	4,000	34.0	4,100		
170		27.0	3,400	29.0	3,500	30.0	3,600		
175		23.0	3,000	24.5	3,100				
180		17.0	2,600	19.0	2,700				
Min.Bm. Ang./Cap.		6.0		5.5		5.0		0.0	1,200
Radius (ft)		184.0		183.7		182.0		176.3	
Maximum Boom Length At 0° Boom Angle (ft)		160							

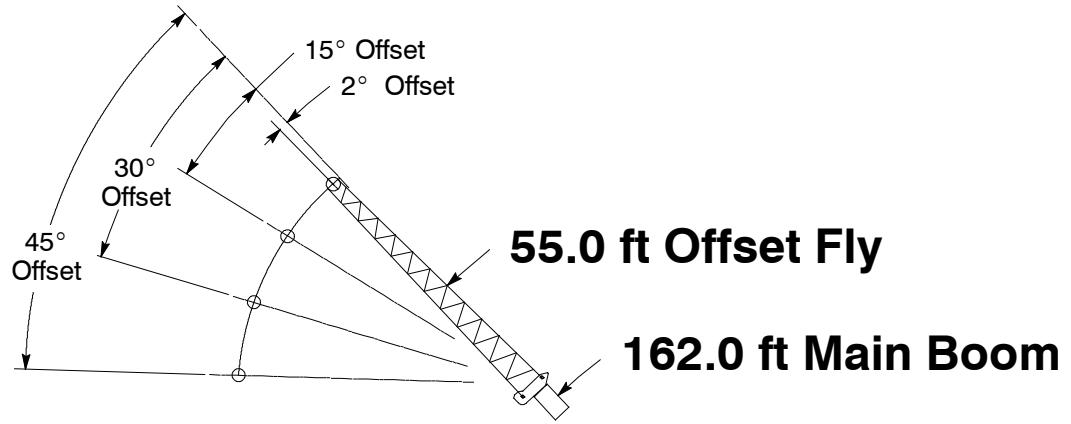


Rated Lifting Capacities In Pounds		2° Offset		15° Offset		30° Offset		45° Offset	
		$\Delta^\circ$	360°	$\Delta^\circ$	360°	$\Delta^\circ$	360°	$\Delta^\circ$	360°
35	79.0	17,600							
40	77.5	17,600							
45	76.0	17,600	78.5	17,300					
50	75.0	17,600	77.0	17,000	79.0	15,300			
55	73.5	17,600	75.5	16,700	77.5	15,000	79.5	13,900	
60	72.0	17,600	74.0	16,400	76.5	14,800	78.0	13,700	
65	71.0	17,600	72.5	16,200	74.5	14,600	76.5	13,600	
70	69.0	17,300	71.0	15,900	73.0	14,400	75.0	13,500	
75	67.5	16,100	69.5	15,700	71.5	14,300	73.5	13,400	
80	65.5	15,000	68.0	15,100	70.0	14,100	71.5	13,300	
85	64.0	14,000	66.0	14,100	68.5	13,900	70.0	13,200	
90	62.0	13,000	64.5	13,200	66.5	13,400	68.0	13,200	
95	60.0	12,200	62.5	12,400	64.5	12,600	66.5	12,800	
100	58.0	11,400	60.5	11,600	62.5	11,800	64.0	12,000	
105	56.0	10,700	58.5	10,900	60.5	11,000	62.0	11,200	
110	54.0	10,000	56.5	10,200	58.5	10,400	60.0	10,500	
115	52.0	9,400	54.0	9,600	56.5	9,700	57.5	9,900	
120	50.0	8,800	52.0	9,000	54.0	9,100	55.0	9,300	
125	47.5	8,200	49.5	8,400	51.5	8,600	52.5	8,700	
130	45.0	7,700	47.5	7,900	49.0	8,100	50.0	8,200	
135	42.5	7,200	44.5	7,400	46.5	7,500	47.5	7,600	
140	39.5	6,600	42.0	6,800	43.5	7,000			
145	37.0	5,900	39.0	6,200	40.5	6,400			
150	33.5	5,400	35.5	5,600	37.0	5,700			
155	30.0	4,800	32.0	5,000	33.5	5,100			
160	26.0	4,300	28.0	4,500					
165	21.0	3,900	23.0	4,000					
170	14.5	3,500	16.0	3,500					
Min.Bm. Ang./Cap.	0.0	2,000	0.0	2,000	0.0	2,100	0.0	2,300	
Radius (ft)		172.5		172.1		170.1		166.4	

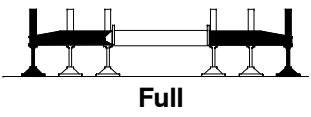


Rated Lifting Capacities In Pounds		Full		43,000 lb		EM 3		
		2° Offset		15° Offset		30° Offset		45° Offset
Load Radius (ft)	∠ °	360°	∠ °	360°	∠ °	360°	∠ °	360°
	30	78.5	28,100					
35	77.0	27,000	79.0	20,400				
40	75.5	26,000	77.5	20,400				
45	73.5	24,900	75.5	19,300	78.0	16,600		
50	72.0	24,000	74.0	18,700	76.0	16,300	78.5	14,700
55	70.0	23,100	72.0	18,200	74.5	15,900	76.5	14,500
60	68.0	20,400	70.0	17,700	72.5	15,600	74.5	14,300
65	66.0	19,800	68.0	17,300	70.5	15,300	72.5	14,100
70	64.0	19,200	66.0	16,900	68.5	15,000	70.5	14,000
75	62.0	17,800	64.0	16,500	66.5	14,800	68.5	13,800
80	59.5	16,500	62.0	16,100	64.5	14,600	66.0	13,700
85	57.5	15,300	60.0	15,600	62.5	14,400	64.0	13,700
90	55.0	14,200	57.5	14,500	60.0	14,200	61.5	13,600
95	52.5	13,200	55.0	13,500	57.5	13,800	59.0	13,600
100	50.0	12,300	52.5	12,600	55.0	12,800	56.5	13,000
105	47.5	11,500	50.0	11,700	52.5	12,000	53.5	12,100
110	44.5	10,700	47.0	10,900	49.5	11,100	50.5	11,300
115	41.5	10,000	44.5	10,200	46.5	10,400	47.5	10,500
120	38.5	9,200	41.0	9,500	43.0	9,700		
125	35.0	8,300	37.5	8,600	39.5	8,800		
130	31.5	7,500	33.5	7,800	35.5	7,900		
135	27.0	6,800	29.5	7,000	30.5	7,100		
140	21.5	6,200	24.0	6,300				
145	14.0	5,600	15.5	5,600				
Min.Bm. Ang./Cap.	0.0	4,200	0.0	4,300	0.0	4,500	0.0	4,900
Radius (ft)		147.2		146.9		144.9		141.4

Not for crane operations



Rated Lifting Capacities In Pounds		2° Offset		15° Offset		30° Offset		45° Offset	
		$\Delta$ °	360°	$\Delta$ °	360°	$\Delta$ °	360°	$\Delta$ °	360°
40	79.5	10,600							
45	78.5	10,600							
50	77.5	10,600							
55	76.5	10,600							
60	75.5	10,600	78.5	9,700					
65	74.5	10,600	77.5	9,500					
70	73.5	10,500	76.5	9,400	79.5	8,300			
75	72.0	10,300	75.0	9,200	78.5	8,200			
80	71.0	10,200	74.0	9,000	77.0	8,100			
85	69.5	10,000	72.5	8,900	76.0	8,000	78.5	7,300	
90	68.5	9,800	71.5	8,700	74.5	7,800	77.0	7,300	
95	67.0	9,600	70.0	8,600	73.5	7,700	76.0	7,200	
100	66.0	9,500	69.0	8,500	72.0	7,600	74.5	7,100	
105	64.5	9,200	67.5	8,300	70.5	7,600	73.0	7,100	
110	63.0	8,600	66.0	8,200	69.0	7,500	71.5	7,100	
115	61.5	8,000	65.0	8,100	67.5	7,400	70.0	7,000	
120	60.0	7,500	63.5	7,800	66.5	7,300	68.5	7,000	
125	58.0	7,000	61.5	7,300	65.0	7,300	67.0	7,000	
130	56.5	6,600	60.0	6,800	63.0	7,000	65.5	6,900	
135	54.5	6,100	58.0	6,300	61.5	6,600	63.5	6,800	
140	53.0	5,700	56.5	5,900	59.5	6,100	61.5	6,300	
145	51.0	5,300	54.5	5,500	57.5	5,700	59.5	5,900	
150	49.0	5,000	52.5	5,200	55.5	5,400	57.5	5,500	
155	47.5	4,600	50.5	4,800	53.5	5,000	55.0	5,100	
160	45.0	4,300	48.5	4,500	51.0	4,700	52.5	4,800	
165	43.0	4,000	46.5	4,200	49.0	4,300	50.0	4,400	
170	41.0	3,800	44.0	3,900	46.5	4,000	47.5	4,100	
175	38.5	3,500	41.5	3,600	44.0	3,700			
180	36.0	3,100	39.0	3,400	41.0	3,500			
185	33.0	2,800	36.0	3,000	38.0	3,200			
190	30.0	2,400	33.0	2,600	34.5	2,800			
195	26.5	2,100	29.5	2,300	30.5	2,400			
200	22.5	1,800	25.0	2,000					
205	17.5	1,600	19.5	1,600					
Min. Bm. Ang./Cap.	16.0		17.0		19.0		18.5		
Radius (ft)	206.1		205.7		200.9		192.4		
Maximum Boom Length At 0° Boom Angle (ft)					140				

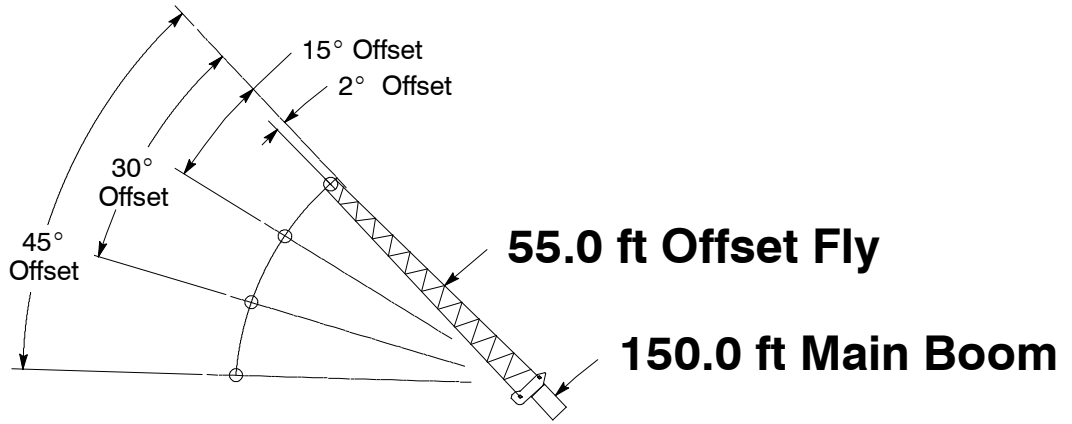


43,000 lb



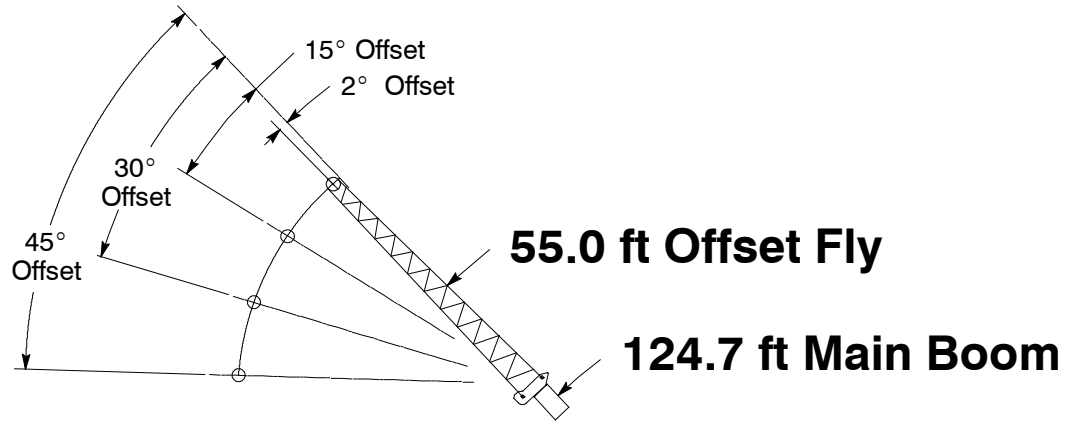
Not for crane operations



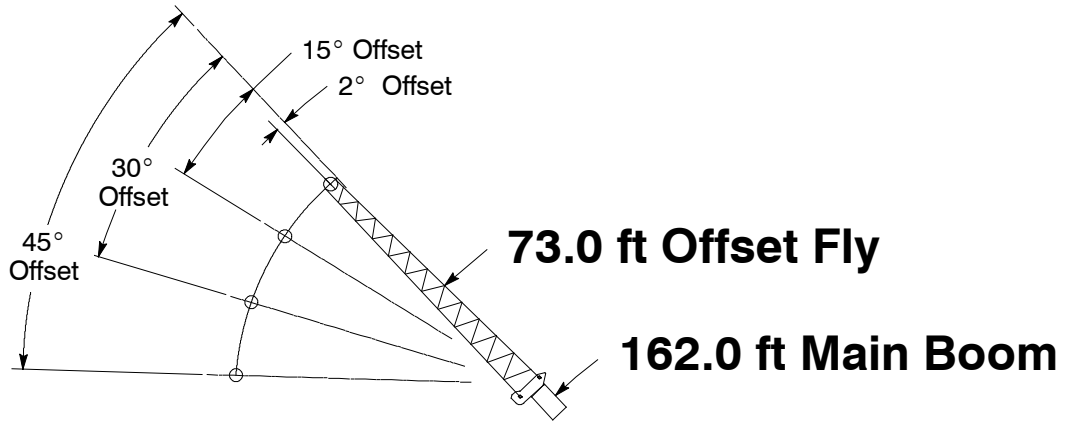


Load Radius (ft)		2° Offset		15° Offset		30° Offset		45° Offset	
		$\Delta$ °	360°	$\Delta$ °	360°	$\Delta$ °	360°	$\Delta$ °	360°
40		79.5	12,700						
45		78.0	12,500						
50		77.0	12,200						
55		76.0	12,000	79.0	10,500				
60		74.5	11,700	78.0	10,300				
65		73.5	11,500	76.5	10,000				
70		72.0	11,200	75.5	9,800	79.0	8,600		
75		71.0	11,000	74.0	9,600	77.5	8,400		
80		69.5	10,700	72.5	9,400	76.0	8,300	79.0	7,600
85		68.0	10,500	71.5	9,200	74.5	8,200	77.5	7,500
90		66.5	10,200	70.0	9,000	73.0	8,000	76.0	7,400
95		65.5	10,000	68.5	8,900	71.5	7,900	74.5	7,400
100		64.0	9,800	67.0	8,700	70.0	7,800	73.0	7,300
105		62.5	9,600	65.5	8,500	68.5	7,700	71.5	7,200
110		61.0	9,200	64.0	8,400	67.0	7,600	69.5	7,200
115		59.0	8,600	62.5	8,200	65.5	7,500	68.0	7,200
120		57.5	8,100	61.0	8,100	64.0	7,500	66.0	7,100
125		55.5	7,600	59.0	7,800	62.0	7,400	64.5	7,100
130		53.5	7,100	57.0	7,300	60.5	7,300	62.5	7,000
135		51.5	6,700	55.0	6,900	58.5	7,100	60.5	7,000
140		49.5	6,300	53.0	6,400	56.5	6,600	58.5	6,800
145		47.5	5,900	51.0	6,100	54.0	6,200	56.0	6,400
150		45.5	5,500	49.0	5,700	52.0	5,800	53.5	6,000
155		43.5	5,200	46.5	5,300	49.5	5,500	51.0	5,600
160		41.0	4,800	44.0	5,000	47.0	5,100	48.0	5,200
165		38.5	4,500	41.5	4,700	44.0	4,800	45.0	4,900
170		35.5	4,100	39.0	4,400	41.5	4,500		
175		32.5	3,700	36.0	3,900	38.0	4,100		
180		29.5	3,300	32.5	3,500	34.0	3,600		
185		25.5	2,900	28.5	3,100				
190		21.0	2,600	23.5	2,700				
195		13.5	2,300	15.0	2,300				
Min.Bm. Ang./Cap.		9.5		9.0		9.0		0.0	1,200
Radius (ft)		196.3		195.1		190.1		186.1	
Maximum Boom Length At 0° Boom Angle (ft)		146							

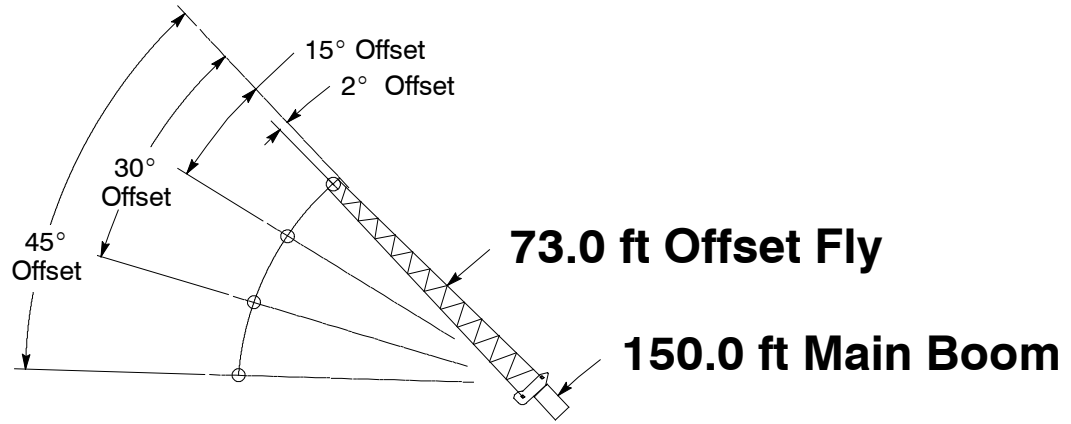
Not for crane operations



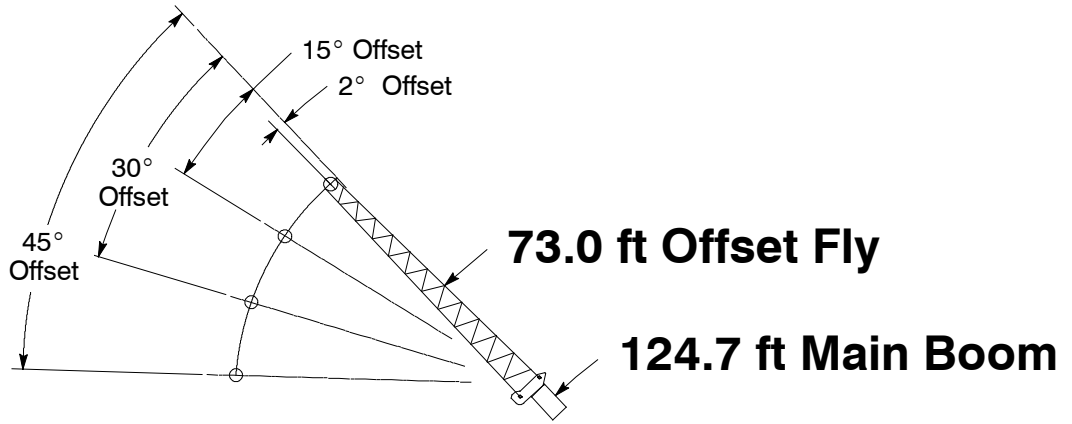
Rated Lifting Capacities In Pounds		Full		43,000 lb		EM 3		
		2° Offset		15° Offset		30° Offset		45° Offset
Load Radius (ft)	∠ °		∠ °		∠ °		∠ °	
	360°	360°	360°	360°	360°	360°	360°	360°
35	78.5	15,300						
40	77.5	14,800						
45	76.0	14,300	79.5	12,000				
50	74.5	13,800	78.0	11,600				
55	73.0	13,300	76.5	11,200				
60	71.5	12,800	75.0	10,900	79.0	9,300		
65	69.5	12,400	73.5	10,500	77.5	9,100		
70	68.0	12,000	72.0	10,200	76.0	8,900	79.0	8,000
75	66.5	11,600	70.0	9,900	74.0	8,700	77.5	7,800
80	65.0	11,200	68.5	9,700	72.5	8,500	75.5	7,700
85	63.0	10,800	67.0	9,400	70.5	8,300	74.0	7,600
90	61.5	10,500	65.0	9,200	69.0	8,200	72.0	7,600
95	59.5	10,200	63.0	9,000	67.0	8,000	70.0	7,500
100	57.5	9,900	61.5	8,800	65.0	7,900	68.0	7,400
105	55.5	9,600	59.5	8,600	63.0	7,800	66.0	7,400
110	54.0	9,300	57.5	8,400	61.0	7,700	63.5	7,300
115	51.5	9,100	55.5	8,200	59.0	7,600	61.5	7,300
120	49.5	8,800	53.5	8,100	56.5	7,500	59.0	7,200
125	47.5	8,400	51.0	7,900	54.5	7,500	56.5	7,200
130	45.0	7,900	48.5	7,800	52.0	7,400	54.0	7,200
135	42.5	7,400	46.5	7,600	49.5	7,300	51.0	7,200
140	39.5	6,900	43.5	7,100	46.5	7,300	48.0	7,200
145	36.5	6,400	40.5	6,700	43.5	6,900		
150	33.5	5,900	37.0	6,200	40.0	6,400		
155	30.0	5,300	33.5	5,600	35.5	5,800		
160	25.5	4,800	29.0	5,100	30.5	5,200		
165	20.5	4,400	24.0	4,500				
170	12.5	4,000						
Min.Bm. Ang./Cap.	0.0	2,500	0.0	2,600	0.0	2,800	0.0	3,200
Radius (ft)	171.2		170.5		167.2		161.4	



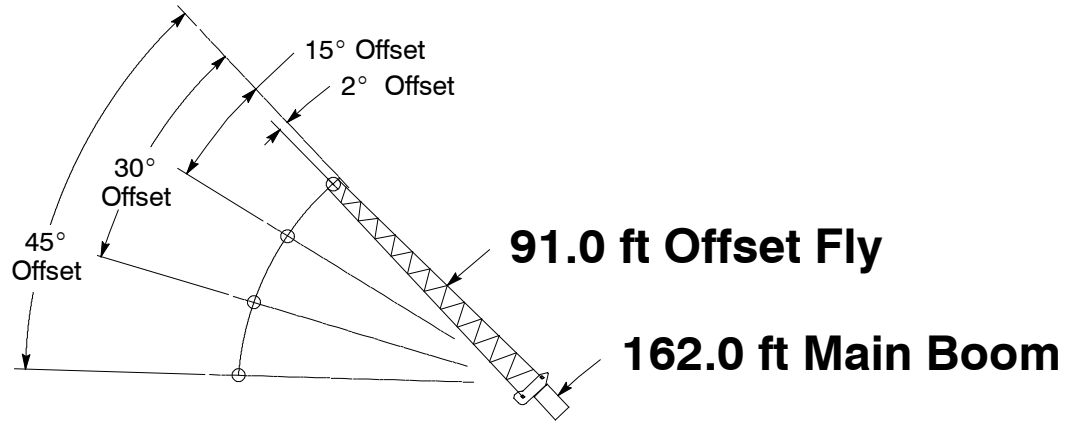
Load Radius (ft)		2° Offset		15° Offset		30° Offset		45° Offset	
		$\Delta$ °	360°	$\Delta$ °	360°	$\Delta$ °	360°	$\Delta$ °	360°
55		79.0	8,500						
60		78.0	8,500						
65		77.0	8,500						
70		76.0	8,500	79.0	8,500				
75		75.0	8,500	78.0	8,500				
80		74.0	8,500	77.0	8,500				
85		73.0	8,500	76.0	8,400	79.0	7,600		
90		72.0	8,500	74.5	8,300	77.5	7,500		
95		71.0	8,500	73.5	8,200	76.5	7,500	79.0	6,800
100		70.0	8,500	72.5	8,100	75.5	7,400	78.0	6,600
105		69.0	8,500	71.5	8,000	74.0	7,100	76.5	6,400
110		67.5	8,000	70.0	7,900	73.0	6,900	75.0	6,300
115		66.0	7,400	69.0	7,700	71.5	6,700	74.0	6,100
120		64.5	6,900	67.5	7,100	70.0	6,500	72.5	6,000
125		63.0	6,400	66.0	6,600	69.0	6,300	71.0	5,800
130		61.5	6,000	64.5	6,200	67.5	6,200	69.5	5,700
135		60.0	5,500	63.0	5,800	66.0	6,000	68.0	5,600
140		58.5	5,100	61.5	5,400	64.5	5,600	66.5	5,500
145		57.0	4,800	59.5	5,000	63.0	5,200	65.0	5,400
150		55.5	4,400	58.0	4,600	61.0	4,800	63.5	5,000
155		53.5	4,100	56.5	4,300	59.5	4,500	61.5	4,700
160		52.0	3,700	54.5	3,900	57.5	4,100	59.5	4,300
165		50.0	3,400	53.0	3,600	55.5	3,800	57.5	4,000
170		48.5	3,200	51.0	3,300	53.5	3,500	55.5	3,700
175		46.5	2,900	49.0	3,000	51.5	3,200	53.5	3,300
180		44.5	2,600	47.0	2,800	49.5	2,900	51.0	3,000
185		42.5	2,400	45.0	2,500	47.5	2,700	48.5	2,800
190		40.0	2,100	42.5	2,300	45.0	2,400	46.0	2,500
195		38.0	1,800	40.5	2,000	42.5	2,200		
200		35.5	1,500	38.0	1,700	40.0	1,900		
205		33.0	1,200	35.0	1,400	37.0	1,500		
210						33.5	1,200		
Min.Bm. Ang./Cap.		32.0		32.0		32.0		32.0	
Radius (ft)		206.7		210.0		211.7		210.0	
Maximum Boom Length At 0° Boom Angle (ft)						143			



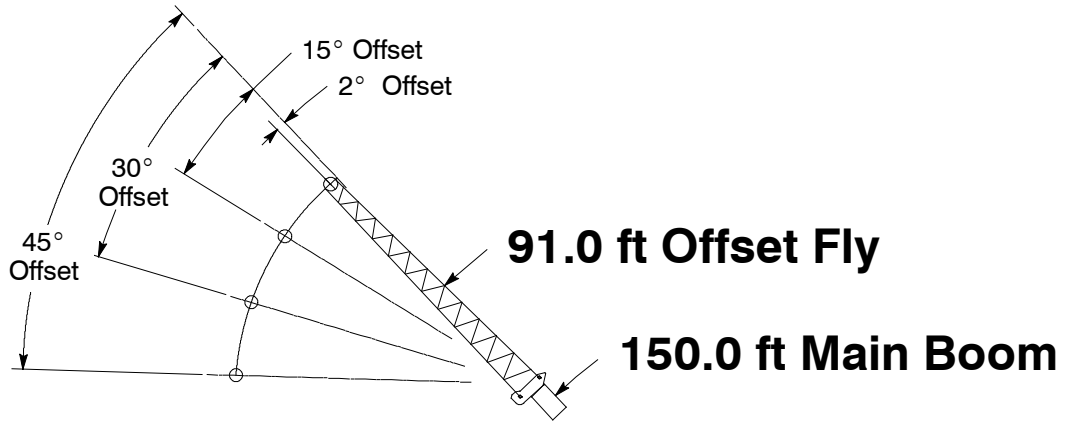
Load Radius (ft)		2° Offset		15° Offset		30° Offset		45° Offset	
		$\Delta^\circ$	360°	$\Delta^\circ$	360°	$\Delta^\circ$	360°	$\Delta^\circ$	360°
50		79.5	10,100						
55		78.5	10,100						
60		77.0	10,100						
65		76.0	10,100	79.0	9,400				
70		75.0	10,100	77.5	9,300				
75		74.0	10,000	76.5	9,100				
80		73.0	9,800	75.5	9,000	78.5	8,100		
85		71.5	9,700	74.0	8,900	77.5	7,900		
90		70.5	9,600	73.0	8,700	76.0	7,800	79.0	7,100
95		69.5	9,400	72.0	8,600	75.0	7,700	77.5	6,900
100		68.0	9,300	70.5	8,500	73.5	7,400	76.0	6,700
105		67.0	9,100	69.0	8,200	72.0	7,200	74.5	6,500
110		65.5	8,600	68.0	7,900	70.5	6,900	73.0	6,300
115		64.0	8,000	66.5	7,700	69.5	6,700	71.5	6,200
120		62.0	7,500	65.0	7,400	68.0	6,500	70.0	6,000
125		60.5	7,000	63.5	7,200	66.5	6,400	68.5	5,900
130		59.0	6,500	62.0	6,700	64.5	6,200	67.0	5,800
135		57.5	6,100	60.0	6,300	63.0	6,000	65.5	5,600
140		55.5	5,700	58.5	5,900	61.5	5,900	63.5	5,500
145		54.0	5,300	56.5	5,500	60.0	5,700	62.0	5,400
150		52.0	4,900	55.0	5,100	58.0	5,300	60.0	5,400
155		50.0	4,600	53.0	4,800	56.0	5,000	58.0	5,100
160		48.5	4,300	51.0	4,400	54.0	4,600	56.0	4,800
165		46.5	4,000	49.0	4,100	52.0	4,300	53.5	4,400
170		44.0	3,700	47.0	3,800	49.5	4,000	51.0	4,100
175		42.0	3,400	44.5	3,600	47.5	3,700	48.5	3,800
180		39.5	3,000	42.5	3,300	45.0	3,400	46.0	3,500
185		37.0	2,700	40.0	2,900	42.0	3,100	43.0	3,200
190		34.5	2,300	37.0	2,500	39.0	2,700		
195		31.5	2,000	34.0	2,200	36.0	2,300		
200		28.5	1,700	30.5	1,900	32.0	1,900		
205		24.5	1,400	27.0	1,500				
210		19.5	1,200	21.5	1,200				
Min. Bm. Ang./Cap.		14.0		15.0		8.0		0.0	1,200
Radius (ft)		212.2		211.8		209.0		203.3	
Maximum Boom Length At 0° Boom Angle (ft)						139			



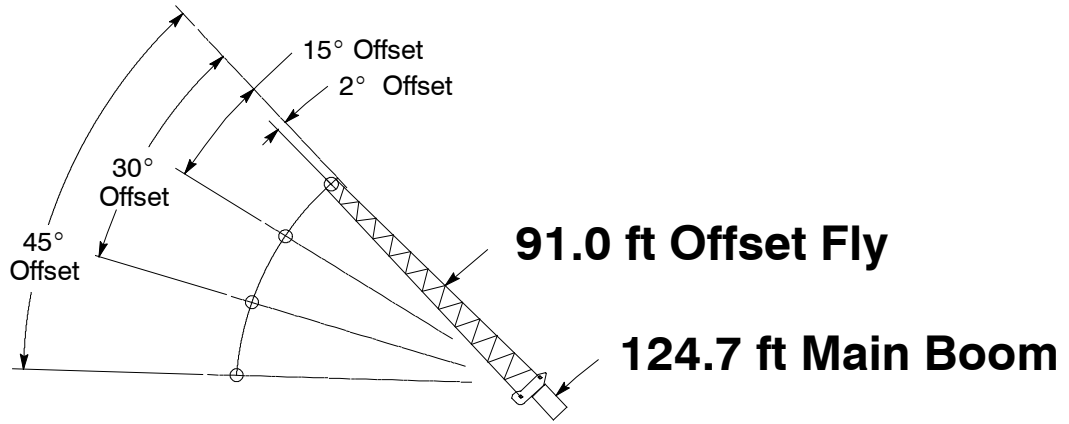
Load Radius (ft)		2° Offset		15° Offset		30° Offset		45° Offset	
		$\Delta$ °	360°	$\Delta$ °	360°	$\Delta$ °	360°	$\Delta$ °	360°
40		79.5	13,200						
45		78.0	12,900						
50		77.0	12,600						
55		75.5	12,300	78.5	10,900				
60		74.5	12,000	77.0	10,600				
65		73.0	11,700	76.0	10,400	79.5	9,000		
70		71.5	11,400	74.5	10,100	78.0	8,800		
75		70.0	11,200	73.0	9,900	76.5	8,600		
80		68.5	10,900	71.5	9,700	75.0	8,500	78.0	7,700
85		67.0	10,600	70.0	9,500	73.5	8,300	76.5	7,500
90		65.5	10,300	68.5	9,200	72.0	8,000	75.0	7,300
95		64.0	9,900	67.0	8,800	70.5	7,700	73.5	7,100
100		62.5	9,400	65.5	8,400	68.5	7,400	71.5	6,800
105		61.0	9,000	63.5	8,100	67.0	7,200	70.0	6,600
110		59.0	8,600	62.0	7,800	65.5	7,000	68.0	6,500
115		57.5	8,300	60.0	7,500	63.5	6,700	66.0	6,300
120		55.5	7,900	58.5	7,200	61.5	6,500	64.0	6,100
125		53.5	7,600	56.5	7,000	59.5	6,300	62.0	6,000
130		52.0	7,300	54.5	6,700	58.0	6,200	60.0	5,800
135		50.0	7,000	52.5	6,500	55.5	6,000	58.0	5,700
140		47.5	6,500	50.5	6,300	53.5	5,900	55.5	5,600
145		45.5	6,100	48.5	6,200	51.5	5,700	53.0	5,600
150		43.0	5,700	46.0	5,900	49.0	5,600	50.5	5,500
155		40.5	5,200	43.5	5,500	46.5	5,500	48.0	5,400
160		38.0	4,700	41.0	5,000	43.5	5,300	45.0	5,400
165		35.0	4,300	38.0	4,500	40.5	4,800		
170		31.5	3,800	34.5	4,100	37.0	4,300		
175		28.0	3,400	31.0	3,600	33.0	3,800		
180		24.0	3,000	26.5	3,200				
185		18.5	2,700	21.0	2,800				
Min.Bm. Ang./Cap.		0.0	2,100	0.0	2,200	0.0	2,400	0.0	2,700
Radius (ft)		189.2		188.2		184.7		178.5	



Rated Lifting Capacities In Pounds		Full		43,000 lb		EM 1		
		2° Offset		15° Offset		30° Offset		45° Offset
Load Radius (ft)	∠ °		∠ °		∠ °		∠ °	
	360°	360°	360°	360°	360°	360°	360°	360°
60	79.5	6,500						
65	78.5	6,500						
70	77.5	6,500						
75	76.5	6,500	79.0	6,500				
80	76.0	6,500	78.5	6,500				
85	75.0	6,500	77.5	6,500				
90	74.0	6,500	76.5	6,500	79.5	6,100		
95	73.0	6,500	75.5	6,500	78.0	5,900		
100	72.0	6,500	74.5	6,300	77.0	5,600	79.5	5,200
105	71.0	6,500	73.5	6,000	76.0	5,400	78.0	5,000
110	70.0	6,400	72.0	5,800	75.0	5,200	77.0	4,800
115	69.0	6,100	71.0	5,500	73.5	5,000	76.0	4,600
120	67.5	5,800	70.0	5,300	72.5	4,800	74.5	4,500
125	66.5	5,500	68.5	5,100	71.0	4,600	73.5	4,300
130	65.0	5,100	67.5	4,900	70.0	4,400	72.0	4,200
135	63.5	4,700	66.0	4,700	68.5	4,300	70.5	4,000
140	62.5	4,300	65.0	4,500	67.5	4,100	69.5	3,900
145	61.0	4,000	63.5	4,200	66.0	4,000	68.0	3,800
150	59.5	3,600	62.0	3,900	64.5	3,900	66.5	3,700
155	58.0	3,300	60.5	3,500	63.5	3,700	65.0	3,600
160	56.5	3,000	59.0	3,200	62.0	3,500	63.5	3,500
165	55.0	2,700	57.5	2,900	60.0	3,200	62.0	3,400
170	53.5	2,500	56.0	2,700	58.5	2,900	60.5	3,100
175	51.5	2,200	54.0	2,400	57.0	2,600	58.5	2,800
180	50.0	2,000	52.5	2,100	55.0	2,300	57.0	2,500
185	48.5	1,700	50.5	1,900	53.5	2,100	55.0	2,200
190	46.5	1,500	49.0	1,700	51.5	1,800	53.0	1,900
195	44.5	1,300	47.0	1,400	49.5	1,600	51.0	1,700
200			45.0	1,200	47.5	1,400	48.5	1,400
205							46.5	1,200
Min.Bm. Ang./Cap.	43.0		44.5		45.5		45.5	
Radius (ft)	200.0		202.5		205.0		207.5	
Maximum Boom Length At 0° Boom Angle (ft)					132			

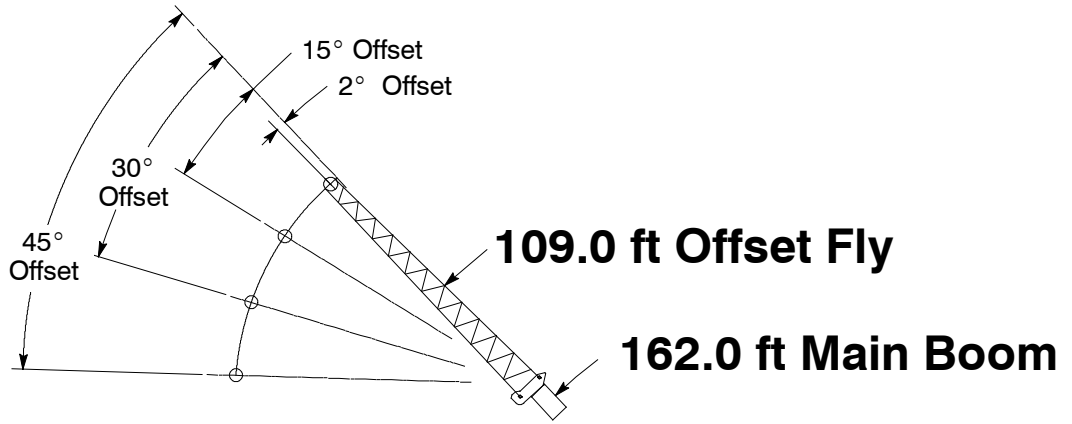


Rated Lifting Capacities In Pounds		Full		43,000 lb		EM 2		
		2° Offset		15° Offset		30° Offset		45° Offset
Load Radius (ft)	∠ °	360°	∠ °	360°	∠ °	360°	∠ °	360°
	55	79.5	7,500					
60	78.5	7,500						
65	77.5	7,500						
70	76.5	7,500	79.5	7,500				
75	75.5	7,500	78.5	7,500				
80	74.5	7,500	77.5	7,500				
85	74.0	7,500	76.0	7,300	79.0	6,500		
90	72.5	7,500	75.0	7,000	78.0	6,200		
95	71.5	7,300	74.0	6,600	76.5	5,900	79.0	5,500
100	70.5	7,000	72.5	6,300	75.5	5,700	78.0	5,300
105	69.0	6,600	71.5	6,000	74.0	5,500	76.5	5,100
110	68.0	6,300	70.0	5,800	73.0	5,200	75.5	4,900
115	66.5	6,100	69.0	5,500	71.5	5,000	74.0	4,700
120	65.5	5,800	67.5	5,300	70.5	4,800	72.5	4,500
125	64.0	5,500	66.0	5,100	69.0	4,600	71.0	4,400
130	62.5	5,300	65.0	4,900	67.5	4,500	70.0	4,200
135	61.0	5,100	63.5	4,700	66.0	4,300	68.5	4,100
140	60.0	4,900	62.0	4,500	65.0	4,100	67.0	3,900
145	58.5	4,600	60.5	4,400	63.5	4,000	65.5	3,800
150	56.5	4,300	59.0	4,200	62.0	3,900	64.0	3,700
155	55.0	4,000	57.5	4,000	60.5	3,700	62.0	3,600
160	53.5	3,700	56.0	3,800	58.5	3,600	60.5	3,500
165	52.0	3,400	54.5	3,500	57.0	3,500	59.0	3,400
170	50.0	3,100	52.5	3,300	55.5	3,400	57.0	3,300
175	48.5	2,800	51.0	3,000	53.5	3,200	55.0	3,300
180	46.5	2,600	49.0	2,700	51.5	2,900	53.0	3,000
185	44.5	2,400	47.0	2,500	49.5	2,700	51.0	2,800
190	42.5	2,200	45.0	2,300	47.5	2,400	48.5	2,500
195	40.5	1,900	43.0	2,100	45.0	2,200	46.0	2,300
200	38.0	1,700	40.5	1,800	43.0	2,000		
205	35.5	1,400	38.0	1,600	40.0	1,700		
210			35.5	1,300	37.5	1,500		
Min.Bm. Ang./Cap.	33.0		33.5		34.0		34.0	
Radius (ft)	210.0		213.3		215.0		213.8	
Maximum Boom Length At 0° Boom Angle (ft)					130			

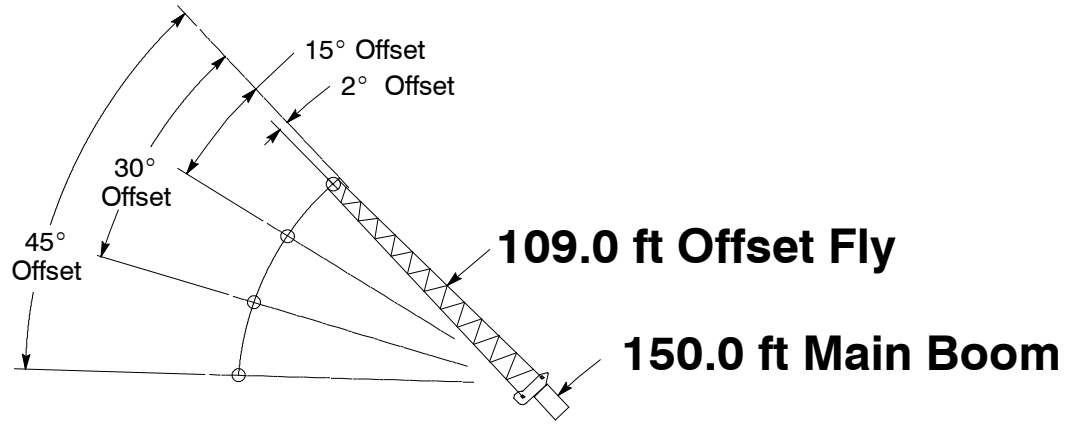


Rated Lifting Capacities In Pounds		Full		43,000 lb				
Load Radius (ft)	2° Offset		15° Offset		30° Offset		45° Offset	
	$\Delta^\circ$	360°	$\Delta^\circ$	360°	$\Delta^\circ$	360°	$\Delta^\circ$	360°
50	78.5	10,700						
55	77.5	10,700						
60	76.5	10,700	79.0	9,900				
65	75.0	10,400	77.5	9,400				
70	73.5	9,700	76.5	8,900				
75	72.5	9,200	75.0	8,400	78.5	7,500		
80	71.0	8,600	73.5	7,900	77.0	7,200		
85	69.5	8,100	72.5	7,500	75.5	6,800	78.5	6,400
90	68.0	7,700	71.0	7,100	74.0	6,500	77.0	6,100
95	67.0	7,300	69.5	6,700	72.5	6,200	75.5	5,800
100	65.5	6,900	68.0	6,400	71.5	5,900	74.0	5,500
105	64.0	6,600	66.5	6,100	69.5	5,600	72.5	5,300
110	62.5	6,200	65.0	5,800	68.0	5,400	71.0	5,100
115	61.0	5,900	63.5	5,500	66.5	5,100	69.0	4,900
120	59.5	5,700	62.0	5,300	65.0	4,900	67.5	4,700
125	57.5	5,400	60.5	5,100	63.5	4,700	66.0	4,500
130	56.0	5,200	58.5	4,800	62.0	4,500	64.0	4,300
135	54.5	4,900	57.0	4,600	60.0	4,300	62.5	4,200
140	52.5	4,700	55.5	4,400	58.5	4,200	60.5	4,000
145	51.0	4,500	53.5	4,300	56.5	4,000	58.5	3,900
150	49.0	4,400	51.5	4,100	54.5	3,900	56.5	3,800
155	47.0	4,200	50.0	4,000	52.5	3,800	54.5	3,700
160	45.0	4,000	48.0	3,800	50.5	3,600	52.0	3,600
165	43.0	3,900	45.5	3,700	48.5	3,500	50.0	3,500
170	41.0	3,700	43.5	3,600	46.0	3,500	47.5	3,400
175	38.5	3,400	41.0	3,500	43.5	3,400		
180	35.5	3,000	38.5	3,300	41.0	3,300		
185	33.0	2,600	35.5	2,900	38.0	3,100		
190	30.0	2,300	32.5	2,500	34.5	2,600		
195	26.0	2,000	28.5	2,100	30.0	2,200		
200	22.0	1,700	24.5	1,800				
205	15.5	1,400	17.5	1,500				
Min. Bm. Ang./Cap.	11.5		12.0		10.0		0.0	1,200
Radius (ft)	207.1		206.2		201.6		194.0	
Maximum Boom Length At 0° Boom Angle (ft)					118			

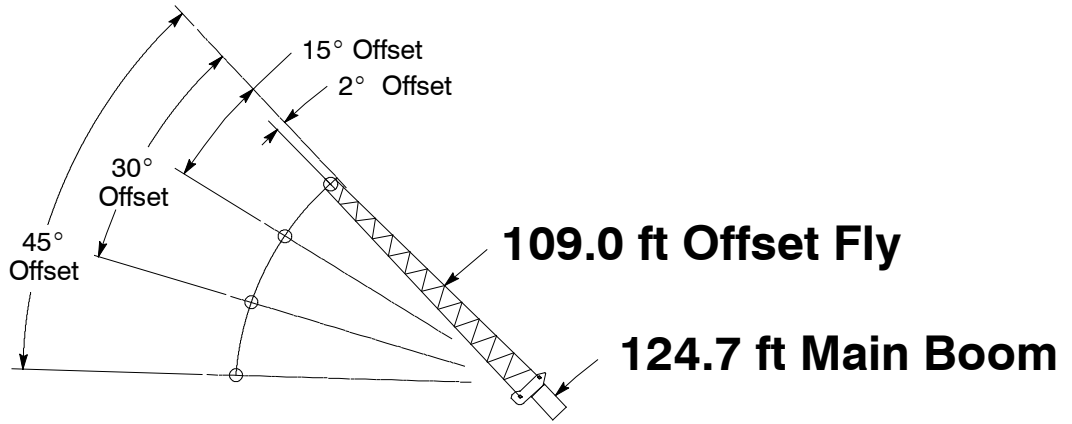




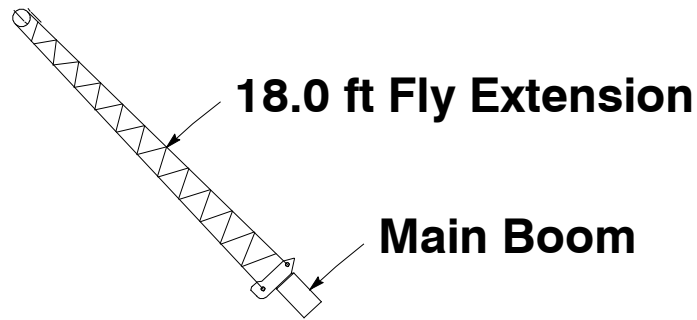
Load Radius (ft)		2° Offset		15° Offset		30° Offset		45° Offset	
		$\Delta$ °	360°	$\Delta$ °	360°	$\Delta$ °	360°	$\Delta$ °	360°
65		79.5	5,000						
70		79.0	5,000						
75		78.0	5,000						
80		77.5	5,000						
85		76.5	5,000	79.0	5,000				
90		76.0	5,000	78.0	5,000				
95		75.0	5,000	77.0	4,900				
100		74.0	5,000	76.0	4,600	78.5	4,200		
105		73.0	4,700	75.0	4,400	77.5	4,000		
110		72.0	4,500	74.0	4,100	76.5	3,800	78.5	3,500
115		71.0	4,200	73.0	3,900	75.5	3,600	77.5	3,400
120		70.0	4,000	72.0	3,700	74.5	3,400	76.5	3,200
125		68.5	3,800	70.5	3,500	73.0	3,200	75.5	3,000
130		67.5	3,600	69.5	3,300	72.0	3,000	74.0	2,900
135		66.5	3,400	68.5	3,200	71.0	2,900	73.0	2,700
140		65.5	3,200	67.5	3,000	70.0	2,700	72.0	2,600
145		64.0	3,100	66.0	2,800	68.5	2,600	70.5	2,400
150		63.0	2,900	65.0	2,700	67.5	2,500	69.5	2,300
155		61.5	2,600	64.0	2,600	66.0	2,300	68.0	2,200
160		60.0	2,300	62.5	2,400	65.0	2,200	67.0	2,100
165		59.0	2,000	61.5	2,200	63.5	2,100	65.5	2,000
170		57.5	1,800	60.0	2,000	62.5	2,000	64.0	1,900
175		56.0	1,500	58.5	1,700	61.0	1,900	62.5	1,800
180		54.5	1,300	57.0	1,500	59.5	1,700	61.5	1,700
185				55.5	1,200	58.0	1,400	60.0	1,600
190						56.5	1,200	58.0	1,300
Min.Bm. Ang./Cap.		53.0		55.0		56.0		56.5	
Radius (ft)		185.0		187.5		192.5		195.0	
Maximum Boom Length At 0° Boom Angle (ft)						104			

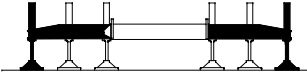
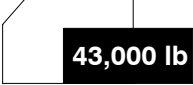


Rated Lifting Capacities In Pounds		Full		43,000 lb		EM 2		
		Full		43,000 lb				
Load Radius (ft)	2° Offset		15° Offset		30° Offset		45° Offset	
	$\Delta^\circ$	360°	$\Delta^\circ$	360°	$\Delta^\circ$	360°	$\Delta^\circ$	360°
65	79.0	5,800						
70	78.0	5,800						
75	77.0	5,800						
80	76.5	5,800	79.0	5,800				
85	75.5	5,800	77.5	5,500				
90	74.5	5,600	76.5	5,200	79.5	4,800		
95	73.5	5,300	75.5	4,900	78.0	4,500		
100	72.0	5,000	74.5	4,700	77.0	4,300	79.5	4,100
105	71.0	4,700	73.5	4,400	76.0	4,100	78.5	3,800
110	70.0	4,500	72.0	4,200	75.0	3,800	77.0	3,600
115	69.0	4,200	71.0	3,900	73.5	3,600	76.0	3,400
120	67.5	4,000	70.0	3,700	72.5	3,400	74.5	3,300
125	66.5	3,800	68.5	3,500	71.5	3,300	73.5	3,100
130	65.5	3,600	67.5	3,300	70.0	3,100	72.0	2,900
135	64.0	3,400	66.0	3,200	69.0	2,900	71.0	2,800
140	63.0	3,200	65.0	3,000	67.5	2,800	69.5	2,600
145	61.5	3,100	63.5	2,800	66.5	2,600	68.5	2,500
150	60.0	2,900	62.5	2,700	65.0	2,500	67.0	2,400
155	59.0	2,800	61.0	2,600	63.5	2,400	65.5	2,300
160	57.5	2,600	59.5	2,400	62.0	2,200	64.0	2,200
165	56.0	2,500	58.5	2,300	61.0	2,100	62.5	2,000
170	55.0	2,400	57.0	2,200	59.5	2,000	61.0	1,900
175	53.0	2,100	55.5	2,100	58.0	1,900	59.5	1,900
180	51.5	1,900	54.0	2,000	56.5	1,800	58.0	1,800
185	50.0	1,700	52.5	1,800	55.0	1,800	56.5	1,700
190	48.5	1,500	51.0	1,600	53.0	1,700	54.5	1,600
195	46.5	1,300	49.0	1,400	51.5	1,500	53.0	1,600
200			47.0	1,200	49.5	1,300	51.0	1,400
205							48.5	1,200
Min. Bm. Ang./Cap.	45.0		46.5		47.5		47.5	
Radius (ft)	200.0		202.5		205.0		207.5	
Maximum Boom Length At 0° Boom Angle (ft)					103			



Load Radius (ft)		2° Offset		15° Offset		30° Offset		45° Offset	
		$\Delta$ °	360°	$\Delta$ °	360°	$\Delta$ °	360°	$\Delta$ °	360°
55	78.5	8,300							
60	77.5	8,300							
65	76.5	8,100	79.0	7,600					
70	75.5	7,500	78.0	7,100					
75	74.0	7,000	76.5	6,600					
80	73.0	6,600	75.5	6,200	78.5	5,800			
85	71.5	6,200	74.0	5,800	77.5	5,500			
90	70.5	5,800	73.0	5,500	76.0	5,100	78.5	4,900	
95	69.0	5,400	71.5	5,100	74.5	4,800	77.5	4,600	
100	68.0	5,100	70.5	4,800	73.5	4,500	76.0	4,400	
105	66.5	4,800	69.0	4,500	72.0	4,300	74.5	4,100	
110	65.0	4,500	67.5	4,300	70.5	4,000	73.0	3,900	
115	64.0	4,300	66.5	4,000	69.5	3,800	72.0	3,700	
120	62.5	4,000	65.0	3,800	68.0	3,600	70.5	3,500	
125	61.0	3,800	63.5	3,600	66.5	3,400	69.0	3,300	
130	59.5	3,600	62.0	3,400	65.0	3,200	67.5	3,100	
135	58.0	3,400	60.5	3,200	63.5	3,000	66.0	2,900	
140	56.5	3,200	59.0	3,000	62.0	2,800	64.0	2,800	
145	55.0	3,000	57.5	2,800	60.5	2,700	62.5	2,600	
150	53.5	2,800	56.0	2,700	59.0	2,500	61.0	2,500	
155	52.0	2,700	54.5	2,500	57.0	2,400	59.0	2,400	
160	50.5	2,600	53.0	2,400	55.5	2,300	57.5	2,200	
165	48.5	2,400	51.0	2,300	53.5	2,200	55.5	2,100	
170	47.0	2,300	49.5	2,200	52.0	2,100	53.5	2,000	
175	45.0	2,200	47.5	2,100	50.0	2,000	51.5	1,900	
180	43.0	2,100	45.5	2,000	48.0	1,900	49.5	1,900	
185	41.0	2,000	43.5	1,900	46.0	1,800	47.0	1,800	
190	39.0	1,900	41.5	1,800	43.5	1,700			
195	36.5	1,800	39.0	1,700	41.0	1,700			
200	34.0	1,600	36.5	1,700	38.5	1,600			
205	31.5	1,300	34.0	1,500	35.5	1,600			
210			30.5	1,200	32.0	1,300			
Min. Bm. Ang./Cap.	29.5		29.5		30.0		30.5		
Radius (ft)	208.3		211.7		212.5		210.0		
Maximum Boom Length At 0° Boom Angle (ft)					95				



Rated Lifting Capacities In Pounds								
		162 ft Boom		150 ft Boom		124.7 ft Boom		
Load Radius (ft)	Boom Mode EM1		Boom Mode EM2		Boom Mode EM3			
	$\Delta^\circ$	360°	$\Delta^\circ$	360°	$\Delta^\circ$	360°		
25					79.0	34,500		
30					77.5	34,500		
35	78.0	17,000	78.0	25,200	75.5	34,500		
40	77.0	17,000	77.0	25,200	73.5	32,900		
45	75.5	17,000	75.5	25,200	71.5	30,000		
50	74.0	17,000	74.0	24,600	69.5	27,400		
55	73.0	17,000	72.0	22,600	67.0	25,100		
60	71.5	17,000	70.0	21,000	65.0	22,900		
65	70.0	17,000	68.5	19,500	62.5	21,100		
70	68.5	17,000	66.5	18,100	60.5	19,700		
75	67.0	16,000	64.5	16,900	58.0	18,200		
80	65.0	14,900	62.5	15,700	55.5	16,800		
85	63.0	13,900	60.5	14,700	52.5	15,600		
90	61.5	12,900	58.5	13,700	50.0	14,500		
95	59.5	12,100	56.5	12,800	47.0	13,500		
100	57.5	11,300	54.0	11,900	44.0	12,500		
105	55.5	10,600	52.0	11,100	41.0	11,700		
110	53.5	9,900	49.5	10,400	37.5	10,900		
115	51.0	9,300	47.0	9,700	33.5	9,900		
120	49.0	8,600	44.5	9,000	29.5	9,000		
125	46.5	8,000	41.5	8,400	24.0	8,100		
130	44.0	7,500	38.5	7,900	17.5	7,300		
135	41.5	7,000	35.5	7,300				
140	39.0	6,500	32.0	6,600				
145	36.0	6,000	28.0	6,000				
150	32.5	5,400	23.5	5,400				
155	29.0	4,900	17.0	4,900				
160	24.5	4,400						
165	19.5	3,900						
170	11.5	3,500						
Min.Bm. Ang./Cap.	0.0	1,500	0.0	2,700	0.0	5,500		
Radius (ft)	171.5		159.5		134.2			

Not for crane operations

Rated Lifting Capacities In Pounds		10.0' Hydraulic Offset Fly										EM 1	360°
		Full											
Load Radius (ft)		Boom Length (ft)											
		41.4	55.0	70.0	85.0	100.0	115.0	130.0	145.0	155.0	162.0		
10	51,800												
12	47,200			48,600									
15	46,200		46,700	48,600	48,600								
20	45,000		45,500	45,100	43,900	45,100	38,100	28,800	25,400	22,300			
25	44,400		44,700	44,300	43,300	41,100	38,100	28,800	25,400	22,300			
30	43,800		44,200	43,800	42,800	38,800	36,000	28,800	25,400	22,300			
35	42,100		44,100	40,900	40,900	34,800	32,800	28,800	25,400	22,300			19,900
40	42,100		43,000	37,000	37,000	31,800	29,900	28,800	25,400	22,300			19,900
45			41,900	34,000	34,000	28,900	27,400	26,900	25,400	22,300			19,900
50			41,700	31,200	31,200	26,500	25,200	24,500	23,800	22,300			19,900
55			39,700	28,900	28,900	24,300	23,300	22,500	22,100	20,800			19,900
60				26,800	26,800	22,500	20,700	20,700	20,800	19,200			18,300
65				25,100	25,100	20,800	19,100	19,100	19,000	17,700			16,900
70				23,700	23,700	19,400	17,700	17,700	17,600	16,700			15,900
75						18,100	18,700	18,700	17,600	16,700			15,900
80						17,100	17,400	17,400	16,700	15,500			14,700
85						16,000	16,600	16,600	15,500	14,400			13,600
90						15,100	15,500	15,500	14,500	13,400			12,700
95						14,200	14,600	14,600	13,600	12,500			11,800
100						13,400	13,800	13,800	12,700	11,600			11,000
105							13,000	13,000	11,900	10,800			10,200
110							12,300	12,300	11,200	10,000			9,500
115							11,400	11,400	10,500	9,300			8,800
120								9,200	9,500	8,600			8,100
125								8,700	8,600	8,000			7,500
130								8,300	7,800	7,400			6,900
135									7,100	6,700			6,400
140									6,400	6,000			5,800
145									5,800	5,400			5,200
150										4,800			4,600
155										4,300			4,100
160													3,500
Min. Bm. Ang./Cap.	0 / 33,900		0 / 17,900	0 / 10,100	0 / 8,600	0 / 6,800	0 / 5,600	0 / 4,100	0 / 2,900	0 / 2,200			0 / 1,500
Radius (ft)	42.8	56.5	71.5	86.5	101.5	116.5	131.5	146.5	156.5	163.5			

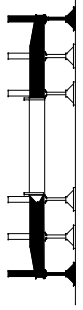
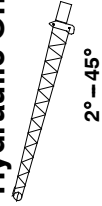
Rated Lifting Capacities In Pounds		10.0' Hydraulic Offset Fly										EM 2		360°		
		2° - 45°										43,000 lb		Full		
Load Radius (ft)	Boom Length (ft)										150.0					
	41.4	55.0	70.0	85.0	100.0	115.0	130.0	140.0	150.0							
10	51,800	51,800	51,800	51,800	51,800	51,800	51,800	51,800	51,800	51,800	51,800	51,800	51,800	51,800	51,800	51,800
12	47,200	47,200	47,200	47,200	47,200	47,200	47,200	47,200	47,200	47,200	47,200	47,200	47,200	47,200	47,200	47,200
15	46,200	46,700	46,700	46,700	46,700	46,700	46,700	46,700	46,700	46,700	46,700	46,700	46,700	46,700	46,700	46,700
20	45,000	45,500	45,500	45,500	45,500	45,500	45,500	45,500	45,500	45,500	45,500	45,500	45,500	45,500	45,500	45,500
25	44,400	44,700	44,700	44,700	44,700	44,700	44,700	44,700	44,700	44,700	44,700	44,700	44,700	44,700	44,700	44,700
30	43,800	44,200	44,200	44,200	44,200	44,200	44,200	44,200	44,200	44,200	44,200	44,200	44,200	44,200	44,200	44,200
35	42,100	44,100	44,100	44,100	44,100	44,100	44,100	44,100	44,100	44,100	44,100	44,100	44,100	44,100	44,100	44,100
40	42,100	43,000	43,000	43,000	43,000	43,000	43,000	43,000	43,000	43,000	43,000	43,000	43,000	43,000	43,000	43,000
45		41,900	41,900	41,900	41,900	41,900	41,900	41,900	41,900	41,900	41,900	41,900	41,900	41,900	41,900	41,900
50		41,700	41,700	41,700	41,700	41,700	41,700	41,700	41,700	41,700	41,700	41,700	41,700	41,700	41,700	41,700
55		39,700	39,700	39,700	39,700	39,700	39,700	39,700	39,700	39,700	39,700	39,700	39,700	39,700	39,700	39,700
60			28,900	28,900	28,900	28,900	28,900	28,900	28,900	28,900	28,900	28,900	28,900	28,900	28,900	28,900
65			27,200	27,200	27,200	27,200	27,200	27,200	27,200	27,200	27,200	27,200	27,200	27,200	27,200	27,200
70			25,700	25,700	25,700	25,700	25,700	25,700	25,700	25,700	25,700	25,700	25,700	25,700	25,700	25,700
75																
80																
85																
90																
95																
100																
105																
110																
115																
120																
125																
130																
135																
140																
145																
150																
Min. Bm. Ang./Cap.	0 / 33,900	0 / 17,900	0 / 11,100	0 / 9,400	0 / 7,700	0 / 6,200	0 / 4,700	0 / 3,800	0 / 2,900							
Radius (ft)	42.8	56.5	71.5	86.5	101.5	116.5	131.5	141.5	151.5							

Rated Lifting Capacities In Pounds		10.0' Hydraulic Offset Fly										EM 3	360°				
		2° - 45°		Full						43,000 lb							
Load Radius (ft)	41.4	55.0	70.0	85.0	100.0	115.0	124.7	Boom Length (ft)									
		10	51,800	51,800													
12	47,200	51,800	51,800														
15	46,200	46,700	51,800	51,800													
20	45,000	45,500	45,800	45,600	51,800												
25	44,400	44,700	45,000	44,900	44,200	50,300											
30	43,800	44,200	44,400	44,300	43,600	42,700											
35	42,100	44,100	44,000	43,800	40,900	39,700											
40	42,100	43,000	43,800	43,500	37,100	36,000											
45		41,900	43,700	43,400	34,200	33,000											
50		41,700	42,600	43,400	31,400	30,200											
55		39,600	40,000	39,600	29,000	27,800											
60			34,800	34,400	26,900	25,600											
65			30,500	30,100	25,000	23,700											
70			27,000	26,600	23,300	22,000											
75				23,600	21,800	20,500											
80				21,100	20,400	19,100											
85				18,900	18,500	17,700											
90					16,700	16,000											
95					15,000	14,300											
100					13,600	12,900											
105						11,600											
110						10,400											
115						9,300											
120																	
125																	
Min. Brm. Ang./Cap.	0 / 33,900	0 / 18,100	0 / 15,400	0 / 12,500	0 / 9,900	0 / 7,700											
Radius (ft)	42.8	56.5	71.5	86.5	101.5	116.5											

Not for crane operations

### 31.0' Hydraulic Offset Fly

**Rated Lifting Capacities  
In Pounds**



43,000 lb

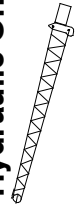


Load Radius (ft)	Boom Length (ft)																			
	41.4				70.3				100.0				130.6				162.0			
	2-15	15-30	30-45		2-15	15-30	30-45		2-15	15-30	30-45		2-15	15-30	30-45		2-15	15-30	30-45	
15	26,300	26,300			33,900	25,100	17,700		23,200	22,300			18,300							
20	23,800	23,800			25,100	17,000	15,200		22,300	19,500	16,900		18,300	18,300						
25	20,500	17,800	17,800		23,500	16,400	14,800		16,500	18,900	14,800		17,900	15,900	15,900		14,400			
30	19,000	16,800	15,300		20,700	15,800	14,500		16,000	18,300	14,500		17,600	15,600	15,600		14,400			
35	17,700	15,900	14,700		19,700	15,300	14,000		15,600	17,800	14,300		17,200	15,300	14,000		14,400			
40	16,600	15,200	14,000		18,700	14,900	13,600		15,300	17,200	14,000		16,900	15,100	13,800		14,400			
45	15,700	14,600	13,400		17,900	14,500	13,300		15,000	16,700	13,600		16,600	14,800	13,600		14,400			
50	14,900	14,200	13,000		17,100	14,200	13,000		14,700	16,300	13,400		16,200	14,600	13,400		14,400			
55	14,300	13,800	12,800		16,400	14,000	12,800		14,400	15,800	13,100		15,900	14,400	13,100		14,400			
60	13,900	13,700	12,800		15,800	13,800	12,700		14,200	15,400	12,900		14,800	14,200	13,000		14,400			
65					15,300	13,700	12,700		14,000	15,000	12,800		13,700	13,900	12,800		13,300			
70					14,800	13,600	12,700		13,800	14,100	12,600		12,700	12,900	12,600		12,300			
75					14,400	13,600	12,700		13,300	13,200	12,600		11,900	12,000	12,200		11,400			
80					14,100	13,600	12,700		12,500	12,400	12,500		11,100	11,200	11,400		10,600			
85					13,800	13,600	12,700		11,800	11,700	11,900		10,400	10,500	10,700		9,800			
90					13,700	13,600	12,700		11,100	11,000	11,200		9,700	9,800	10,000		9,100			
95									10,500	10,400	10,600		9,100	9,200	9,300		8,500			
100									9,900	9,800	10,000		8,500	8,600	8,800		7,900			
105									9,400	9,400	9,600		8,000	8,100	8,200		7,300			
110											10,600		7,500	7,600	7,700		6,800			
115											9,900		7,100	7,100	7,200		6,300			
120											9,400		6,600	6,700	6,800		5,800			
125													6,300	6,300	6,400		5,400			
130													6,000	6,000	6,000		4,900			
135													5,700	5,700			4,500			
140																	4,100			
145																	3,800			
150																	3,400			
155																	3,000			
160																	2,600			
165																	2,300			
170																	2,300			
175																	2,300			
180																	2,300			
Min Bm. Ang./Cap.	0 / 13,700	0 / 13,700	0 / 12,800		0 / 6,100	0 / 6,100	0 / 6,400		0 / 4,100	0 / 4,000	0 / 4,300		0 / 2,100	0 / 2,100	0 / 2,200		15.0 / 0	15.0 / 0	15.0 / 0	
Radius (ft)	64.0	64.0	62.9		92.8	92.7	91.2		122.3	122.6	120.5		153.2	152.9	150.9		183.3	182.3	176.0	



### 31.0' Hydraulic Offset Fly

Rated Lifting Capacities  
In Pounds



2° - 45°



Full



43,000 lb



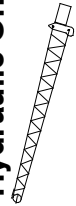
Load Radius (ft) Offset In °	Boom Length (ft)															
	41.4			67.3			94.0			121.6			150.0			
	2-15	15-30	30-45	2-15	15-30	30-45	2-15	15-30	30-45	2-15	15-30	30-45	2-15	15-30	30-45	
15	26,300	26,300		34,400			30,200									
20	23,800	23,800		25,200	25,200		23,600	23,600								
25	20,500	17,800	17,800	23,500	23,500		22,500	23,600	17,100	17,100						
30	19,000	16,800	15,300	22,000	17,700	17,700	21,500	22,500	19,300	19,300	19,800	19,800	17,400	17,300	17,300	
35	17,700	15,900	14,700	19,600	16,900	15,200	19,200	21,500	18,800	18,800	18,300	18,300	16,700	16,700	16,700	15,000
40	16,600	15,200	14,000	18,700	16,300	14,800	17,300	19,200	16,600	16,600	17,400	17,400	16,500	16,500	16,500	13,600
45	15,700	14,600	13,400	17,800	15,700	14,400	16,800	18,500	16,100	16,100	17,000	17,000	16,200	16,200	16,200	13,400
50	14,900	14,200	13,000	17,000	15,200	13,900	16,300	17,900	15,700	15,700	16,600	16,600	15,900	15,900	15,900	13,200
55	14,300	13,800	12,800	16,300	14,800	13,500	15,800	17,300	15,300	15,300	16,200	16,200	15,700	15,700	15,700	13,000
60	13,900	13,700	12,800	15,700	14,400	13,200	15,400	16,800	15,000	15,000	15,600	15,600	15,200	15,200	15,200	12,900
65				15,100	14,100	13,000	15,000	16,300	14,700	14,700	14,500	14,500	14,100	14,100	14,100	12,700
70				14,700	13,900	12,800	14,600	15,800	14,400	14,400	13,500	13,600	13,100	13,100	13,100	12,600
75				14,300	13,800	12,800	14,600	15,400	14,200	14,200	12,900	12,900	12,600	12,600	12,600	12,500
80				14,000	13,700	12,800	14,600	15,000	14,000	14,000	12,800	12,800	12,600	12,600	12,600	12,500
85				13,800	13,700		14,600	14,600	13,800	13,800	12,700	12,700	12,600	12,600	12,600	12,600
90							13,900	13,900	13,700	13,700	12,600	12,600	12,600	12,600	12,600	12,500
95							13,100	13,100	13,200	12,600	11,800	11,800	11,300	11,300	11,300	11,700
100							12,400	12,400	12,500	12,600	11,000	11,000	10,500	10,500	10,500	10,900
105							11,800	11,800	11,800	11,900	10,400	10,400	9,800	9,800	10,000	10,200
110							11,200	11,200	11,200		9,700	9,700	9,100	9,100	9,300	9,500
115							10,700	10,700	10,700		9,200	9,200	8,500	8,500	8,700	8,900
120											8,600	8,700	7,900	7,900	8,100	8,300
125											8,200	8,200	7,300	7,300	7,600	7,700
130											7,700	7,800	6,800	6,800	7,000	7,200
135											7,300	7,400	6,300	6,300	6,500	6,600
140											7,000	7,100	5,800	5,800	6,000	6,100
145													5,300	5,300	5,500	5,600
150													4,900	4,900	5,100	5,200
155													4,500	4,500	4,700	4,700
160													4,000	4,000	4,200	4,200
165													3,600	3,600	3,700	3,700
170													3,200	3,200	3,300	3,300
Min. Bm. Ang./Cap.	0/13,700	0/13,700	0/12,800	0/6,900	0/7,000	0/7,200	0/5,000	0/5,000	0/5,000	0/5,000	0/3,100	0/3,100	0/1,200	0/1,200	0/1,300	0/1,300
Radius (ft)	64.0	64.0	62.9	89.9	89.7	88.2	116.6	116.6	116.3	114.6	144.2	143.9	172.6	172.2	170.2	170.2

Not for crane operations

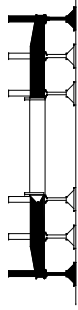
Rated Lifting Capacities In Pounds		31.0' Hydraulic Offset Fly												EM 3		360°	
		Full															
		43,000 lb															
Load Radius (ft)	Boom Length (ft)												124.7				
	41.4				54.6				68.7						96.3		
Offset In °	2-15	15-30	30-45	2-15	15-30	30-45	2-15	15-30	30-45	2-15	15-30	30-45	2-15	15-30	30-45		
15	26,300	26,300		27,100	27,100		34,700	25,600		24,600	24,600		27,800				
20	23,800	23,800		24,800	24,800		25,600	23,800		23,400	23,400		20,200				
25	20,500	17,800	17,800	22,900	18,300	18,300	23,800	23,800	18,300	22,200	22,200	17,600	20,200	20,200			
30	19,000	16,800	15,300	20,200	17,400	15,500	22,300	17,900	15,500	20,100	19,300	14,800	19,000	19,000	16,800		
35	17,700	15,900	14,700	19,000	16,600	15,000	20,000	17,100	15,300	18,600	18,600	14,600	18,500	18,500	14,500		
40	16,600	15,200	14,000	17,900	15,900	14,600	19,000	16,500	14,900	17,900	17,900	14,200	18,000	18,000	14,300		
45	15,700	14,600	13,400	17,000	15,300	14,000	18,100	15,900	14,500	16,500	16,500	13,900	17,500	17,500	14,000		
50	14,900	14,200	13,000	16,200	14,800	13,600	17,200	15,400	14,100	16,700	16,700	13,600	17,100	17,100	13,700		
55	14,300	13,800	12,800	15,500	14,400	13,200	16,500	15,000	13,600	16,200	16,200	13,300	16,600	16,600	13,500		
60	13,900	13,700	12,800	14,800	14,100	12,900	15,900	14,600	13,300	15,700	15,700	13,100	16,200	16,200	13,300		
65				14,300	13,800	12,800	15,300	14,300	13,000	16,700	16,700	12,900	15,600	15,600	13,100		
70				14,000	13,800	12,800	14,800	14,000	12,900	16,200	16,200	12,800	14,400	14,400	12,900		
75				13,800	13,800		14,400	13,800	12,800	15,700	15,700	12,700	14,600	14,600	12,800		
80							14,100	13,800	12,800	15,300	15,300	12,700	14,300	14,300	12,700		
85							13,800	13,700	12,800	14,900	14,900	12,800	14,400	14,400	12,900		
90							13,700	13,700		14,600	14,600	12,700	13,300	13,300	12,800		
95										14,300	14,300	12,700	12,300	12,300	12,700		
100										13,500	13,500	12,700	11,400	11,400	12,000		
105										12,800	12,800	12,700	10,600	10,600	11,100		
110										12,200	12,200		9,800	9,800	10,300		
115										11,400	11,500		9,100	9,100	9,500		
120													8,400	8,400	8,800		
125													7,800	7,800	8,200		
130													7,200	7,200	7,600		
135													6,500	6,500	6,700		
140													5,800	5,800	6,000		
145													5,200	5,200	5,300		
Min. Bm. Ang./Cap.	0/13,700	0/13,700	0/12,800	0/10,500	0/10,700	0/11,200	0/9,100	0/9,300	0/9,700	0/6,200	0/6,300	0/6,700	0/3,500	0/3,600	0/3,800		
Radius (ft)	64.0	64.0	62.9	77.2	77.1	75.8	91.3	91.1	89.6	118.9	118.6	116.9	147.3	146.9	144.9		

# 55.0' Hydraulic Offset Fly

Rated Lifting Capacities  
In Pounds



2° - 45°



Full



43,000 lb



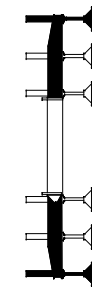
Load Radius (ft)	Boom Length (ft)															
	41.4			70.3			100.0			130.6			162.0			
	2-15	15-30	30-45	2-15	15-30	30-45	2-15	15-30	30-45	2-15	15-30	30-45	2-15	15-30	30-45	
15	20,000															
20	17,900			17,800												
25	13,700			16,800												
30	12,700			15,700			15,100									
35	11,800			12,400			14,500									
40	11,000		9,700	11,800			11,800									
45	10,300	9,200	9,200	11,200	9,600	7,400	11,400	13,000								
50	9,700	8,800	7,700	10,700	9,300	7,200	10,900	12,700					10,400			
55	9,200	8,400	7,400	10,200	8,900	7,700	10,600	10,700					10,400			
60	8,700	8,100	7,000	9,700	8,600	7,400	10,200	10,400					9,500			
65	8,300	7,800	6,800	9,400	8,400	7,200	9,900	10,100					9,300			
70	8,000	7,500	6,600	9,000	8,100	7,000	9,500	9,900					9,100			
75	7,600	7,200	6,600	8,700	7,900	6,800	9,200	9,400					8,600			
80	7,300	7,000	6,600	8,400	7,700	6,600	9,000	9,100					7,200			
85	7,000	7,000	6,600	8,100	7,500	6,500	8,700	8,900					7,000			
90				7,900	7,300	6,400	8,500	8,700					6,700			
95				7,700	7,100	6,400	8,300	8,500					6,500			
100				7,400	7,000	6,400	8,100	8,400					6,300			
105				7,200	6,900	6,400	7,900	8,200					6,200			
110				7,000	6,900	6,400	7,700	8,000					6,000			
115				6,900	6,900		7,600	7,600					6,300			
120							7,400	7,100					6,200			
125							7,200	6,700					6,200			
130							7,100	6,200					6,200			
135							6,900	6,300					6,200			
140							6,700	6,300					6,100			
145							6,500	6,300					5,700			
150								6,300					5,300			
155								6,300					5,300			
160								6,300					5,400			
165								6,300					5,000			
170								6,300					4,700			
175								6,300					4,300			
180								6,300					4,100			
185								6,300					4,000			
190								6,300					4,000			
195								6,300					4,400			
200								6,300					4,200			
205								6,300					4,000			
Min Bm. Ang./Cap.	0/7,000	0/7,000	0/6,600	0/3,900	0/3,900	0/4,200	0/2,400	0/2,500	0/2,600	0/2,600	0/1,100	0/1,100	21.0/0	21.0/0	21.0/0	29.0/0
Radius (ft)	88.0	87.9	86.2	116.9	116.5	114.0	146.6	146.0	143.0	143.0	175.6	173.1	205.5	205.0	205.0	195.0

Not for crane operations

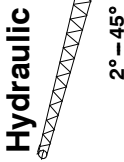
# 55.0' Hydraulic Offset Fly

Rated Lifting Capacities  
In Pounds

43,000 lb



Full



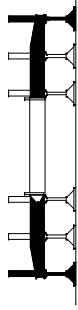
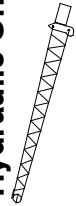
2°-45°



Load Radius (ft)	Boom Length (ft)														
	41.4			67.3			94.0			121.6			150.0		
	2-15	15-30	30-45	2-15	15-30	30-45	2-15	15-30	30-45	2-15	15-30	30-45	2-15	15-30	30-45
15	20,000														
20	17,900			18,100											
25	13,700	13,700		16,900											
30	12,700	12,700	13,200	13,200	15,700										
35	11,800	11,800	12,400	12,400	15,000										
40	11,000	9,700	11,800	11,800	12,000	12,000									
45	10,300	9,200	9,600	9,600	11,500	11,400	11,400	11,400	11,400	12,200					
50	9,700	8,800	9,200	9,200	11,000	9,400	11,000	11,000	11,000	12,000					
55	9,200	8,400	7,400	7,700	10,600	9,100	10,700	10,700	10,700	10,200					
60	8,700	8,100	7,000	7,400	10,200	7,500	8,900	8,900	8,900	8,900	10,000				
65	8,300	7,800	6,800	7,200	9,900	7,300	8,600	8,600	8,700	8,700	9,800				
70	8,000	7,500	6,600	7,000	9,500	7,200	8,400	8,500	8,500	7,200	8,300				8,300
75	7,600	7,200	6,600	6,800	9,200	7,000	8,200	8,300	8,300	7,100	8,200				8,200
80	7,300	7,000	6,600	6,600	8,900	6,800	8,000	8,100	8,100	6,900	8,100				8,100
85	7,000	7,000		6,500	8,700	6,700	7,800	8,000	8,000	6,800	8,000				8,000
90				6,400	8,400	6,600	7,700	7,900	8,800	6,700	7,900				7,900
95				6,400	8,200	6,500	7,500	7,500	8,600	6,600	7,700				7,700
100				6,400	8,000	6,400	7,400	7,600	8,400	6,500	7,600				7,600
105				6,400	7,800	6,400	7,200	7,500	8,200	6,400	7,500				7,500
110				6,900	7,700		7,100	7,400	8,000	6,400	7,400				7,400
115				6,900	7,500		7,000	7,200	7,900	6,300	7,300				7,300
120					7,300		6,900	7,100	7,700	6,300	7,200				7,200
125					7,100		6,800	7,000	7,200	6,300	7,000				7,000
130					7,000		6,800	6,900	7,000	6,300	6,900				6,900
135					6,900		6,800	6,800	6,400	6,300	6,500				6,500
140					6,900				6,000	6,200	6,000				6,000
145									5,700	5,900	5,800				5,800
150									5,400	5,500	5,500				5,500
155									5,200	5,300	5,300				5,300
160									5,000	5,000	5,000				5,000
165									4,800	4,800	4,800				4,800
170															3,600
175															3,300
180															3,000
185															2,800
190															2,500
195															2,300
Min Bm. Ang./Cap.	0/7,000	0/7,000	0/6,600	0/4,400	0/3,100	0/3,400	0/1,800	0/1,800	0/1,700	0/1,900	0/1,900	20.0/0	20.0/0	20.0/0	16.5/0
Radius (ft)	88.0	87.9	86.2	113.9	140.6	137.1	168.2	167.5	164.2	195.7	195.0	186.2	186.2	186.2	186.2

# 55.0' Hydraulic Offset Fly

Rated Lifting Capacities  
In Pounds



43,000 lb



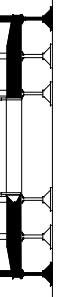
Load Radius (ft)	Boom Length (ft)																				
	41.4				54.6				68.7				96.3				124.7				
	2-15	15-30	30-45		2-15	15-30	30-45		2-15	15-30	30-45		2-15	15-30	30-45		2-15	15-30	30-45		
15	20,000				18,500				19,000				17,900								
20	17,900				16,900				17,600				16,900								
25	13,700	13,700			13,100	13,100			13,400	13,400			16,000								
30	12,700	12,700			12,200	12,200			12,700	12,700			16,000								
35	11,800	11,800			11,500	10,000	10,000		12,000	12,000			12,400	12,400							
40	11,000	9,700	9,700		10,800	9,500	9,500		11,300	9,700	9,700		11,900	11,900							
45	10,300	9,200	9,200		10,300	9,100	7,900		10,800	9,300	9,300		11,400	9,600	9,600						
50	9,700	8,800	7,700		9,800	8,700	7,600		10,300	9,000	7,700		10,900	9,300	9,300						
55	9,200	8,400	7,400		9,300	8,400	7,300		9,800	8,700	7,500		10,500	9,000	7,600						
60	8,700	8,100	7,000		8,900	8,100	7,000		9,400	8,400	7,200		10,100	8,800	7,400						
65	8,300	7,800	6,800		8,500	7,900	6,800		9,000	8,200	7,000		9,800	8,500	7,200						
70	8,000	7,500	6,600		8,200	7,600	6,600		8,700	7,900	6,800		9,400	8,300	7,100						
75	7,600	7,200	6,600		7,900	7,400	6,500		8,400	7,800	6,700		9,100	8,100	6,900						
80	7,300	7,000	6,600		7,600	7,200	6,400		8,100	7,500	6,500		8,900	8,000	6,800						
85	7,000	7,000			7,300	7,000	6,400		7,900	7,300	6,500		8,600	7,800	6,700						
90					7,100	7,000			7,700	7,100	6,400		8,400	7,700	6,600						
95					7,000				7,400	7,000	6,400		8,200	7,500	6,500						
100									7,200		6,400		8,000	7,500	6,400						
105									7,000		6,400		7,800	7,300	6,400						
110									7,000		6,900		7,800	7,200	6,400						
115									7,000		6,900		7,600	7,100	6,400						
120											6,400		7,400	7,000	6,400						
125											6,400		7,200	6,900	6,400						
130											6,400		7,100	6,900	6,400						
135											6,400		7,000	6,900	6,400						
140											6,900		6,900	6,900	6,400						
145											6,900		6,900	6,900	6,400						
150											6,900		6,900	6,900	6,400						
155											6,900		6,900	6,900	6,400						
160											6,900		6,900	6,900	6,400						
165											6,900		6,900	6,900	6,400						
170											6,900		6,900	6,900	6,400						
Min. Bm. Ang./Cap.	0/7,000	0/7,000	0/6,600		0/6,700	0/6,800	0/6,400		0/5,800	0/6,000	0/6,400		0/3,900	0/4,000	0/4,300		0/2,000	0/2,100	0/2,300		
Radius (ft)	88.0	87.9	86.2		101.2	100.9	98.9		115.3	114.9	112.5		142.9	142.3	139.4		171.2	170.5	167.2		

Not for crane operations

# 73.0' Hydraulic Offset Fly

## Rated Lifting Capacities In Pounds

2°-45°



43,000 lb

Full

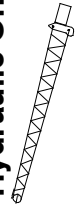


Load Radius (ft)	Boom Length (ft)															
	41.4				70.3				100.0				130.6			
	2-15	15-30	30-45	2-15	15-30	30-45	2-15	15-30	30-45	2-15	15-30	30-45	2-15	15-30	30-45	
20	18,000															
25	16,700			15,500												
30	13,300	13,300		14,900												
35	12,500	12,500		12,400	12,400		13,200									
40	11,800	10,100	10,100	11,900	11,900		12,800									
45	11,100	9,700	9,700	11,400	11,400		11,000	11,000								
50	10,600	9,300	9,300	9,400	9,400	9,400	10,700	11,000								
55	10,000	8,900	7,700	9,100	9,100	9,100	10,400	10,400								
60	9,300	8,600	7,400	8,800	8,800	7,500	8,800	8,800	8,800							
65	8,500	8,300	7,200	8,600	8,600	7,300	9,800	8,600	8,600	8,600						
70	7,900	7,700	6,900	8,300	8,300	7,100	9,600	8,400	7,200	8,200	8,200					
75	7,300	7,200	6,700	7,800	7,800	7,000	9,100	8,000	7,000	8,000	8,000	8,300				
80	6,800	6,700	6,600	7,900	7,300	6,800	8,600	7,600	6,900	6,800	6,800	8,300				
85	6,300	6,200	6,200	7,400	6,900	6,600	8,200	7,300	6,700	6,600	6,600	8,300				
90	6,000	5,900	5,900	7,000	6,500	6,300	7,700	6,900	6,400	6,400	6,400	8,300				
95	5,600	5,600	5,600	6,600	6,200	6,000	7,400	6,600	6,100	6,100	6,100	7,900				
100	5,400	5,400	5,400	6,300	5,900	5,800	7,000	6,300	5,900	5,900	5,900	7,800				
105	5,400			6,000	5,700	5,600	6,700	6,100	5,700	5,700	5,700	7,500				
110				5,700	5,500	5,400	6,400	5,800	5,500	5,500	5,600	7,100				
115				5,500	5,300	5,300	6,100	5,600	5,400	5,400	5,400	6,500				
120				5,300	5,200	5,200	5,900	5,400	5,200	5,200	5,200	6,000				
125				5,200	5,100	5,100	5,700	5,300	5,100	5,100	5,100	5,500				
130				5,200	5,100		5,500	5,100	5,000	5,000	5,000	5,100				
135							5,300	5,000	4,900	4,900	4,900	4,600				
140							5,200	4,900	4,800	4,800	4,800	4,200				
145							5,000	4,900	4,900	4,900	4,600	3,900				
150							4,700	4,700	4,800	4,800	4,300	3,500				
155							4,500	4,500	4,600	4,600	4,000	3,200				
160							4,400	4,400			3,700	2,800				
165											3,400	2,500				
170											3,100	2,200				
175											2,800	2,000				
180											2,600	1,700				
185											2,400	1,500				
190											2,300	1,200				
195											2,300	1,300				
Min Bm. Ang./Cap.	0/5,400	0/5,400	0/5,400	0/5,000	0/5,100	0/5,100	0/3,600	0/3,600	0/3,900	0/2,200	0/2,100	0/2,200	42.5/0	43.5/0	43.5/0	
Radius (ft)	105.9	105.4	103.0	134.8	134.1	131.2	164.5	163.7	160.4	194.2	194.2	190.6	192.5	195.0	197.5	

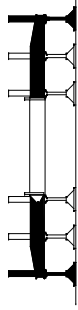
Not for crane operations

# 73.0' Hydraulic Offset Fly

**Rated Lifting Capacities  
In Pounds**



2° - 45°



Full



43,000 lb



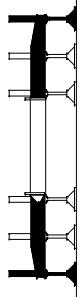
Load Radius (ft)	Boom Length (ft)																								
	41.4					67.3					94.0					121.6					150.0				
	2-15	15-30	30-45	2-15	15-30	30-45	2-15	15-30	30-45	2-15	15-30	30-45	2-15	15-30	30-45	2-15	15-30	30-45	2-15	15-30	30-45				
20	18,000			15,800																					
25	16,700			15,100																					
30	13,300	13,300																							
35	12,500	12,500	10,100	12,500	12,000	11,400	13,600	11,600	11,300	11,300	10,900	10,400	12,100	11,600	11,300	10,900	10,400	10,200	10,000	9,800	9,500	9,300	9,100		
40	11,800	10,100	9,700	11,400	9,400	9,100	10,900	10,600	9,100	8,800	8,800	8,800	10,400	10,200	10,000	9,800	9,500	9,300	9,000	8,800	8,600	8,400	8,300		
45	11,100	9,700	9,300	11,400	9,400	9,100	10,900	10,600	9,100	8,800	8,800	8,800	10,400	10,200	10,000	9,800	9,500	9,300	9,000	8,800	8,600	8,400	8,300		
50	10,600	9,300	8,900	11,000	9,400	9,100	10,900	10,600	9,100	8,800	8,800	8,800	10,400	10,200	10,000	9,800	9,500	9,300	9,000	8,800	8,600	8,400	8,300		
55	10,000	8,900	8,100	10,500	9,100	8,800	10,600	10,300	9,100	8,800	8,800	8,800	10,400	10,200	10,000	9,800	9,500	9,300	9,000	8,800	8,600	8,400	8,300		
60	9,300	8,600	7,900	10,100	8,800	8,500	10,200	10,000	8,800	8,500	8,500	8,500	10,100	9,900	9,700	9,500	9,300	9,000	8,800	8,600	8,400	8,300	8,200		
65	8,500	8,300	7,700	9,600	8,600	8,300	9,900	9,700	8,600	8,300	8,300	8,300	9,800	9,600	9,400	9,200	9,000	8,800	8,600	8,400	8,300	8,200	8,100		
70	7,900	7,700	7,400	8,900	8,200	7,900	9,600	9,400	8,400	8,100	8,100	8,100	9,500	9,300	9,100	8,900	8,700	8,500	8,300	8,200	8,100	8,000	7,900		
75	7,300	7,200	7,200	8,300	7,700	7,400	9,000	8,800	8,000	7,700	7,700	7,700	9,100	8,900	8,700	8,500	8,300	8,100	7,900	7,700	7,600	7,500	7,400		
80	6,800	6,700	6,700	7,800	7,300	7,000	8,500	8,300	7,600	7,300	7,300	7,300	8,600	8,400	8,200	8,000	7,800	7,600	7,400	7,300	7,200	7,100	7,000		
85	6,300	6,200	6,200	7,300	6,900	6,600	8,100	7,900	7,200	6,900	6,900	6,900	8,200	8,000	7,800	7,600	7,400	7,200	7,000	6,900	6,800	6,700	6,600		
90	6,000	5,900	5,900	6,900	6,500	6,300	7,800	7,600	6,900	6,600	6,600	6,600	7,900	7,700	7,500	7,300	7,100	6,900	6,700	6,600	6,500	6,400	6,300		
95	5,600	5,600	5,600	6,500	6,200	6,000	7,500	7,300	6,600	6,300	6,300	6,300	7,600	7,400	7,200	7,000	6,800	6,600	6,400	6,300	6,200	6,100	6,000		
100	5,400	5,400	5,400	6,200	5,900	5,800	7,300	7,100	6,300	6,000	6,000	6,000	7,400	7,200	7,000	6,800	6,600	6,400	6,200	6,100	6,000	5,900	5,800		
105	5,400			5,900	5,600	5,600	7,100	6,900	6,000	5,700	5,700	5,700	7,100	6,900	6,700	6,500	6,300	6,100	5,900	5,700	5,600	5,500	5,400		
110				5,700	5,400	5,400	6,900	6,700	5,800	5,500	5,500	5,500	6,900	6,700	6,500	6,300	6,100	5,900	5,700	5,600	5,500	5,400	5,300		
115				5,500	5,300	5,300	6,700	6,500	5,600	5,300	5,300	5,300	6,700	6,500	6,300	6,100	5,900	5,700	5,600	5,500	5,400	5,300	5,200		
120				5,300	5,200	5,200	6,500	6,300	5,400	5,200	5,200	5,200	6,500	6,300	6,100	5,900	5,700	5,600	5,500	5,400	5,300	5,200	5,100		
125				5,200	5,200	5,200	6,300	6,100	5,200	5,000	5,000	5,000	6,300	6,100	5,900	5,700	5,600	5,500	5,400	5,300	5,200	5,100	5,000		
130				5,200	5,200	5,200	6,100	5,900	5,000	4,800	4,800	4,800	6,100	5,900	5,700	5,500	5,300	5,200	5,100	5,000	4,900	4,800	4,700		
135				5,200	5,200	5,200	5,900	5,700	4,800	4,600	4,600	4,600	5,900	5,700	5,500	5,300	5,100	5,000	4,900	4,800	4,700	4,600	4,500		
140							5,700	5,500	4,600	4,400	4,400	4,400	5,700	5,500	5,300	5,100	4,900	4,800	4,700	4,600	4,500	4,400	4,300		
145							5,500	5,300	4,400	4,200	4,200	4,200	5,500	5,300	5,100	4,900	4,700	4,600	4,500	4,400	4,300	4,200	4,100		
150							5,300	5,200	4,300	4,100	4,100	4,100	5,300	5,100	4,900	4,700	4,600	4,500	4,400	4,300	4,200	4,100	4,000		
155							5,200	5,200	4,300	4,100	4,100	4,100	5,200	5,000	4,800	4,600	4,500	4,400	4,300	4,200	4,100	4,000	3,900		
160							5,200	5,200	4,300	4,100	4,100	4,100	5,200	5,000	4,800	4,600	4,500	4,400	4,300	4,200	4,100	4,000	3,900		
165									4,300	4,100	4,100	4,100	5,200	5,000	4,800	4,600	4,500	4,400	4,300	4,200	4,100	4,000	3,900		
170									4,300	4,100	4,100	4,100	5,200	5,000	4,800	4,600	4,500	4,400	4,300	4,200	4,100	4,000	3,900		
175									4,300	4,100	4,100	4,100	5,200	5,000	4,800	4,600	4,500	4,400	4,300	4,200	4,100	4,000	3,900		
180									4,300	4,100	4,100	4,100	5,200	5,000	4,800	4,600	4,500	4,400	4,300	4,200	4,100	4,000	3,900		
185									4,300	4,100	4,100	4,100	5,200	5,000	4,800	4,600	4,500	4,400	4,300	4,200	4,100	4,000	3,900		
190									4,300	4,100	4,100	4,100	5,200	5,000	4,800	4,600	4,500	4,400	4,300	4,200	4,100	4,000	3,900		
195									4,300	4,100	4,100	4,100	5,200	5,000	4,800	4,600	4,500	4,400	4,300	4,200	4,100	4,000	3,900		
200									4,300	4,100	4,100	4,100	5,200	5,000	4,800	4,600	4,500	4,400	4,300	4,200	4,100	4,000	3,900		
205									4,300	4,100	4,100	4,100	5,200	5,000	4,800	4,600	4,500	4,400	4,300	4,200	4,100	4,000	3,900		
Min. Rm. Ang./Cap.	0/5,400	0/5,400	0/5,400	0/5,100	0/5,200	0/5,200	0/3,800	0/3,900	0/4,200	0/4,200	0/4,200	0/2,400	0/2,500	0/2,700	0/2,700	28.0/0	28.0/0	28.0/0	28.0/0	28.0/0	28.0/0	28.0/0	24.0/0		
Radius (ft)	105.9	105.4	103.0	131.8	131.1	128.2	158.5	157.7	154.4	154.4	154.4	186.1	185.2	181.7	181.7	205.0	206.6	206.6	206.6	206.6	206.6	206.6	200.6		

Not for crane operations

# 73.0' Hydraulic Offset Fly

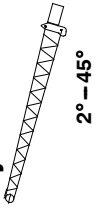


43,000 lb



Full

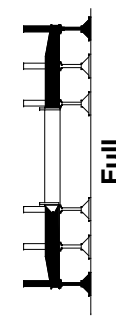
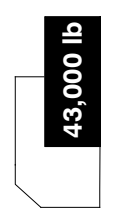
Rated Lifting Capacities  
In Pounds



Load Radius (ft)	Boom Length (ft)																			
	41.4				54.6				68.7				96.3				124.7			
	2-15	15-30	30-45	2-15	15-30	30-45	2-15	15-30	30-45	2-15	15-30	30-45	2-15	15-30	30-45	2-15	15-30	30-45		
20	18,000			17,500			16,700					15,400								
25	16,700			16,500			15,900					14,900								
30	13,300	13,300		13,400	13,400							12,300	12,300							
35	12,500	12,500		12,700	12,700		12,900	12,900				11,900	11,900							
40	11,800	10,100	10,100	12,000	12,000	9,800	12,300	12,300				11,500	11,500	9,400	9,400					
45	11,100	9,700	9,700	11,400	9,800	9,800	11,700	11,700				11,100	11,100	9,100	9,100					
50	10,600	9,300	9,300	10,900	9,400	9,400	9,600	9,600				10,700	10,700	8,700	8,700	10,700				
55	10,000	8,900	7,700	10,400	9,100	7,800	9,200	9,200				10,400	10,400	8,200	8,200	10,400				
60	9,300	8,600	7,400	9,900	8,800	7,500	9,000	9,000				9,100	9,100	7,500	7,500	9,100				
65	8,500	8,300	7,200	9,100	8,500	7,300	8,700	8,700				8,900	8,900	7,400	7,400	8,900				
70	7,900	7,700	6,900	8,500	8,100	7,100	8,400	8,400				9,900	9,900	7,400	7,400	9,900				
75	7,300	7,200	6,700	7,900	7,500	6,900	7,800	7,800				9,400	9,400	7,200	7,200	9,400				
80	6,800	6,700	6,600	7,400	7,000	6,700	7,400	7,400				8,800	8,800	7,000	7,000	8,800				
85	6,300	6,200	6,200	6,900	6,600	6,500	7,000	7,000				8,300	8,300	6,900	6,900	8,300				
90	6,000	5,900	5,900	6,500	6,200	6,200	6,600	6,600				7,900	7,900	6,600	6,600	7,900				
95	5,600	5,600	5,600	6,100	5,900	5,900	6,300	6,300				7,500	7,500	6,300	6,300	7,500				
100	5,400	5,400	5,400	5,800	5,600	5,600	6,000	6,000				7,200	7,200	6,100	6,100	7,200				
105	5,400			5,600	5,400	5,400	5,700	5,700				6,800	6,800	5,900	5,900	6,800				
110				5,400	5,300	5,300	5,500	5,500				6,500	6,500	5,700	5,700	6,500				
115				5,300	5,300		5,300	5,300				6,200	6,200	5,500	5,500	6,200				
120							5,200	5,200				6,000	6,000	5,300	5,300	6,000				
125							5,200	5,200				5,800	5,800	5,200	5,200	5,800				
130							5,300	5,200				5,600	5,600	5,100	5,100	5,600				
135												5,400	5,400	5,100	5,100	5,400				
140												5,300	5,300	5,000	5,000	5,300				
145												5,200	5,200	5,000	5,000	5,200				
150												5,100	5,100	5,000	5,000	5,100				
155												5,100	5,100	5,000	5,000	5,100				
160												5,100	5,100	5,000	5,000	5,100				
165												5,100	5,100	5,000	5,000	5,100				
170												5,100	5,100	5,000	5,000	5,100				
175												5,100	5,100	5,000	5,000	5,100				
180												5,100	5,100	5,000	5,000	5,100				
185												5,100	5,100	5,000	5,000	5,100				
Min. Bm. Ang./Cap.	0/5,400	0/5,400	0/5,400	0/5,300	0/5,300	0/5,300	0/5,000	0/5,000	0/4,900	0/4,900	0/5,200	0/3,300	0/3,300	0/3,400	0/3,600	0/1,600	0/1,600	0/1,800		
Radius (ft)	105.9	105.4	103.0	119.1	118.5	115.8	132.5	132.2	133.2	129.6	160.8	160.8	160.0	156.7	189.2	188.3	184.8			



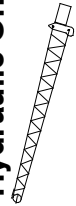
Rated Lifting Capacities In Pounds		91.0' Hydraulic Offset Fly																	
		41.4						70.3						130.6					
		15-30		30-45		70.3		15-30		30-45		100.0		15-30		30-45		162.0	
Load Radius (ft)	2-15	15-30	30-45	2-15	15-30	30-45	2-15	15-30	30-45	2-15	15-30	30-45	2-15	15-30	30-45	2-15	15-30	30-45	
25	15,900																		
30	13,300	13,300		13,300															
35	12,600	12,600		13,000															
40	11,800	12,100		11,300	11,300														
45	10,500	9,800	9,800	11,000	11,000														
50	9,400	9,500	9,500	10,100	10,100														
55	8,400	8,700	7,900	9,200	9,000	9,000	9,400	9,400	9,400	9,400	9,400	9,400	8,300	8,300	8,300	8,300	8,300	8,300	8,300
60	7,600	7,800	7,600	8,500	8,200	8,200	8,700	8,700	8,700	8,700	8,700	8,700	8,300	8,300	8,300	8,300	8,300	8,300	8,300
65	6,900	7,100	7,400	7,800	7,600	7,400	8,100	7,400	7,400	7,400	7,400	7,400	8,200	8,200	8,200	8,200	8,200	8,200	8,200
70	6,300	6,400	6,700	7,200	7,000	7,000	7,500	7,000	7,000	7,000	7,000	7,000	7,700	7,700	7,700	7,700	7,700	7,700	7,700
75	5,700	5,800	6,100	6,600	6,400	6,400	7,000	6,500	6,200	6,200	6,500	6,400	7,200	7,200	7,200	7,200	7,200	7,200	7,200
80	5,200	5,300	5,500	6,100	5,900	5,900	6,600	6,100	5,800	5,800	6,100	6,100	6,800	6,800	6,800	6,800	6,800	6,800	6,800
85	4,800	4,900	5,000	5,700	5,500	5,500	6,100	5,700	5,500	5,500	5,700	5,300	6,400	6,400	6,400	6,400	6,400	6,400	6,400
90	4,400	4,500	4,600	5,300	5,100	5,100	5,800	5,400	5,100	5,100	5,400	5,000	6,000	6,000	6,000	6,000	6,000	6,000	6,000
95	4,100	4,100	4,200	4,900	4,800	4,800	5,400	5,000	4,800	4,800	5,000	4,800	5,700	5,700	5,700	5,700	5,700	5,700	5,700
100	3,800	3,800	3,800	4,600	4,400	4,400	5,100	4,700	4,500	4,500	4,700	4,500	5,400	5,400	5,400	5,400	5,400	5,400	5,400
105	3,500	3,500	3,600	4,200	4,100	4,100	4,800	4,500	4,300	4,300	4,500	4,300	5,100	5,100	5,100	5,100	5,100	5,100	5,100
110	3,300	3,300	3,300	4,000	3,900	3,900	4,500	4,200	4,100	4,100	4,200	4,100	4,800	4,800	4,800	4,800	4,800	4,800	4,800
115	3,100	3,100	3,100	3,700	3,600	3,600	4,200	4,000	3,800	3,800	4,000	3,900	4,600	4,600	4,600	4,600	4,600	4,600	4,600
120	3,000	3,000		3,500	3,400	3,400	4,000	3,800	3,600	3,600	3,800	3,700	4,300	4,300	4,300	4,300	4,300	4,300	4,300
125				3,300	3,200	3,200	3,800	3,600	3,400	3,400	3,600	3,500	4,100	4,100	4,100	4,100	4,100	4,100	4,100
130				3,100	3,100	3,100	3,600	3,400	3,200	3,200	3,400	3,300	3,900	3,900	3,900	3,900	3,900	3,900	3,900
135				3,000	2,900	2,900	3,400	3,200	3,000	3,000	3,200	3,100	3,700	3,700	3,700	3,700	3,700	3,700	3,700
140				2,900	2,900	2,900	3,200	3,100	3,000	3,000	3,100	3,000	3,500	3,500	3,500	3,500	3,500	3,500	3,500
145				2,900	2,800	2,800	3,100	2,900	2,800	2,800	2,900	2,800	3,400	3,400	3,400	3,400	3,400	3,400	3,400
150				2,900	2,800	2,800	3,000	2,800	2,800	2,800	2,900	2,800	3,100	3,100	3,100	3,100	3,100	3,100	3,100
155							2,900	2,700	2,700	2,700	2,700	2,700	2,900	2,900	2,900	2,900	2,900	2,900	2,900
160							2,800	2,700	2,700	2,700	2,700	2,700	2,600	2,600	2,600	2,600	2,600	2,600	2,600
165							2,700	2,600	2,600	2,600	2,600	2,600	2,300	2,300	2,300	2,300	2,300	2,300	2,300
170							2,700	2,600	2,600	2,600	2,600	2,600	2,100	2,100	2,100	2,100	2,100	2,100	2,100
175							2,700	2,600	2,600	2,600	2,600	2,600	1,900	1,900	1,900	1,900	1,900	1,900	1,900
180							2,700	2,600	2,600	2,600	2,600	2,600	1,700	1,800	1,800	1,800	1,800	1,800	1,800
185													1,500	1,500	1,500	1,500	1,500	1,500	1,500
195													1,300	1,300	1,300	1,300	1,300	1,300	1,300
Min Bm. Ang./Cap.	0/3,000	0/3,000	0/3,100	0/2,900	0/2,800	0/2,800	0/1,900	0/1,900	0/2,800	0/2,800	0/1,900	0/1,900	34.0/0	34.0/0	34.0/0	34.0/0	34.0/0	34.0/0	34.0/0
Radius (ft)	123.9	123.3	120.6	152.8	152.1	148.9	182.5	181.6	178.2	195.0	197.5	197.5	197.5	197.5	197.5	177.5	180.0	180.0	185.0





# 91.0' Hydraulic Offset Fly

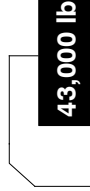
Rated Lifting Capacities  
In Pounds



2° - 45°



Full



43,000 lb

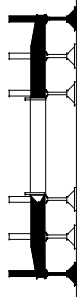


Load Radius (ft)	Boom Length (ft)														
	41.4			54.6			68.7			96.3			124.7		
Offset In °	2-15	15-30	30-45	2-15	15-30	30-45	2-15	15-30	30-45	2-15	15-30	30-45	2-15	15-30	30-45
25	15,900			15,000			14,500								
30	13,300			14,600			14,000								
35	12,600			12,400	12,400										
40	11,800	12,100		11,900	11,900		12,000	12,000		12,900					
45	10,500	9,800	9,800	11,100	11,100		11,400	11,400		12,600					
50	9,400	9,500	9,500	10,000	9,500	9,500	10,300	9,500	9,500	10,700	10,700		10,500		
55	8,400	8,700	7,900	9,100	9,100	9,200	9,400	9,200	9,200	9,800	9,800		10,500		
60	7,600	7,800	7,600	8,200	8,200	7,600	8,600	8,400	8,400	9,100	8,400	8,400	9,200	9,200	
65	6,900	7,100	7,400	7,500	7,500	7,400	7,900	7,700	7,500	8,500	7,800	7,800	8,600	8,600	
70	6,300	6,400	6,700	6,900	6,900	6,900	7,300	7,100	7,100	7,900	7,300	6,900	8,100	8,100	6,800
75	5,700	5,800	6,100	6,300	6,300	6,300	6,700	6,600	6,600	7,300	6,800	6,500	7,600	6,800	6,400
80	5,200	5,300	5,500	5,800	5,800	5,800	6,200	6,100	6,100	6,800	6,300	6,100	7,100	6,400	6,400
85	4,800	4,900	5,000	5,300	5,300	5,300	5,800	5,600	5,600	6,400	5,900	5,700	6,700	6,000	5,600
90	4,400	4,500	4,600	4,900	4,900	4,900	5,300	5,200	5,200	6,000	5,600	5,400	6,300	5,700	5,300
95	4,100	4,100	4,200	4,500	4,500	4,500	5,000	4,800	4,800	5,600	5,200	5,000	5,900	5,400	5,000
100	3,800	3,800	3,800	4,200	4,200	4,200	4,600	4,500	4,500	5,200	4,900	4,700	5,600	5,100	4,800
105	3,500	3,500	3,600	3,900	3,900	3,900	4,300	4,200	4,200	4,900	4,600	4,500	5,300	4,800	4,500
110	3,300	3,300	3,300	3,600	3,600	3,600	4,000	3,900	3,900	4,600	4,400	4,200	5,000	4,600	4,300
115	3,100	3,100	3,100	3,400	3,400	3,400	3,800	3,700	3,700	4,400	4,100	4,000	4,700	4,300	4,100
120	3,000	3,000		3,200	3,200	3,200	3,500	3,500	3,500	4,100	3,900	3,800	4,500	4,100	3,900
125				3,100	3,000	3,000	3,300	3,300	3,300	3,900	3,700	3,600	4,300	3,900	3,700
130				3,000	3,000	3,000	3,200	3,100	3,100	3,700	3,500	3,400	4,000	3,700	3,500
135				3,000	3,000		3,000	3,000	3,000	3,500	3,300	3,300	3,800	3,500	3,400
140							2,900	2,900	2,900	3,300	3,200	3,100	3,700	3,400	3,200
145							2,900	2,900		3,200	3,000	3,000	3,500	3,200	3,100
150							2,900	2,900		3,000	2,900	2,900	3,300	3,000	3,000
155										2,900	2,800	2,800	3,200	3,000	2,900
160										2,800	2,700	2,700	3,000	2,800	2,800
165										2,800	2,700	2,700	2,900	2,700	2,700
170										2,800	2,700	2,700	2,800	2,700	2,600
175										2,800	2,700	2,700	2,500	2,600	2,600
180													2,200	2,400	2,500
185													2,000	2,100	2,200
190													1,700	1,800	1,900
195													1,500	1,600	
200													1,300		
Min Bm. Ang./Cap.	0/3,000	0/3,000	0/3,100	0/3,000	0/3,000	0/3,000	0/2,900	0/2,900	0/2,900	0/1,700	0/1,700	0/1,800	21.5/0	26.0/0	26.5/0
Radius (ft)	123.9	123.3	120.6	137.1	136.4	133.5	151.2	150.5	147.3	178.8	178.0	174.5	205.0	200.4	192.3





Load Radius (ft)		109.0' Hydraulic Offset Fly																										
		41.4				54.6				68.7				96.3				124.7										
Offset In °		2-15			15-30			30-45			2-15			15-30			30-45			2-15			15-30			30-45		
25	13,900										12,000																	
30	13,100				12,500						10,700						10,300											
35	11,400				11,600						9,600						10,000											
40	10,000				10,300						8,600						8,800											
45	8,800				9,200						7,800						8,000											
50	7,800				8,200						7,000						7,400											
55	6,900				7,300						6,400						6,700											
60	6,200				6,600						5,800						6,200											
65	5,500				5,900						5,300						5,700											
70	4,900				5,400						4,800						5,200											
75	4,400				4,800						4,400						4,800											
80	3,900				4,400						4,000						4,400											
85	3,500				3,900						3,600						4,000											
90	3,100				3,600						3,300						3,600											
95	2,800				3,200						3,000						3,300											
100	2,500				2,900						2,700						3,000											
105	2,200				2,600						2,400						2,700											
110	2,000				2,300						2,100						2,400											
115	1,800				2,100						1,900						2,200											
120	1,500				1,800						1,600						1,900											
125	1,400				1,600						1,400						1,700											
130	1,200				1,500						1,300						1,600											
135	1,100				1,300						1,200						1,400											
140	1,100				1,200						1,100						1,300											
145																												
150																												
155																												
160																												
165																												
170																												
Min. Bm. Ang./Cap.	0/1,100	0/1,100	0/1,100	0/1,100	32.0/0	39.0/0	39.0/0	39.0/0	39.0/0	37.5/0	40.5/0	41.0/0	41.0/0	42.5/0	47.5/0	49.0/0	49.0/0	49.0/0	49.0/0	49.0/0	49.0/0	49.0/0	49.0/0	49.0/0	49.0/0	49.0/0	49.0/0	57.0/0
Radius (ft)	141.9	141.3	138.4	145.0	140.0	140.0	140.0	140.0	140.0	150.0	150.0	150.0	150.0	165.0	160.0	160.0	165.0	175.0	165.0	165.0	165.0	165.0	165.0	165.0	165.0	165.0	165.0	165.0



Full

109.0' Hydraulic Offset Fly

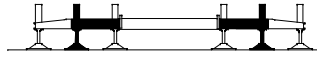


2°-45°

Boom Length (ft)

Not for crane operations

**Rated Lifting Capacities  
In Pounds**



**Intermediate**



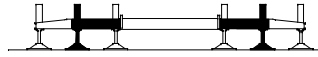
**0 lb**



Load Radius (ft)	41.4 ft		55.0 ft		70.0 ft		85.0 ft	
	$\Delta^\circ$	360°	$\Delta^\circ$	360°	$\Delta^\circ$	360°	$\Delta^\circ$	360°
10	69.0	223,800	74.5	77,300	77.5	51,000		
12	66.0	196,500	72.5	77,300	76.5	51,000		
15	61.0	127,200	69.0	77,300	74.0	51,000	76.5	51,200
20	52.0	61,300	63.0	66,900	69.5	51,000	73.5	51,200
25	41.5	36,800	56.5	42,100	64.5	44,900	70.0	45,700
30	27.0	24,100	49.5	29,100	60.0	31,800	66.0	32,500
35			41.5	21,000	54.5	23,800	62.0	24,400
40			32.0	15,600	49.0	18,200	58.0	19,000
45			17.5	11,600	43.0	14,200	53.5	15,100
50					36.5	11,200	49.0	12,100
55					28.0	8,800	44.0	9,700
60					15.0	6,900	39.0	7,700
65							32.5	6,200
70							25.0	4,800
75							13.0	3,700
Min.Bm. Ang./Cap.	0.0	19,100	0.0	10,600	0.0	6,400	0.0	3,500
Radius (ft)	32.8		46.5		61.5		76.5	

Load Radius (ft)	100.0 ft		115.0 ft		130.0 ft	
	$\Delta^\circ$	360°	$\Delta^\circ$	360°	$\Delta^\circ$	360°
20	76.0	47,900				
25	73.5	46,200	76.0	45,700	77.5	37,100
30	70.0	33,000	73.0	32,600	75.5	32,300
35	66.5	24,900	70.0	24,500	73.0	24,200
40	63.5	19,400	67.5	19,000	70.0	18,700
45	60.0	15,600	64.5	15,300	67.5	15,000
50	56.5	12,600	61.5	12,300	65.0	12,000
55	52.5	10,200	58.5	10,000	62.5	9,700
60	49.0	8,300	55.5	8,100	60.0	7,900
65	44.5	6,700	52.0	6,500	57.5	6,300
70	40.5	5,400	49.0	5,200	54.5	5,100
75	35.5	4,200	45.0	4,100	51.5	3,900
80	29.5	3,300	41.5	3,100	48.5	3,000
85	22.5	2,500	37.5	2,300	45.5	2,100
90	12.0	1,700	33.0	1,500	42.0	1,400
Min.Bm. Ang./Cap.	0.0	1,600	29.5		40.5	
Radius (ft)	91.5		93.3		92.5	

**Rated Lifting Capacities  
In Pounds**



**Intermediate**

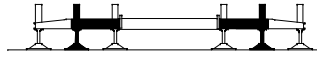


Load Radius (ft)	41.4 ft		55.0 ft		70.0 ft		85.0 ft	
	$\Delta^\circ$	360°	$\Delta^\circ$	360°	$\Delta^\circ$	360°	$\Delta^\circ$	360°
10	69.0	223,800	74.5	77,300	78.0	67,800		
12	66.0	196,500	72.5	77,300	76.5	67,800		
15	61.0	127,200	69.0	77,300	74.0	67,800	77.0	68,100
20	52.0	61,300	63.0	66,900	69.5	67,800	74.0	66,100
25	41.5	36,800	56.5	42,100	64.5	44,700	70.0	45,500
30	27.0	24,100	49.5	29,100	60.0	31,600	66.0	32,400
35			41.5	21,000	54.5	23,600	62.0	24,300
40			32.0	15,600	49.0	18,000	58.0	18,800
45			17.5	11,600	43.0	14,100	53.5	15,000
50					36.5	11,000	49.0	11,900
55					28.0	8,700	44.0	9,500
60					15.0	6,800	39.0	7,600
65							32.5	6,000
70							25.0	4,700
75							13.5	3,600
Min.Bm. Ang./Cap.	0.0	19,100	0.0	10,600	0.0	6,300	0.0	3,300
Radius (ft)	32.8		46.5		61.5		76.5	

Load Radius (ft)	100.0 ft		115.0 ft		130.0 ft	
	$\Delta^\circ$	360°	$\Delta^\circ$	360°	$\Delta^\circ$	360°
20	76.5	60,000				
25	73.5	45,600	76.0	45,200	78.0	44,500
30	70.0	32,500	73.0	32,200	75.5	31,500
35	67.0	24,400	70.5	24,100	73.0	23,500
40	63.5	18,900	67.5	18,600	70.5	18,100
45	60.0	15,200	64.5	14,900	68.0	14,400
50	56.5	12,200	61.5	11,900	65.5	11,400
55	53.0	9,800	58.5	9,600	63.0	9,100
60	49.0	7,900	55.5	7,800	60.0	7,300
65	45.0	6,300	52.5	6,200	57.5	5,800
70	40.5	5,000	49.0	4,900	54.5	4,500
75	35.5	3,900	45.5	3,800	52.0	3,400
80	30.0	2,900	41.5	2,800	49.0	2,400
85	23.0	2,100	37.5	2,000	45.5	1,600
90	12.0	1,400	33.0	1,200		
Min.Bm. Ang./Cap.	0.0	1,200	32.0		44.0	
Radius (ft)	91.5		90.8		87.5	



**Rated Lifting Capacities  
In Pounds**



**Intermediate**



**0 lb**

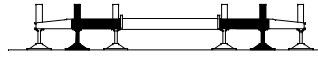


Load Radius (ft)	41.4 ft		55.0 ft		70.0 ft	
	$\Delta^\circ$	360°	$\Delta^\circ$	360°	$\Delta^\circ$	360°
10	69.0	223,800	74.5	73,800	78.0	68,700
12	66.0	196,500	72.5	73,800	76.5	68,700
15	61.0	127,200	69.0	73,800	74.0	68,700
20	52.0	61,300	63.0	66,900	69.5	68,600
25	41.5	36,800	56.5	42,100	64.5	43,500
30	27.0	24,100	49.5	29,000	60.0	30,600
35			41.5	20,900	54.5	22,700
40			32.0	15,500	49.0	17,200
45			17.5	11,600	43.0	13,200
50					36.5	10,200
55					28.0	7,800
60					15.0	5,900
Min.Bm. Ang./Cap.	0.0	19,100	0.0	10,600	0.0	5,500
Radius (ft)	32.8		46.5		61.5	

Load Radius (ft)	85.0 ft		100.0 ft		115.0 ft	
	$\Delta^\circ$	360°	$\Delta^\circ$	360°	$\Delta^\circ$	360°
15	77.0	69,100				
20	73.5	68,500	76.5	61,000		
25	69.5	43,400	73.0	43,100	76.0	42,200
30	66.0	30,600	70.0	30,300	73.0	29,500
35	62.0	22,600	66.5	22,300	70.5	21,600
40	58.0	17,200	63.5	17,100	67.5	16,400
45	53.5	13,500	60.0	13,300	64.5	12,600
50	49.0	10,400	56.5	10,400	61.5	9,700
55	44.0	8,100	53.0	8,000	58.5	7,500
60	39.0	6,200	49.0	6,100	55.5	5,700
65	32.5	4,600	45.0	4,600	52.5	4,100
70	25.0	3,300	40.5	3,300	49.0	2,800
75	13.5	2,200	35.5	2,200	45.5	1,700
Min.Bm. Ang./Cap.	0.0	2,000	30.0		44.0	
Radius (ft)	76.5		79.9		76.7	

**Not for crane operations**

**Rated Lifting Capacities  
In Pounds**



**Intermediate**

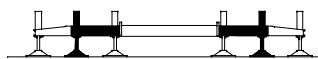


Load Radius (ft)	41.4 ft		55.0 ft		70.0 ft	
	$\Delta^\circ$	360°	$\Delta^\circ$	360°	$\Delta^\circ$	360°
10	69.0	223,800	74.5	73,800	78.0	68,700
12	66.0	196,500	72.5	73,800	76.5	68,700
15	61.0	127,200	69.0	73,800	74.0	68,700
20	52.0	61,300	63.0	66,900	69.5	68,600
25	41.5	36,800	56.5	42,100	64.5	43,500
30	27.0	24,100	49.5	29,000	60.0	30,600
35			41.5	20,900	54.5	22,700
40			32.0	15,500	49.0	17,200
45			17.5	11,600	43.0	13,200
50					36.5	10,200
55					28.0	7,800
60					15.0	5,900
Min.Bm. Ang./Cap.	0.0	19,100	0.0	10,600	0.0	5,500
Radius (ft)	32.8		46.5		61.5	

Load Radius (ft)	85.0 ft		100.0 ft		112.0 ft	
	$\Delta^\circ$	360°	$\Delta^\circ$	360°	$\Delta^\circ$	360°
15	77.0	64,900				
20	73.5	64,900	76.5	65,200	78.5	56,400
25	69.5	43,300	73.5	42,300	75.5	41,600
30	66.0	30,500	70.0	29,500	72.5	28,900
35	62.0	22,500	66.5	21,600	69.5	21,100
40	58.0	17,200	63.5	16,500	66.5	16,000
45	53.5	13,400	60.0	12,600	63.5	12,200
50	49.0	10,300	56.5	9,700	60.5	9,300
55	44.0	8,000	53.0	7,400	57.5	7,000
60	39.0	6,100	49.0	5,500	54.5	5,200
65	32.5	4,500	45.0	4,000	51.0	3,700
70	25.0	3,200	40.5	2,700	47.5	2,400
75	13.5	2,200	35.5	1,600		
Min.Bm. Ang./Cap.	0.0	1,900	34.0		44.5	
Radius (ft)	76.5		76.4		74.5	

Not for crane operations

**Rated Lifting Capacities  
In Pounds**



**Intermediate**



Load Radius (ft)	41.4 ft		55.5 ft	
	$\Delta^\circ$	360°	$\Delta^\circ$	360°
10	69.0	223,800	74.5	157,000
12	66.0	196,500	72.5	157,000
15	61.0	127,200	69.0	132,600
20	52.0	61,300	63.0	65,300
25	41.5	36,800	57.0	40,800
30	27.0	24,100	50.0	27,900
35			42.5	19,900
40			33.0	14,500
45			19.5	10,600
Min.Bm. Ang./Cap.	0.0	19,100	0.0	9,300
Radius (ft)	32.8		47.0	

Load Radius (ft)	70.4 ft		86.2 ft	
	$\Delta^\circ$	360°	$\Delta^\circ$	360°
10	78.5	151,100		
12	77.0	150,200		
15	74.5	133,500	78.0	105,500
20	69.5	65,900	74.0	64,800
25	65.0	41,300	70.0	40,400
30	60.0	28,600	66.5	27,800
35	55.0	20,800	62.5	20,100
40	49.5	15,500	58.5	15,000
45	43.5	11,500	54.5	11,200
50	37.0	8,600	50.0	8,200
55	28.5	6,200	45.0	5,900
60	16.5	4,400	40.0	4,100
65			34.0	2,500
Min.Bm. Ang./Cap.	0.0	3,800	29.0	
Radius (ft)	61.9		68.6	

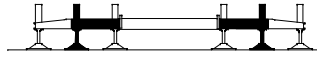
**Not for crane operations**

**This Page Left Blank  
Intentionally**

For sale & use only

Not for crane operations

**Rated Lifting Capacities  
In Pounds**



**Intermediate**

**14,000 lb**

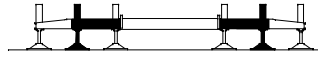


Load Radius (ft)	41.4 ft		55.0 ft		70.0 ft		85.0 ft		100.0 ft	
	$\Delta^\circ$	360°	$\Delta^\circ$	360°	$\Delta^\circ$	360°	$\Delta^\circ$	360°	$\Delta^\circ$	360°
10	69.0	227,400	74.5	77,300	77.5	51,000				
12	66.0	202,700	72.5	77,300	76.5	51,000				
15	61.0	165,500	69.0	77,300	74.0	51,000	76.5	51,200		
20	52.0	84,000	63.0	77,300	69.5	51,000	73.5	51,200	76.0	47,900
25	41.5	52,300	56.5	57,500	65.0	51,000	70.0	51,200	73.5	47,900
30	27.0	35,800	49.5	40,700	60.0	43,500	66.5	44,100	70.5	43,600
35			41.5	30,400	55.0	33,200	62.5	33,900	67.0	34,300
40			32.0	23,400	49.5	26,100	58.0	26,900	63.5	27,300
45			17.5	18,400	43.5	21,000	54.0	21,800	60.5	22,200
50					36.5	17,200	49.5	17,900	56.5	18,400
55					28.0	14,100	44.5	15,000	53.0	15,500
60					15.0	11,700	39.0	12,500	49.0	13,100
65							33.0	10,500	45.0	11,000
70							25.0	8,800	40.5	9,400
75							13.5	7,400	35.5	7,900
80									30.0	6,700
85									23.0	5,700
90									12.0	4,800
Min.Bm. Ang./Cap.	0.0	29,400	0.0	17,200	0.0	11,100	0.0	7,100	0.0	4,500
Radius (ft)	32.8		46.5		61.5		76.5		91.5	

Load Radius (ft)	115.0 ft		130.0 ft		145.0 ft		155.0 ft		162.0 ft	
	$\Delta^\circ$	360°	$\Delta^\circ$	360°	$\Delta^\circ$	360°	$\Delta^\circ$	360°	$\Delta^\circ$	360°
25	76.0	48,100	77.5	37,100						
30	73.5	44,100	75.5	37,100	77.5	32,800				
35	70.5	33,900	73.5	33,600	75.5	32,800	77.0	28,900	77.0	26,100
40	68.0	26,900	71.0	26,600	73.5	25,900	75.0	25,400	75.5	25,200
45	65.0	21,900	68.0	21,600	71.0	20,900	72.5	20,500	73.5	20,200
50	62.0	18,100	65.5	17,800	68.5	17,100	70.5	16,900	71.5	16,700
55	59.0	15,300	63.0	15,000	66.5	14,400	68.5	14,000	69.5	13,700
60	56.0	12,900	60.5	12,700	64.0	12,000	66.0	11,600	67.5	11,400
65	52.5	10,900	57.5	10,700	62.0	10,100	64.0	9,700	65.5	9,500
70	49.0	9,200	55.0	9,100	59.5	8,400	62.0	8,100	63.0	7,800
75	45.5	7,800	52.0	7,600	57.0	7,100	59.5	6,700	61.0	6,500
80	42.0	6,500	49.0	6,400	54.5	5,900	57.5	5,500	59.0	5,300
85	37.5	5,500	46.0	5,300	52.0	4,800	55.0	4,500	56.5	4,300
90	33.0	4,600	42.5	4,400	49.0	3,900	52.5	3,600	54.5	3,400
95	28.0	3,700	39.0	3,600	46.5	3,100	50.0	2,800	52.0	2,600
100	21.5	3,000	35.0	2,900	43.5	2,300	47.5	2,000	49.5	1,800
105	11.0	2,400	31.0	2,200	40.0	1,700	45.0	1,400		
110			26.0	1,700						
Min.Bm. Ang./Cap.	0.0	2,300	20.0		37.0		43.5		47.0	
Radius (ft)	106.5		115.0		110.0		107.5		105.0	

Not for crane operations

**Rated Lifting Capacities  
In Pounds**



**Intermediate**

**14,000 lb**

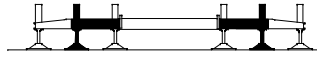


Load Radius (ft)	41.4 ft		55.0 ft		70.0 ft		85.0 ft		100.0 ft	
	$\Delta^\circ$	360°	$\Delta^\circ$	360°	$\Delta^\circ$	360°	$\Delta^\circ$	360°	$\Delta^\circ$	360°
10	69.0	227,400	74.5	77,300	78.0	67,800				
12	66.0	202,700	72.5	77,300	76.5	67,800				
15	61.0	165,500	69.0	77,300	74.0	67,800	77.0	68,100		
20	52.0	84,000	63.0	77,300	69.5	67,800	74.0	66,100	76.5	60,000
25	41.5	52,300	56.5	57,500	65.0	60,000	70.0	58,200	73.5	53,400
30	27.0	35,800	49.5	40,700	60.0	43,300	66.5	44,000	70.5	44,100
35			41.5	30,400	55.0	33,100	62.5	33,700	67.0	33,900
40			32.0	23,400	49.5	25,900	58.0	26,700	64.0	26,900
45			17.5	18,400	43.5	20,800	54.0	21,700	60.5	21,800
50					36.5	17,000	49.5	17,800	57.0	18,000
55					28.0	14,000	44.5	14,800	53.0	15,100
60					15.0	11,500	39.0	12,400	49.0	12,700
65							33.0	10,400	45.0	10,700
70							25.0	8,700	40.5	9,000
75							13.5	7,300	35.5	7,600
80									30.0	6,400
85									23.0	5,300
90									12.0	4,400
Min.Bm. Ang./Cap.	0.0	29,400	0.0	17,200	0.0	10,900	0.0	7,000	0.0	4,200
Radius (ft)	32.8		46.5		61.5		76.5		91.5	

Load Radius (ft)	115.0 ft		130.0 ft		140.0 ft		150.0 ft	
	$\Delta^\circ$	360°	$\Delta^\circ$	360°	$\Delta^\circ$	360°	$\Delta^\circ$	360°
25	76.5	49,300	78.0	45,100				
30	73.5	43,700	76.0	43,100	77.5	37,200	78.0	31,900
35	71.0	33,600	73.5	32,900	75.0	32,400	76.5	31,900
40	68.0	26,600	71.0	26,000	73.0	25,500	74.5	25,100
45	65.0	21,500	68.5	21,000	70.5	20,500	72.0	20,100
50	62.0	17,700	66.0	17,200	68.0	17,000	70.0	16,600
55	59.0	14,900	63.0	14,400	65.5	14,000	67.5	13,600
60	56.0	12,600	60.5	12,100	63.0	11,600	65.5	11,300
65	52.5	10,600	58.0	10,100	60.5	9,700	63.0	9,400
70	49.0	8,900	55.0	8,500	58.0	8,100	61.0	7,700
75	45.5	7,500	52.0	7,100	55.5	6,700	58.5	6,400
80	42.0	6,200	49.0	5,900	53.0	5,500	56.0	5,200
85	38.0	5,200	46.0	4,800	50.5	4,500	53.5	4,100
90	33.0	4,300	43.0	3,900	47.5	3,500	51.0	3,200
95	28.0	3,400	39.0	3,100	44.5	2,700	48.5	2,400
100	21.5	2,700	35.5	2,300	41.0	2,000	45.5	1,700
105	11.5	2,100	31.0	1,700	38.0	1,400		
Min.Bm. Ang./Cap.	0.0	2,000	26.0		36.0		43.0	
Radius (ft)	106.5		110.0		107.5		105.0	

Not for crane operations

**Rated Lifting Capacities  
In Pounds**



**Intermediate**

**14,000 lb**

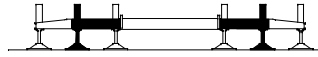


Load Radius (ft)	41.4 ft		55.0 ft		70.0 ft		85.0 ft	
	$\angle$ °	360°	$\angle$ °	360°	$\angle$ °	360°	$\angle$ °	360°
10	69.0	227,400	74.5	73,800	78.0	68,700		
12	66.0	202,700	72.5	73,800	76.5	68,700		
15	61.0	165,500	69.0	73,800	74.0	68,700	77.0	69,100
20	52.0	84,000	63.0	73,800	69.5	68,700	74.0	69,100
25	41.5	52,300	56.5	57,500	65.0	58,900	70.0	58,800
30	27.0	35,800	49.5	40,700	60.0	42,200	66.0	42,200
35			41.5	30,400	55.0	32,100	62.0	32,000
40			32.0	23,400	49.5	25,000	58.0	25,100
45			17.5	18,300	43.5	19,900	53.5	20,100
50					36.5	16,200	49.0	16,400
55					28.0	13,100	44.5	13,400
60					15.0	10,700	39.0	11,000
65							33.0	9,000
70							25.0	7,300
75							13.5	5,900
Min.Bm. Ang./Cap.	0.0	29,400	0.0	17,100	0.0	10,100	0.0	5,600
Radius (ft)	32.8		46.5		61.5		76.5	

Load Radius (ft)	100.0 ft		115.0 ft		124.7 ft	
	$\angle$ °	360°	$\angle$ °	360°	$\angle$ °	360°
20	76.5	61,000				
25	73.5	58,400	76.5	55,300	78.0	51,000
30	70.5	41,800	73.5	41,000	75.5	40,600
35	67.0	31,800	70.5	31,000	72.5	30,600
40	63.5	24,900	68.0	24,200	70.0	23,800
45	60.0	19,900	65.0	19,200	67.5	18,900
50	56.5	16,300	62.0	15,700	64.5	15,300
55	53.0	13,400	59.0	12,800	62.0	12,400
60	49.0	10,900	56.0	10,400	59.0	10,100
65	45.0	8,900	52.5	8,500	56.5	8,200
70	40.5	7,300	49.5	6,800	53.5	6,600
75	35.5	5,900	45.5	5,400	50.0	5,200
80	30.0	4,700	42.0	4,200	47.0	4,000
85	23.0	3,700	38.0	3,200	43.5	2,900
90	12.0	2,800	33.5	2,300	40.0	2,000
95			28.0	1,500		
Min.Bm. Ang./Cap.	0.0	2,500	24.5		36.0	
Radius (ft)	91.5		97.8		95.0	

Not for crane operations

**Rated Lifting Capacities  
In Pounds**



**Intermediate**

**14,000 lb**



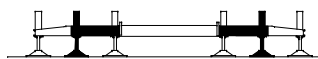
Load Radius (ft)	41.4 ft		55.0 ft		70.0 ft	
	$\Delta^\circ$	360°	$\Delta^\circ$	360°	$\Delta^\circ$	360°
10	69.0	227,400	74.5	73,800	78.0	68,700
12	66.0	202,700	72.5	73,800	76.5	68,700
15	61.0	165,500	69.0	73,800	74.0	68,700
20	52.0	84,000	63.0	73,800	69.5	68,700
25	41.5	52,300	56.5	57,500	65.0	58,900
30	27.0	35,800	49.5	40,700	60.0	42,200
35			41.5	30,400	55.0	32,100
40			32.0	23,400	49.5	25,000
45			17.5	18,300	43.5	19,900
50					36.5	16,200
55					28.0	13,100
60					15.0	10,700
Min.Bm. Ang./Cap.	0.0	29,400	0.0	17,100	0.0	10,100
Radius (ft)	32.8		46.5		61.5	

Load Radius (ft)	85.0 ft		100.0 ft		112.0 ft	
	$\Delta^\circ$	360°	$\Delta^\circ$	360°	$\Delta^\circ$	360°
15	77.0	64,900				
20	74.0	64,900	76.5	65,200	78.5	56,400
25	70.0	58,700	73.5	57,600	76.0	55,500
30	66.0	42,100	70.5	41,100	73.0	40,500
35	62.0	32,000	67.0	31,100	70.0	30,500
40	58.0	25,100	63.5	24,200	67.0	23,700
45	53.5	20,100	60.5	19,300	64.0	18,800
50	49.0	16,300	57.0	15,700	61.0	15,300
55	44.5	13,300	53.0	12,700	58.0	12,400
60	39.0	10,900	49.5	10,300	54.5	10,000
65	33.0	8,900	45.0	8,400	51.5	8,000
70	25.0	7,300	40.5	6,700	48.0	6,400
75	13.5	5,900	36.0	5,300	44.0	5,000
80			30.0	4,100	40.0	3,800
85			23.0	3,100	35.5	2,800
90			12.5	2,200	30.5	1,900
Min.Bm. Ang./Cap.	0.0	5,500	0.0	2,000	24.5	
Radius (ft)	76.5		91.5		94.8	

Not for crane operations



**Rated Lifting Capacities  
In Pounds**



**Intermediate**

**14,000 lb**



Load Radius (ft)	41.4 ft		55.5 ft	
	$\Delta^\circ$	360°	$\Delta^\circ$	360°
10	69.0	227,400	74.5	157,000
12	66.0	202,700	72.5	157,000
15	61.0	165,500	69.5	157,000
20	52.0	84,000	63.0	87,800
25	41.5	52,300	57.0	56,200
30	27.0	35,800	50.0	39,600
35			42.5	29,300
40			33.0	22,400
45			19.5	17,400
Min.Bm. Ang./Cap.	0.0	29,400	0.0	15,700
Radius (ft)	32.8		47.0	

Load Radius (ft)	70.4 ft		86.2 ft	
	$\Delta^\circ$	360°	$\Delta^\circ$	360°
10	78.5	151,100		
12	77.0	150,200		
15	74.5	135,800	78.0	105,500
20	69.5	88,400	74.5	87,200
25	65.0	56,700	70.5	55,700
30	60.0	40,300	66.5	39,400
35	55.0	30,300	62.5	29,500
40	49.5	23,300	58.5	22,800
45	43.5	18,200	54.5	17,900
50	37.0	14,500	50.0	14,200
55	28.5	11,600	45.5	11,200
60	16.5	9,200	40.0	8,900
65			34.0	6,900
70			27.0	5,300
75			17.0	3,900
Min.Bm. Ang./Cap.	0.0	8,400	0.0	3,200
Radius (ft)	61.9		77.7	

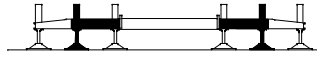
**Not for crane operations**

**This Page Left Blank  
Intentionally**

For sale & use only

Not for crane operations

**Rated Lifting Capacities  
In Pounds**



**Intermediate**

**17,000 lb**

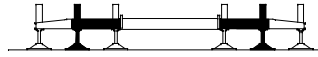


Load Radius (ft)	41.4 ft		55.0 ft		70.0 ft		85.0 ft		100.0 ft	
	$\Delta^\circ$	360°	$\Delta^\circ$	360°	$\Delta^\circ$	360°	$\Delta^\circ$	360°	$\Delta^\circ$	360°
10	69.0	228,100	74.5	77,300	77.5	51,000				
12	66.0	203,500	72.5	77,300	76.5	51,000				
15	61.0	168,000	69.0	77,300	74.0	51,000	76.5	51,200		
20	52.0	88,800	63.0	77,300	69.5	51,000	73.5	51,200	76.0	47,900
25	41.5	55,600	56.5	60,900	65.0	51,000	70.0	51,200	73.5	47,900
30	27.0	38,400	49.5	43,300	60.0	46,000	66.5	46,700	70.5	43,600
35			42.0	32,500	55.0	35,200	62.5	35,800	67.0	36,200
40			32.0	25,100	49.5	27,800	58.0	28,600	64.0	29,000
45			17.5	19,900	43.5	22,400	54.0	23,300	60.5	23,700
50					36.5	18,400	49.5	19,200	57.0	19,700
55					28.0	15,300	44.5	16,100	53.0	16,700
60					15.0	12,700	39.0	13,600	49.0	14,100
65							33.0	11,500	45.0	12,000
70							25.0	9,700	40.5	10,200
75							13.5	8,200	35.5	8,700
80									30.0	7,500
85									23.0	6,400
90									12.0	5,400
Min.Bm. Ang./Cap.	0.0	31,600	0.0	18,600	0.0	12,100	0.0	7,900	0.0	5,200
Radius (ft)	32.8		46.5		61.5		76.5		91.5	

Load Radius (ft)	115.0 ft		130.0 ft		145.0 ft		155.0 ft		162.0 ft	
	$\Delta^\circ$	360°	$\Delta^\circ$	360°	$\Delta^\circ$	360°	$\Delta^\circ$	360°	$\Delta^\circ$	360°
25	76.0	48,100	77.5	37,100						
30	73.5	44,400	75.5	37,100	77.5	32,800				
35	71.0	35,800	73.5	35,500	75.5	32,800	77.0	28,900	77.0	26,100
40	68.0	28,700	71.0	28,400	73.5	27,600	75.0	27,200	76.0	26,100
45	65.0	23,400	68.5	23,100	71.0	22,400	73.0	21,900	73.5	21,700
50	62.0	19,400	65.5	19,100	69.0	18,400	70.5	18,000	71.5	17,700
55	59.0	16,400	63.0	16,200	66.5	15,500	68.5	15,100	69.5	14,900
60	56.0	13,900	60.5	13,700	64.5	13,000	66.5	12,700	67.5	12,400
65	52.5	11,800	58.0	11,700	62.0	11,000	64.0	10,600	65.5	10,400
70	49.0	10,100	55.0	9,900	59.5	9,300	62.0	8,900	63.5	8,700
75	45.5	8,600	52.0	8,400	57.0	7,900	59.5	7,500	61.0	7,300
80	42.0	7,300	49.0	7,200	54.5	6,600	57.5	6,300	59.0	6,000
85	37.5	6,200	46.0	6,000	52.0	5,500	55.0	5,200	57.0	5,000
90	33.0	5,200	42.5	5,100	49.0	4,500	52.5	4,200	54.5	4,000
95	28.0	4,400	39.0	4,200	46.5	3,700	50.0	3,400	52.0	3,200
100	21.5	3,600	35.5	3,500	43.5	2,900	47.5	2,600	50.0	2,400
105	11.5	3,000	31.0	2,800	40.5	2,300	45.0	1,900	47.5	1,700
110			26.0	2,200	37.0	1,600	42.0	1,300		
115			20.0	1,600						
120			10.5	1,200						
Min.Bm. Ang./Cap.	0.0	2,800	0.0	1,100	33.5		41.0		45.0	
Radius (ft)	106.5		121.5		115.0		112.0		110.0	

Not for crane operations

**Rated Lifting Capacities  
In Pounds**



**Intermediate**

**17,000 lb**

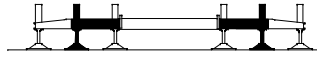


Load Radius (ft)	41.4 ft		55.0 ft		70.0 ft		85.0 ft		100.0 ft	
	$\Delta^\circ$	360°	$\Delta^\circ$	360°	$\Delta^\circ$	360°	$\Delta^\circ$	360°	$\Delta^\circ$	360°
10	69.0	228,100	74.5	77,300	78.0	67,800				
12	66.0	203,500	72.5	77,300	76.5	67,800				
15	61.0	168,000	69.0	77,300	74.0	67,800	77.0	68,100		
20	52.0	88,800	63.0	77,300	69.5	67,800	74.0	66,100	76.5	60,000
25	41.5	55,600	56.5	60,900	65.0	63,400	70.0	58,200	73.5	53,400
30	27.0	38,400	49.5	43,300	60.0	45,800	66.5	46,500	70.5	46,600
35			42.0	32,500	55.0	35,000	62.5	35,700	67.0	35,800
40			32.0	25,100	49.5	27,600	58.0	28,500	64.0	28,600
45			17.5	19,900	43.5	22,300	54.0	23,100	60.5	23,300
50					36.5	18,200	49.5	19,100	57.0	19,300
55					28.0	15,100	44.5	16,000	53.0	16,300
60					15.0	12,600	39.0	13,400	49.5	13,700
65							33.0	11,300	45.0	11,600
70							25.5	9,600	40.5	9,900
75							13.5	8,100	36.0	8,400
80									30.0	7,100
85									23.0	6,000
90									12.5	5,100
Min.Bm. Ang./Cap.	0.0	31,600	0.0	18,600	0.0	12,000	0.0	7,700	0.0	4,800
Radius (ft)	32.8		46.5		61.5		76.5		91.5	

Load Radius (ft)	115.0 ft		130.0 ft		140.0 ft		150.0 ft	
	$\Delta^\circ$	360°	$\Delta^\circ$	360°	$\Delta^\circ$	360°	$\Delta^\circ$	360°
25	76.5	49,300	78.0	45,100				
30	73.5	44,100	76.0	43,200	77.5	37,200	78.0	31,900
35	71.0	35,400	73.5	34,800	75.5	34,500	76.5	31,900
40	68.0	28,300	71.0	27,700	73.0	27,200	74.5	26,800
45	65.0	23,000	68.5	22,500	70.5	22,000	72.0	21,600
50	62.0	19,000	66.0	18,500	68.0	18,000	70.0	17,600
55	59.0	16,100	63.5	15,600	65.5	15,200	67.5	14,800
60	56.0	13,600	60.5	13,100	63.5	12,700	65.5	12,300
65	52.5	11,500	58.0	11,100	61.0	10,700	63.0	10,300
70	49.5	9,700	55.0	9,400	58.5	9,000	61.0	8,600
75	45.5	8,300	52.5	7,900	56.0	7,500	58.5	7,200
80	42.0	7,000	49.5	6,600	53.0	6,300	56.0	5,900
85	38.0	5,900	46.0	5,500	50.5	5,200	53.5	4,800
90	33.5	4,900	43.0	4,500	47.5	4,200	51.0	3,900
95	28.0	4,100	39.5	3,700	44.5	3,300	48.5	3,000
100	21.5	3,300	35.5	2,900	41.5	2,600	46.0	2,300
105	11.5	2,700	31.0	2,300	38.0	1,900	43.0	1,600
110			26.0	1,700	34.0	1,300		
Min.Bm. Ang./Cap.	0.0	2,500	20.0		32.5		40.5	
Radius (ft)	106.5		115.0		112.0		109.1	

Not for crane operations

**Rated Lifting Capacities  
In Pounds**



**Intermediate**

**17,000 lb**

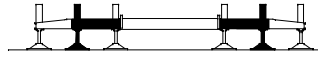


Load Radius (ft)	41.4 ft		55.0 ft		70.0 ft		85.0 ft	
	$\Delta^\circ$	360°	$\Delta^\circ$	360°	$\Delta^\circ$	360°	$\Delta^\circ$	360°
10	69.0	228,100	74.5	73,800	78.0	68,700		
12	66.0	203,500	72.5	73,800	76.5	68,700		
15	61.0	168,000	69.0	73,800	74.0	68,700	77.0	69,100
20	52.0	88,800	63.0	73,800	69.5	68,700	74.0	69,100
25	41.5	55,600	56.5	60,800	65.0	62,300	70.0	62,100
30	27.0	38,400	49.5	43,300	60.0	44,800	66.0	44,700
35			42.0	32,500	55.0	34,200	62.0	34,100
40			32.0	25,100	49.5	26,700	58.0	26,900
45			17.5	19,800	43.5	21,400	54.0	21,600
50					36.5	17,400	49.0	17,600
55					28.0	14,300	44.5	14,500
60					15.0	11,800	39.0	12,000
65							33.0	9,900
70							25.0	8,200
75							13.5	6,700
Min.Bm. Ang./Cap.	0.0	31,600	0.0	18,500	0.0	11,100	0.0	6,400
Radius (ft)	32.8		46.5		61.5		76.5	

Load Radius (ft)	100.0 ft		115.0 ft		124.7 ft	
	$\Delta^\circ$	360°	$\Delta^\circ$	360°	$\Delta^\circ$	360°
20	76.5	61,000				
25	73.5	59,400	76.5	55,300	78.0	51,000
30	70.5	44,400	74.0	43,600	75.5	43,100
35	67.0	33,800	71.0	33,100	73.0	32,700
40	63.5	26,600	68.0	25,900	70.0	25,500
45	60.5	21,400	65.0	20,700	67.5	20,400
50	56.5	17,500	62.0	17,000	64.5	16,600
55	53.0	14,500	59.0	13,900	62.0	13,600
60	49.0	12,000	56.0	11,500	59.0	11,200
65	45.0	9,900	52.5	9,400	56.5	9,200
70	40.5	8,200	49.5	7,700	53.5	7,400
75	35.5	6,700	46.0	6,200	50.5	6,000
80	30.0	5,400	42.0	5,000	47.0	4,700
85	23.0	4,400	38.0	3,900	43.5	3,600
90	12.0	3,400	33.5	2,900	40.0	2,700
95			28.0	2,100	36.0	1,900
100			21.5	1,400		
Min.Bm. Ang./Cap.	0.0	3,200	17.0		31.5	
Radius (ft)	91.5		102.1		100.0	

Not for crane operations

**Rated Lifting Capacities  
In Pounds**



**Intermediate**

**17,000 lb**

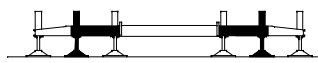


Load Radius (ft)	41.4 ft		55.0 ft		70.0 ft	
	$\Delta^\circ$	360°	$\Delta^\circ$	360°	$\Delta^\circ$	360°
10	69.0	228,100	74.5	73,800	78.0	68,700
12	66.0	203,500	72.5	73,800	76.5	68,700
15	61.0	168,000	69.0	73,800	74.0	68,700
20	52.0	88,800	63.0	73,800	69.5	68,700
25	41.5	55,600	56.5	60,800	65.0	62,300
30	27.0	38,400	49.5	43,300	60.0	44,800
35			42.0	32,500	55.0	34,200
40			32.0	25,100	49.5	26,700
45			17.5	19,800	43.5	21,400
50					36.5	17,400
55					28.0	14,300
60					15.0	11,800
Min.Bm. Ang./Cap.	0.0	31,600	0.0	18,500	0.0	11,100
Radius (ft)	32.8		46.5		61.5	

Load Radius (ft)	85.0 ft		100.0 ft		112.0 ft	
	$\Delta^\circ$	360°	$\Delta^\circ$	360°	$\Delta^\circ$	360°
15	77.0	64,900				
20	74.0	64,900	76.5	65,200	78.5	56,400
25	70.0	62,000	73.5	60,900	76.0	55,500
30	66.0	44,600	70.5	43,600	73.0	43,000
35	62.0	34,000	67.0	33,100	70.0	32,600
40	58.0	26,800	64.0	25,900	67.0	25,400
45	54.0	21,500	60.5	20,800	64.0	20,300
50	49.0	17,500	57.0	17,000	61.0	16,600
55	44.5	14,500	53.0	13,900	58.0	13,500
60	39.0	11,900	49.5	11,400	55.0	11,100
65	33.0	9,900	45.0	9,300	51.5	9,000
70	25.0	8,100	40.5	7,600	48.0	7,300
75	13.5	6,700	36.0	6,100	44.0	5,800
80			30.0	4,900	40.0	4,600
85			23.0	3,800	35.5	3,500
90			12.5	2,900	30.5	2,500
95					24.5	1,700
Min.Bm. Ang./Cap.	0.0	6,300	0.0	2,600	17.5	
Radius (ft)	76.5		91.5		99.2	

Not for crane operations

**Rated Lifting Capacities  
In Pounds**



**Intermediate**

**17,000 lb**



Load Radius (ft)	41.4 ft		55.5 ft	
	$\Delta^\circ$	360°	$\Delta^\circ$	360°
10	69.0	228,100	74.5	157,000
12	66.0	203,500	72.5	157,000
15	61.0	168,000	69.5	157,000
20	52.0	88,800	63.5	92,700
25	41.5	55,600	57.0	59,500
30	27.0	38,400	50.0	42,100
35			42.5	31,400
40			33.0	24,100
45			19.5	18,800
Min.Bm. Ang./Cap.	0.0	31,600	0.0	17,200
Radius (ft)	32.8		47.0	

Load Radius (ft)	70.4 ft		86.2 ft	
	$\Delta^\circ$	360°	$\Delta^\circ$	360°
10	78.5	151,100		
12	77.0	150,200		
15	74.5	135,800	78.0	105,500
20	69.5	93,300	74.5	89,800
25	65.0	60,000	70.5	59,100
30	60.0	42,800	66.5	42,000
35	55.0	32,300	62.5	31,600
40	49.5	25,000	58.5	24,500
45	43.5	19,700	54.5	19,300
50	37.0	15,800	50.0	15,500
55	28.5	12,700	45.5	12,400
60	16.5	10,200	40.0	9,900
65			34.5	7,900
70			27.0	6,100
75			17.0	4,700
Min.Bm. Ang./Cap.	0.0	9,400	0.0	4,000
Radius (ft)	61.9		77.7	

**Not for crane operations**

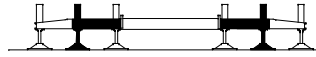
**This Page Left Blank  
Intentionally**

For sales use only

Not for crane operations



**Rated Lifting Capacities  
In Pounds**



**Intermediate**

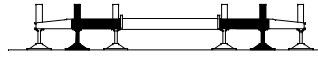
**26,000 lb**



Load Radius (ft)	41.4 ft		55.0 ft		70.0 ft		85.0 ft		100.0 ft	
	$\Delta^\circ$	360°	$\Delta^\circ$	360°	$\Delta^\circ$	360°	$\Delta^\circ$	360°	$\Delta^\circ$	360°
10	69.0	230,300	74.5	77,300	77.5	51,000				
12	66.0	205,400	72.5	77,300	76.5	51,000				
15	61.0	175,000	69.0	77,300	74.0	51,000	76.5	51,200		
20	52.0	103,100	63.0	77,300	69.5	51,000	73.5	51,200	76.0	47,900
25	41.5	65,400	56.5	70,500	65.0	51,000	70.0	51,200	73.5	47,900
30	27.0	45,800	49.5	50,700	60.0	51,000	66.5	51,200	70.5	43,600
35			42.0	38,400	55.0	41,200	62.5	41,800	67.5	39,300
40			32.0	30,100	49.5	32,800	58.5	33,600	64.0	34,000
45			17.5	24,100	43.5	26,700	54.0	27,600	60.5	28,000
50					36.5	22,100	49.5	23,000	57.0	23,500
55					28.0	18,600	44.5	19,400	53.5	19,900
60					15.0	15,800	39.0	16,600	49.5	17,100
65							33.0	14,200	45.5	14,700
70							25.5	12,200	41.0	12,800
75							13.5	10,600	36.0	11,100
80									30.0	9,600
85									23.0	8,400
90									12.5	7,300
Min.Bm. Ang./Cap.	0.0	38,100	0.0	22,700	0.0	13,900	0.0	10,200	0.0	7,000
Radius (ft)	32.8		46.5		61.5		76.5		91.5	

Load Radius (ft)	115.0 ft		130.0 ft		145.0 ft		155.0 ft		162.0 ft	
	$\Delta^\circ$	360°	$\Delta^\circ$	360°	$\Delta^\circ$	360°	$\Delta^\circ$	360°	$\Delta^\circ$	360°
25	76.0	48,100	77.5	37,100						
30	73.5	44,400	75.5	37,100	77.5	32,800				
35	71.0	40,100	73.5	36,000	75.5	32,800	77.0	28,900	77.0	26,100
40	68.0	33,600	71.5	32,700	74.0	32,600	75.5	28,900	76.0	26,100
45	65.5	27,700	68.5	27,400	71.5	26,600	73.5	26,200	74.0	26,000
50	62.5	23,100	66.0	22,900	69.5	22,200	71.0	21,700	72.0	21,500
55	59.0	19,600	63.5	19,400	67.0	18,700	69.0	18,300	70.0	18,000
60	56.0	17,000	61.0	16,700	64.5	16,100	67.0	15,700	68.0	15,400
65	53.0	14,600	58.0	14,400	62.0	13,800	64.5	13,400	66.0	13,100
70	49.5	12,600	55.5	12,500	60.0	11,800	62.5	11,500	63.5	11,200
75	46.0	10,900	52.5	10,800	57.5	10,200	60.0	9,800	61.5	9,600
80	42.0	9,500	49.5	9,300	55.0	8,800	58.0	8,400	59.5	8,200
85	38.0	8,200	46.5	8,100	52.0	7,500	55.5	7,200	57.0	7,000
90	33.5	7,100	43.0	7,000	49.5	6,400	53.0	6,100	55.0	5,900
95	28.0	6,200	39.5	6,000	46.5	5,500	50.5	5,200	52.5	5,000
100	21.5	5,300	35.5	5,200	44.0	4,600	48.0	4,300	50.0	4,100
105	11.5	4,600	31.0	4,400	40.5	3,800	45.0	3,500	47.5	3,300
110			26.5	3,700	37.5	3,200	42.5	2,900	45.0	2,700
115			20.0	3,100	33.5	2,500	39.5	2,200	42.5	2,000
120			10.5	2,500	29.5	2,000	36.0	1,700	39.5	1,500
125					25.0	1,500	32.5	1,200		
Min.Bm. Ang./Cap.	0.0	4,400	0.0	2,400	20.0		31.5		37.0	
Radius (ft)	106.5		121.5		129.0		126.0		124.0	

**Rated Lifting Capacities  
In Pounds**



**Intermediate**

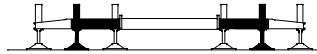
**26,000 lb**



Load Radius (ft)	41.4 ft		55.0 ft		70.0 ft		85.0 ft		100.0 ft	
	$\Delta^\circ$	360°	$\Delta^\circ$	360°	$\Delta^\circ$	360°	$\Delta^\circ$	360°	$\Delta^\circ$	360°
10	69.0	230,300	74.5	77,300	78.0	67,800				
12	66.0	205,400	72.5	77,300	76.5	67,800				
15	61.0	175,000	69.0	77,300	74.0	67,800	77.0	68,100		
20	52.0	103,100	63.0	77,300	69.5	67,800	74.0	66,100	76.5	60,000
25	41.5	65,400	56.5	70,500	65.0	66,900	70.0	58,200	73.5	53,400
30	27.0	45,800	49.5	50,700	60.0	53,100	66.5	51,700	70.5	47,700
35			42.0	38,400	55.0	41,000	62.5	41,600	67.5	41,700
40			32.0	30,100	49.5	32,600	58.5	33,400	64.0	33,600
45			17.5	24,100	43.5	26,600	54.0	27,400	60.5	27,600
50					36.5	22,000	49.5	22,800	57.0	23,100
55					28.0	18,400	44.5	19,200	53.5	19,500
60					15.0	15,600	39.0	16,400	49.5	16,700
65							33.0	14,100	45.5	14,400
70							25.5	12,100	41.0	12,400
75							13.5	10,400	36.0	10,700
80									30.5	9,300
85									23.5	8,000
90									12.5	7,000
Min.Bm. Ang./Cap.	0.0	38,100	0.0	22,700	0.0	14,900	0.0	10,000	0.0	6,700
Radius (ft)	32.8		46.5		61.5		76.5		91.5	

Load Radius (ft)	115.0 ft		130.0 ft		140.0 ft		150.0 ft	
	$\Delta^\circ$	360°	$\Delta^\circ$	360°	$\Delta^\circ$	360°	$\Delta^\circ$	360°
25	76.5	49,300	78.0	45,100				
30	73.5	44,100	76.0	43,200	77.5	37,200	78.0	31,900
35	71.0	39,800	74.0	39,100	75.5	37,200	76.5	31,900
40	68.5	33,300	71.5	32,700	73.5	32,200	75.0	31,800
45	65.5	27,300	69.0	26,700	71.0	26,300	72.5	25,900
50	62.5	22,800	66.5	22,300	68.5	21,800	70.5	21,400
55	59.5	19,300	63.5	18,800	66.0	18,300	68.0	17,900
60	56.0	16,600	61.0	16,100	63.5	15,700	66.0	15,300
65	53.0	14,300	58.0	13,800	61.0	13,400	63.5	13,100
70	49.5	12,300	55.5	11,900	58.5	11,500	61.5	11,100
75	46.0	10,600	52.5	10,200	56.0	9,900	59.0	9,500
80	42.0	9,200	49.5	8,800	53.5	8,400	56.5	8,100
85	38.0	7,900	46.5	7,500	50.5	7,200	54.0	6,900
90	33.5	6,800	43.0	6,400	48.0	6,100	51.5	5,800
95	28.0	5,900	39.5	5,500	45.0	5,100	49.0	4,800
100	21.5	5,000	35.5	4,600	41.5	4,300	46.0	4,000
105	11.5	4,300	31.5	3,900	38.0	3,500	43.0	3,200
110			26.5	3,200	34.5	2,800	40.0	2,500
115			20.5	2,600	30.5	2,200	37.0	1,900
120			11.0	2,000	25.5	1,600	33.5	1,300
Min.Bm. Ang./Cap.	0.0	4,100	0.0	1,900	19.5		32.0	
Radius (ft)	106.5		121.5		125.0		122.0	

**Rated Lifting Capacities  
In Pounds**



**Intermediate**

**26,000 lb**

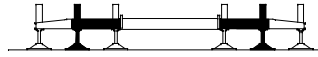


Load Radius (ft)	41.4 ft		55.0 ft		70.0 ft		85.0 ft	
	$\Delta^\circ$	360°	$\Delta^\circ$	360°	$\Delta^\circ$	360°	$\Delta^\circ$	360°
10	69.0	230,300	74.5	73,800	78.0	68,700		
12	66.0	205,400	72.5	73,800	76.5	68,700		
15	61.0	175,000	69.0	73,800	74.0	68,700	77.0	69,100
20	52.0	103,100	63.0	73,800	70.0	68,700	74.0	69,100
25	41.5	65,400	56.5	70,500	65.0	68,700	70.0	69,100
30	27.0	45,800	49.5	50,600	60.0	52,100	66.0	52,100
35			42.0	38,300	55.0	40,000	62.5	39,900
40			32.0	30,100	49.5	31,700	58.0	31,900
45			17.5	24,100	43.5	25,700	54.0	25,900
50					36.5	21,100	49.5	21,300
55					28.0	17,600	44.5	17,800
60					15.0	14,800	39.0	15,000
65							33.0	12,700
70							25.5	10,700
75							13.5	9,100
Min.Bm. Ang./Cap.	0.0	38,100	0.0	22,700	0.0	14,100	0.0	8,600
Radius (ft)	32.8		46.5		61.5		76.5	

Load Radius (ft)	100.0 ft		115.0 ft		124.7 ft	
	$\Delta^\circ$	360°	$\Delta^\circ$	360°	$\Delta^\circ$	360°
20	76.5	61,000				
25	73.5	59,400	76.5	55,300	78.0	51,000
30	70.5	51,800	74.0	49,400	75.5	45,400
35	67.0	39,600	71.0	38,900	73.0	38,400
40	64.0	31,600	68.0	30,900	70.5	30,500
45	60.5	25,700	65.5	25,000	67.5	24,600
50	57.0	21,300	62.5	20,600	65.0	20,200
55	53.0	17,700	59.5	17,200	62.5	17,000
60	49.5	15,000	56.0	14,500	59.5	14,200
65	45.0	12,600	53.0	12,200	56.5	11,900
70	41.0	10,700	49.5	10,200	53.5	10,000
75	36.0	9,000	46.0	8,600	50.5	8,300
80	30.0	7,600	42.0	7,100	47.5	6,900
85	23.0	6,400	38.0	5,900	44.0	5,700
90	12.5	5,300	33.5	4,800	40.5	4,600
95			28.5	3,900	36.5	3,600
100			21.5	3,000	32.0	2,800
105			11.5	2,300	27.0	2,000
110					20.5	1,400
Min.Bm. Ang./Cap.	0.0	5,000	0.0	2,100	15.5	
Radius (ft)	91.5		106.5		112.5	

Not for crane operations

**Rated Lifting Capacities  
In Pounds**



**Intermediate**

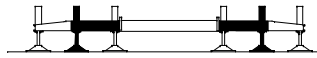
**26,000 lb**



Load Radius (ft)	41.4 ft		55.0 ft		70.0 ft	
	$\Delta^\circ$	360°	$\Delta^\circ$	360°	$\Delta^\circ$	360°
10	69.0	230,300	74.5	73,800	78.0	68,700
12	66.0	205,400	72.5	73,800	76.5	68,700
15	61.0	175,000	69.0	73,800	74.0	68,700
20	52.0	103,100	63.0	73,800	70.0	68,700
25	41.5	65,400	56.5	70,500	65.0	68,700
30	27.0	45,800	49.5	50,600	60.0	52,100
35			42.0	38,300	55.0	40,000
40			32.0	30,100	49.5	31,700
45			17.5	24,100	43.5	25,700
50					36.5	21,100
55					28.0	17,600
60					15.0	14,800
Min. Bm. Ang./Cap.	0.0	38,100	0.0	22,700	0.0	14,100
Radius (ft)	32.8		46.5		61.5	

Load Radius (ft)	85.0 ft		100.0 ft		112.0 ft	
	$\Delta^\circ$	360°	$\Delta^\circ$	360°	$\Delta^\circ$	360°
15	77.0	64,900				
20	74.0	64,900	76.5	65,200	78.5	56,400
25	70.0	64,900	74.0	65,200	76.0	55,500
30	66.0	52,000	70.5	51,000	73.5	48,900
35	62.0	39,800	67.5	38,900	70.5	38,400
40	58.0	31,800	64.0	30,900	67.5	30,400
45	54.0	25,800	60.5	25,100	64.5	24,600
50	49.5	21,300	57.0	20,600	61.5	20,100
55	44.5	17,700	53.5	17,300	58.0	16,900
60	39.0	14,900	49.5	14,400	55.0	14,100
65	33.0	12,600	45.5	12,100	51.5	11,700
70	25.5	10,600	41.0	10,100	48.0	9,800
75	13.5	9,000	36.0	8,500	44.5	8,100
80			30.5	7,000	40.5	6,700
85			23.5	5,800	36.0	5,500
90			12.5	4,800	31.0	4,400
95					25.0	3,500
100					17.0	2,600
Min. Bm. Ang./Cap.	0.0	8,600	0.0	4,500	0.0	2,100
Radius (ft)	76.5		91.5		103.5	

**Rated Lifting Capacities  
In Pounds**



**Intermediate**

**26,000 lb**



Load Radius (ft)	41.4 ft		55.5 ft	
	$\Delta^\circ$	360°	$\Delta^\circ$	360°
10	69.0	230,300	74.5	157,000
12	66.0	205,400	72.5	157,000
15	61.0	175,000	69.5	157,000
20	52.0	103,100	63.5	106,900
25	41.5	65,400	57.0	69,300
30	27.0	45,800	50.0	49,500
35			42.5	37,300
40			33.0	29,100
45			19.5	23,100
Min.Bm. Ang./Cap.	0.0	38,100	0.0	21,200
Radius (ft)	32.8		47.0	

Load Radius (ft)	70.4 ft		86.2 ft	
	$\Delta^\circ$	360°	$\Delta^\circ$	360°
10	78.5	151,100		
12	77.0	150,200		
15	74.5	135,800	78.0	105,500
20	70.0	107,500	74.5	89,800
25	65.0	69,700	70.5	68,800
30	60.0	50,200	67.0	49,400
35	55.0	38,200	63.0	37,400
40	49.5	30,000	59.0	29,500
45	44.0	24,000	54.5	23,600
50	37.0	19,500	50.0	19,100
55	29.0	16,100	45.5	15,700
60	16.5	13,200	40.5	12,900
65			34.5	10,600
70			27.0	8,700
75			17.0	7,000
Min.Bm. Ang./Cap.	0.0	12,300	0.0	6,300
Radius (ft)	61.9		77.7	

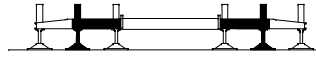
**Not for crane operations**

**This Page Left Blank  
Intentionally**

For sales use only

Not for crane operations

**Rated Lifting Capacities  
In Pounds**



**Intermediate**

**29,000 lb**

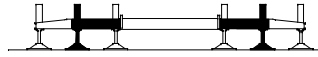


Load Radius (ft)	41.4 ft		55.0 ft		70.0 ft		85.0 ft		100.0 ft	
	$\Delta^\circ$	360°	$\Delta^\circ$	360°	$\Delta^\circ$	360°	$\Delta^\circ$	360°	$\Delta^\circ$	360°
10	69.0	231,000	74.5	77,300	77.5	51,000				
12	66.0	206,000	72.5	77,300	76.5	51,000				
15	61.0	176,600	69.0	77,300	74.0	51,000	76.5	51,200		
20	52.0	107,800	63.0	77,300	69.5	51,000	73.5	51,200	76.0	47,900
25	41.5	68,600	56.5	73,800	65.0	51,000	70.0	51,200	73.5	47,900
30	27.0	48,200	49.5	53,100	60.0	51,000	66.5	51,200	70.5	43,600
35			42.0	40,400	55.0	43,100	62.5	43,800	67.5	39,300
40			32.5	31,800	49.5	34,500	58.5	35,100	64.0	35,500
45			17.5	25,600	43.5	28,200	54.0	29,000	60.5	29,400
50					36.5	23,400	49.5	24,200	57.0	24,700
55					28.0	19,700	44.5	20,500	53.5	21,000
60					15.0	16,800	39.0	17,500	49.5	18,000
65							33.0	15,100	45.5	15,700
70							25.5	13,100	41.0	13,600
75							13.5	11,300	36.0	11,800
80									30.5	10,300
85									23.0	9,100
90									12.5	7,900
Min.Bm. Ang./Cap.	0.0	40,300	0.0	24,100	0.0	13,900	0.0	10,900	0.0	7,700
Radius (ft)	32.8		46.5		61.5		76.5		91.5	

Load Radius (ft)	115.0 ft		130.0 ft		145.0 ft		155.0 ft		162.0 ft	
	$\Delta^\circ$	360°	$\Delta^\circ$	360°	$\Delta^\circ$	360°	$\Delta^\circ$	360°	$\Delta^\circ$	360°
25	76.0	48,100	77.5	37,100						
30	73.5	44,400	75.5	37,100	77.5	32,800				
35	71.0	40,100	73.5	36,000	75.5	32,800	77.0	28,900	77.0	26,100
40	68.5	35,100	71.5	32,700	74.0	32,800	75.5	28,900	76.0	26,100
45	65.5	29,100	69.0	28,800	72.0	28,100	73.5	27,600	74.5	26,100
50	62.5	24,400	66.0	24,100	69.5	23,400	71.5	23,000	72.5	22,700
55	59.5	20,700	63.5	20,500	67.0	19,800	69.0	19,400	70.0	19,100
60	56.0	17,800	61.0	17,500	64.5	17,100	67.0	16,700	68.0	16,500
65	53.0	15,500	58.0	15,300	62.5	14,700	64.5	14,300	66.0	14,100
70	49.5	13,400	55.5	13,300	60.0	12,700	62.5	12,300	64.0	12,100
75	46.0	11,700	52.5	11,500	57.5	11,000	60.0	10,600	61.5	10,400
80	42.0	10,200	49.5	10,000	55.0	9,500	58.0	9,200	59.5	8,900
85	38.0	8,900	46.5	8,700	52.5	8,200	55.5	7,900	57.5	7,700
90	33.5	7,700	43.0	7,600	49.5	7,100	53.0	6,700	55.0	6,600
95	28.0	6,700	39.5	6,600	47.0	6,100	50.5	5,800	52.5	5,600
100	21.5	5,900	35.5	5,700	44.0	5,200	48.0	4,900	50.5	4,700
105	11.5	5,100	31.5	4,900	40.5	4,400	45.5	4,100	48.0	3,900
110			26.5	4,200	37.5	3,700	42.5	3,400	45.0	3,200
115			20.0	3,600	33.5	3,000	39.5	2,700	42.5	2,500
120			10.5	3,000	29.5	2,400	36.0	2,100	39.5	1,900
125					25.0	1,900	32.5	1,600	36.5	1,400
130					19.0	1,400				
Min.Bm. Ang./Cap.	0.0	4,900	0.0	2,900	12.5		29.0		34.5	
Radius (ft)	106.5		121.5		133.7		130.0		128.0	

Not for crane operations

**Rated Lifting Capacities  
In Pounds**



**Intermediate**

**29,000 lb**

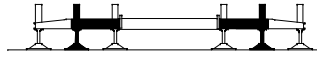


Load Radius (ft)	41.4 ft		55.0 ft		70.0 ft		85.0 ft		100.0 ft	
	$\Delta^\circ$	360°	$\Delta^\circ$	360°	$\Delta^\circ$	360°	$\Delta^\circ$	360°	$\Delta^\circ$	360°
10	69.0	231,000	74.5	77,300	78.0	67,800				
12	66.0	206,000	72.5	77,300	76.5	67,800				
15	61.0	176,600	69.0	77,300	74.0	67,800	77.0	68,100		
20	52.0	107,800	63.0	77,300	69.5	67,800	74.0	66,100	76.5	60,000
25	41.5	68,600	56.5	73,800	65.0	66,900	70.0	58,200	73.5	53,400
30	27.0	48,200	49.5	53,100	60.0	55,600	66.5	51,700	70.5	47,700
35			42.0	40,400	55.0	43,000	62.5	43,600	67.5	43,100
40			32.5	31,800	49.5	34,300	58.5	35,000	64.0	35,100
45			17.5	25,600	43.5	28,000	54.0	28,900	60.5	29,000
50					36.5	23,200	49.5	24,100	57.0	24,300
55					28.0	19,500	44.5	20,300	53.5	20,600
60					15.0	16,600	39.5	17,400	49.5	17,600
65							33.0	15,000	45.5	15,300
70							25.5	12,900	41.0	13,200
75							13.5	11,200	36.0	11,500
80									30.5	10,000
85									23.5	8,700
90									12.5	7,600
Min.Bm. Ang./Cap.	0.0	40,300	0.0	24,100	0.0	15,300	0.0	10,800	0.0	7,300
Radius (ft)	32.8		46.5		61.5		76.5		91.5	

Load Radius (ft)	115.0 ft		130.0 ft		140.0 ft		150.0 ft	
	$\Delta^\circ$	360°	$\Delta^\circ$	360°	$\Delta^\circ$	360°	$\Delta^\circ$	360°
25	76.5	49,300	78.0	45,100				
30	73.5	44,100	76.0	43,200	77.5	37,200	78.0	31,900
35	71.0	39,800	74.0	39,100	75.5	37,200	76.5	31,900
40	68.5	34,800	71.5	34,300	73.5	33,900	75.0	31,900
45	65.5	28,700	69.0	28,200	71.0	27,700	73.0	27,300
50	62.5	24,100	66.5	23,500	68.5	23,100	70.5	22,700
55	59.5	20,400	63.5	19,900	66.0	19,400	68.0	19,000
60	56.0	17,500	61.0	17,100	64.0	16,700	66.0	16,400
65	53.0	15,200	58.5	14,700	61.5	14,300	63.5	14,000
70	49.5	13,100	55.5	12,700	59.0	12,300	61.5	12,000
75	46.0	11,400	52.5	11,000	56.0	10,600	59.0	10,300
80	42.0	9,900	49.5	9,500	53.5	9,100	56.5	8,800
85	38.0	8,600	46.5	8,200	50.5	7,800	54.0	7,500
90	33.5	7,400	43.0	7,100	48.0	6,700	51.5	6,400
95	28.5	6,400	39.5	6,100	45.0	5,700	49.0	5,400
100	21.5	5,600	36.0	5,200	41.5	4,800	46.0	4,500
105	11.5	4,800	31.5	4,400	38.5	4,000	43.5	3,700
110			26.5	3,700	34.5	3,300	40.0	3,000
115			20.5	3,000	30.5	2,700	37.0	2,400
120			11.0	2,500	25.5	2,100	33.5	1,800
125					20.0	1,600	29.5	1,300
Min.Bm. Ang./Cap.	0.0	4,600	0.0	2,300	10.5		27.5	
Radius (ft)	106.5		121.5		130.0		127.0	



**Rated Lifting Capacities  
In Pounds**



**Intermediate**

**29,000 lb**

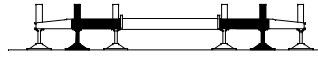


Load Radius (ft)	41.4 ft		55.0 ft		70.0 ft		85.0 ft	
	$\Delta^\circ$	360°	$\Delta^\circ$	360°	$\Delta^\circ$	360°	$\Delta^\circ$	360°
10	69.0	231,000	74.5	73,800	78.0	68,700		
12	66.0	206,000	72.5	73,800	76.5	68,700		
15	61.0	176,600	69.0	73,800	74.0	68,700	77.0	69,100
20	52.0	107,800	63.0	73,800	70.0	68,700	74.0	69,100
25	41.5	68,600	56.5	73,700	65.0	68,700	70.0	69,100
30	27.0	48,200	49.5	53,000	60.0	54,500	66.5	54,400
35			42.0	40,300	55.0	42,000	62.5	41,900
40			32.5	31,800	49.5	33,400	58.0	33,500
45			17.5	25,500	43.5	27,100	54.0	27,300
50					36.5	22,400	49.5	22,600
55					28.0	18,700	44.5	18,900
60					15.0	15,800	39.0	16,000
65							33.0	13,600
70							25.5	11,600
75							13.5	9,800
Min.Bm. Ang./Cap.	0.0	40,300	0.0	24,000	0.0	15,000	0.0	9,400
Radius (ft)	32.8		46.5		61.5		76.5	

Load Radius (ft)	100.0 ft		115.0 ft		124.7 ft	
	$\Delta^\circ$	360°	$\Delta^\circ$	360°	$\Delta^\circ$	360°
20	76.5	61,000				
25	73.5	59,400	76.5	55,300	78.0	51,000
30	70.5	52,800	74.0	49,400	75.5	45,400
35	67.5	41,600	71.0	40,800	73.5	40,400
40	64.0	33,300	68.5	32,500	70.5	32,200
45	60.5	27,100	65.5	26,400	68.0	26,100
50	57.0	22,500	62.5	21,800	65.0	21,500
55	53.5	18,800	59.5	18,200	62.5	17,900
60	49.5	16,000	56.5	15,500	59.5	15,200
65	45.5	13,600	53.0	13,100	56.5	12,800
70	41.0	11,500	49.5	11,100	53.5	10,800
75	36.0	9,800	46.0	9,300	50.5	9,100
80	30.0	8,300	42.5	7,900	47.5	7,600
85	23.0	7,000	38.0	6,600	44.0	6,300
90	12.5	5,900	33.5	5,500	40.5	5,200
95			28.5	4,500	36.5	4,200
100			22.0	3,600	32.0	3,400
105			11.5	2,800	27.0	2,600
110					20.5	1,900
115					10.5	1,300
Min.Bm. Ang./Cap.	0.0	5,700	0.0	2,600	0.0	1,100
Radius (ft)	91.5		106.5		116.2	

Not for crane operations

**Rated Lifting Capacities  
In Pounds**



**Intermediate**

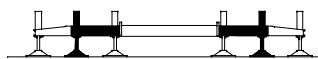
**29,000 lb**



Load Radius (ft)	41.4 ft		55.0 ft		70.0 ft	
	$\Delta^\circ$	360°	$\Delta^\circ$	360°	$\Delta^\circ$	360°
10	69.0	231,000	74.5	73,800	78.0	68,700
12	66.0	206,000	72.5	73,800	76.5	68,700
15	61.0	176,600	69.0	73,800	74.0	68,700
20	52.0	107,800	63.0	73,800	70.0	68,700
25	41.5	68,600	56.5	73,700	65.0	68,700
30	27.0	48,200	49.5	53,000	60.0	54,500
35			42.0	40,300	55.0	42,000
40			32.5	31,800	49.5	33,400
45			17.5	25,500	43.5	27,100
50					36.5	22,400
55					28.0	18,700
60					15.0	15,800
Min.Bm. Ang./Cap.	0.0	40,300	0.0	24,000	0.0	15,000
Radius (ft)	32.8		46.5		61.5	

Load Radius (ft)	85.0 ft		100.0 ft		112.0 ft	
	$\Delta^\circ$	360°	$\Delta^\circ$	360°	$\Delta^\circ$	360°
15	77.0	64,900				
20	74.0	64,900	76.5	65,200	78.5	56,400
25	70.0	64,900	74.0	65,200	76.0	55,500
30	66.5	54,300	70.5	53,300	73.5	48,900
35	62.5	41,800	67.5	40,900	70.5	40,400
40	58.0	33,400	64.0	32,600	67.5	32,100
45	54.0	27,200	60.5	26,500	64.5	26,000
50	49.5	22,500	57.0	21,900	61.5	21,400
55	44.5	18,800	53.5	18,200	58.5	17,800
60	39.0	16,000	49.5	15,400	55.0	15,100
65	33.0	13,500	45.5	13,000	51.5	12,700
70	25.5	11,500	41.0	11,000	48.0	10,600
75	13.5	9,800	36.0	9,200	44.5	8,900
80			30.5	7,800	40.5	7,400
85			23.5	6,500	36.0	6,200
90			12.5	5,400	31.0	5,100
95					25.0	4,100
100					17.0	3,200
Min.Bm. Ang./Cap.	0.0	9,300	0.0	5,100	0.0	2,700
Radius (ft)	76.5		91.5		103.5	

**Rated Lifting Capacities  
In Pounds**



**Intermediate**

**29,000 lb**

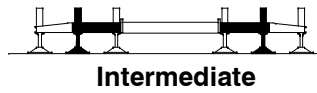


Load Radius (ft)	41.4 ft		55.5 ft	
	$\Delta^\circ$	360°	$\Delta^\circ$	360°
10	69.0	231,000	74.5	157,000
12	66.0	206,000	72.5	157,000
15	61.0	176,600	69.5	157,000
20	52.0	107,800	63.5	111,700
25	41.5	68,600	57.0	72,400
30	27.0	48,200	50.0	52,000
35			42.5	39,300
40			33.0	30,700
45			19.5	24,600
Min.Bm. Ang./Cap.	0.0	40,300	0.0	22,600
Radius (ft)	32.8		47.0	

Load Radius (ft)	70.4 ft		86.2 ft	
	$\Delta^\circ$	360°	$\Delta^\circ$	360°
10	78.5	151,100		
12	77.0	150,200		
15	74.5	135,800	78.0	105,500
20	70.0	112,200	74.5	89,800
25	65.0	72,900	70.5	71,900
30	60.5	52,600	67.0	51,800
35	55.0	40,200	63.0	39,400
40	50.0	31,600	59.0	31,100
45	44.0	25,400	54.5	25,100
50	37.0	20,800	50.5	20,400
55	29.0	17,200	45.5	16,900
60	16.5	14,200	40.5	13,900
65			34.5	11,500
70			27.5	9,500
75			17.5	7,800
Min.Bm. Ang./Cap.	0.0	13,300	0.0	7,000
Radius (ft)	61.9		77.7	

**Not for crane operations**

**Rated Lifting Capacities  
In Pounds**



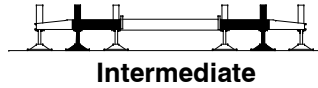
**29,000 lb**



Boom Length (ft)	41.4	55.0	70.0	85.0	100.0	115.0	130.0	145.0	155.0	162.0										
Load Radius (ft)	<p style="text-align: center;"><b>10.0 ft Offset Fly</b></p>																			
10	51,800	51,800																		
12	47,300	51,800	48,600																	
15	46,400	46,800	48,600	48,600																
20	45,200	45,700	45,200	44,000	45,100															
25	44,600	44,800	44,500	43,400	41,200	38,300	28,900													
30	44,600	44,400	43,900	43,000	39,200	38,300	28,900	25,600	22,400											
35	40,100	42,300	41,300	41,300	35,200	36,400	28,900	25,600	22,400											
40	31,600	33,800	35,100	35,300	32,200	33,200	28,900	25,600	22,400	20,000										
45		27,600	28,900	29,200	29,300	28,800	27,300	25,600	22,400	20,000										
50		22,900	24,200	24,400	24,600	24,100	23,800	23,000	22,400	20,000										
55		19,200	20,500	20,700	20,900	20,400	20,100	19,300	18,900	18,600										
60			17,600	17,800	17,900	17,500	17,100	16,600	16,200	16,000										
65			15,200	15,500	15,600	15,200	14,900	14,200	13,800	13,600										
70			13,200	13,400	13,600	13,200	12,900	12,200	11,800	11,600										
75				11,700	11,900	11,500	11,200	10,500	10,100	9,900										
80				10,200	10,400	10,000	9,700	9,000	8,700	8,400										
85				8,900	9,100	8,700	8,400	7,800	7,400	7,100										
90					8,000	7,600	7,300	6,700	6,300	6,000										
95					7,000	6,600	6,300	5,700	5,300	5,100										
100					6,100	5,700	5,500	4,800	4,400	4,200										
105						4,900	4,700	4,000	3,600	3,400										
110						4,200	4,000	3,300	3,000	2,700										
115						3,600	3,300	2,700	2,300	2,100										
120							2,700	2,100	1,700	1,500										
125							2,200	1,600	1,200											
130							1,700													
Min. Bm. Ang./Cap.	0	27,800	0	18,300	0	10,600	0	8,600	0	5,900	0	3,500	0	1,600	29.0		38.0		42.0	
Radius (ft)	42.8		56.5		71.5		86.5		101.5		116.5		131.5		130.0		126.0		124.0	

Not for crane operations

**Rated Lifting Capacities  
In Pounds**



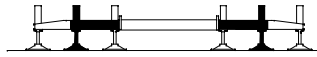
**29,000 lb**



Boom Length (ft)	41.4	55.0	70.0	85.0	100.0	115.0	130.0	140.0	150.0									
Load Radius (ft)	<p><b>10.0 ft Offset Fly</b> Offset 2°, 15°, 30°, 45°</p>																	
10	51,800	51,800																
12	47,300	51,800	51,800															
15	46,400	46,800	51,500	51,800														
20	45,200	45,700	45,400	44,400	48,000													
25	44,600	44,800	44,700	43,700	42,400	41,600	36,300											
30	44,600	44,400	44,100	43,200	41,800	40,000	36,300	29,900	25,400									
35	40,100	42,300	43,600	40,800	37,800	36,100	34,100	29,900	25,400									
40	31,600	33,800	34,900	35,100	34,500	33,000	32,200	29,900	25,400									
45		27,600	28,800	29,000	28,900	28,500	27,900	27,400	25,400									
50		22,900	24,100	24,300	24,200	23,800	23,200	22,700	22,300									
55		19,200	20,400	20,600	20,500	20,100	19,500	19,000	18,600									
60			17,400	17,700	17,600	17,200	16,800	16,300	15,900									
65			15,100	15,400	15,300	14,900	14,400	13,900	13,500									
70			13,000	13,300	13,300	12,900	12,400	11,900	11,500									
75				11,600	11,600	11,200	10,700	10,200	9,800									
80				10,100	10,100	9,700	9,200	8,800	8,400									
85				8,800	8,800	8,500	7,900	7,500	7,100									
90					7,700	7,300	6,800	6,400	6,000									
95					6,700	6,300	5,800	5,400	5,000									
100					5,800	5,500	5,000	4,500	4,200									
105						4,700	4,200	3,800	3,400									
110						4,000	3,500	3,100	2,700									
115						3,300	2,800	2,400	2,100									
120							2,200	1,800	1,500									
125							1,700	1,300										
130							1,200											
Min.Bm. Ang./Cap.	0	27,800	0	18,300	0	11,500	0	8,500	0	5,600	0	3,200	0	1,200	27.5		36.5	
Radius (ft)	42.8	56.5	71.5	86.5	101.5	116.5	131.5	127.0	124.0									

Not for crane operations

**Rated Lifting Capacities  
In Pounds**



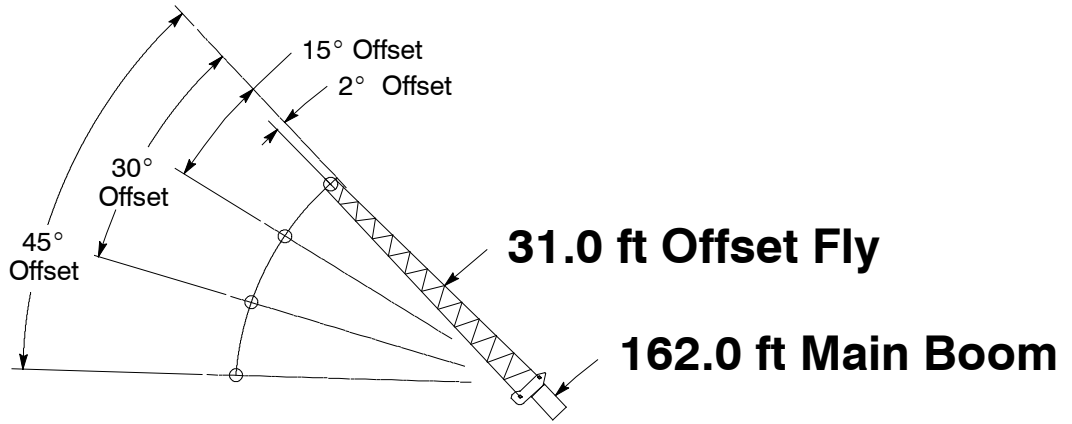
**Intermediate**

**29,000 lb**



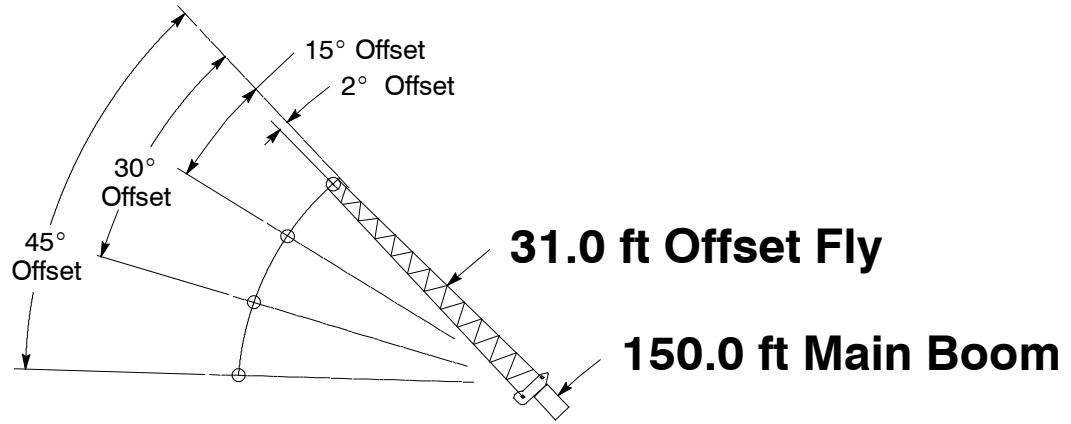
Boom Length (ft)	41.4		55.0		70.0		85.0		100.0		115.0		124.7	
Load Radius (ft)	<p><b>10.0 ft Offset Fly</b> Offset 2°, 15°, 30°, 45°</p>													
10	51,800		51,800											
12	47,300		51,800		51,800									
15	46,400		46,800		51,800		51,800							
20	45,200		45,700		46,000		45,800		51,800					
25	44,600		44,900		45,100		45,000		44,300		50,700		43,400	
30	44,600		44,400		44,500		44,400		43,800		42,800		41,600	
35	40,100		42,300		42,800		42,300		41,300		40,100		37,300	
40	31,600		33,700		34,200		33,900		33,400		32,600		32,100	
45			27,600		28,000		27,700		27,200		26,400		26,000	
50			22,800		23,300		23,000		22,500		21,800		21,300	
55			19,200		19,700		19,300		18,900		18,100		17,700	
60					16,800		16,500		16,100		15,400		15,000	
65					14,400		14,100		13,700		13,000		12,600	
70					12,300		12,100		11,700		11,000		10,700	
75							10,400		10,000		9,300		9,000	
80							8,900		8,600		7,900		7,500	
85							7,600		7,300		6,600		6,300	
90									6,200		5,500		5,200	
95									5,200		4,500		4,200	
100									4,300		3,700		3,300	
105											2,900		2,600	
110											2,200		1,900	
115											1,500		1,200	
Min. Bm. Ang./Cap.	0	27,800	0	18,300	0	11,800	0	7,300	0	4,100	0	1,400	25.0	
Radius (ft)	42.8		56.5		71.5		86.5		101.5		116.5		116.0	

**Not for crane operations**



Load Radius (ft)		2° Offset		15° Offset		30° Offset		45° Offset	
		$\Delta^\circ$	360°	$\Delta^\circ$	360°	$\Delta^\circ$	360°	$\Delta^\circ$	360°
35		79.0	14,600						
40		78.0	14,600						
45		77.0	14,600	79.0	14,600				
50		75.5	14,600	78.0	14,600				
55		74.5	14,600	76.5	14,600	78.5	14,300		
60		73.0	14,600	75.5	14,600	77.5	14,100	79.0	13,200
65		71.5	13,900	74.0	14,600	76.0	14,000	77.5	13,100
70		70.0	11,900	72.0	12,800	74.5	13,800	76.5	13,100
75		68.0	10,200	70.5	11,100	73.0	12,000	74.5	12,700
80		66.0	8,700	68.5	9,500	71.0	10,300	73.0	11,000
85		64.5	7,400	66.5	8,200	69.0	8,900	71.0	9,500
90		62.5	6,300	65.0	7,000	67.0	7,700	69.0	8,200
95		60.5	5,300	63.0	6,000	65.0	6,600	67.0	7,100
100		59.0	4,500	61.0	5,000	63.0	5,600	65.0	6,000
105		57.0	3,700	59.0	4,200	61.0	4,700	62.5	5,100
110		55.0	3,000	57.0	3,500	59.0	3,900	60.5	4,300
115		53.0	2,300	55.0	2,800	57.0	3,200	58.5	3,500
120		51.0	1,800	53.0	2,200	55.0	2,600	56.5	2,800
125		49.0	1,200	51.0	1,600	53.0	2,000	54.0	2,200
130						50.5	1,400	51.5	1,600
Min.Bm. Ang./Cap.		48.5		49.0		49.5		49.5	
Radius (ft)		126.3		130.0		133.0		135.0	
Maximum Boom Length At 0° Boom Angle (ft)		116							

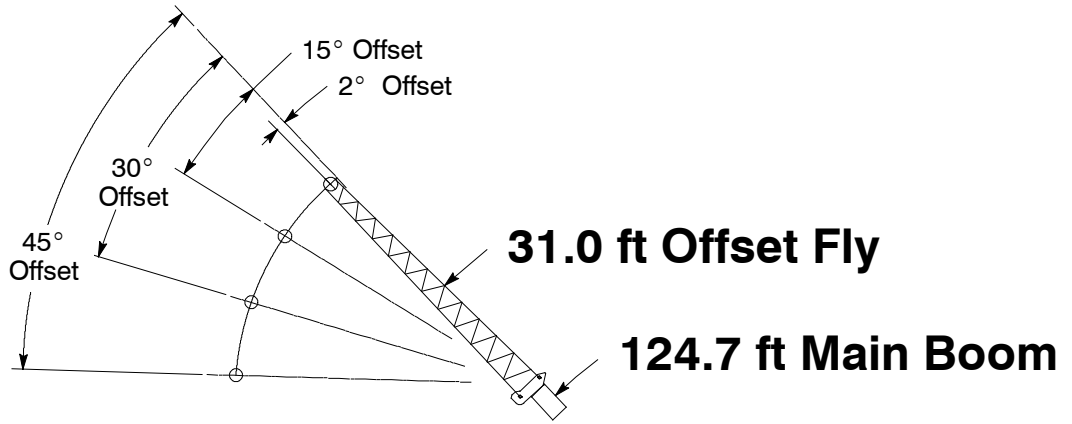
Not for crane operations

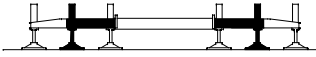




Rated Lifting Capacities In Pounds		Intermediate		29,000 lb		EM 2		
		2° Offset		15° Offset		30° Offset		45° Offset
Load Radius (ft)	∠ °	360°	∠ °	360°	∠ °	360°	∠ °	360°
	35	79.0	17,600					
40	77.5	17,600						
45	76.0	17,600	78.5	17,300				
50	75.0	17,600	77.0	17,000	79.0	15,300		
55	73.5	17,600	75.5	16,700	77.5	15,000	79.5	13,900
60	72.0	16,400	74.0	16,400	76.5	14,800	78.0	13,700
65	70.0	14,000	72.5	15,000	74.5	14,600	76.5	13,600
70	68.0	12,000	70.5	12,900	73.0	13,900	75.0	13,500
75	66.0	10,200	68.5	11,100	71.0	12,000	73.0	12,700
80	64.0	8,800	66.5	9,600	69.0	10,400	71.0	11,000
85	62.0	7,500	64.5	8,200	67.0	8,900	69.0	9,500
90	60.0	6,400	62.5	7,100	65.0	7,700	66.5	8,200
95	58.0	5,400	60.5	6,000	63.0	6,600	64.5	7,100
100	56.0	4,500	58.5	5,100	60.5	5,600	62.5	6,000
105	54.0	3,700	56.5	4,300	58.5	4,800	60.0	5,100
110	52.0	3,000	54.0	3,500	56.5	4,000	58.0	4,300
115	49.5	2,400	52.0	2,900	54.0	3,300	55.5	3,500
120	47.5	1,800	49.5	2,200	51.5	2,600	53.0	2,800
125	45.0	1,300	47.5	1,700	49.5	2,000	50.5	2,200
130			45.0	1,200	47.0	1,500	47.5	1,600
Min.Bm. Ang./Cap.	44.0		44.5		45.0		45.0	
Radius (ft)	127.0		131.0		133.3		135.0	
Maximum Boom Length At 0° Boom Angle (ft)					114			

Not for crane operations





Rated Lifting Capacities In Pounds		 <b>Intermediate</b>				 <b>29,000 lb</b>			
		2° Offset		15° Offset		30° Offset		45° Offset	
Load Radius (ft)	∠ °	360°	∠ °	360°	∠ °	360°	∠ °	360°	
	30	78.5	28,100						
35	77.0	27,000	79.0	20,400					
40	75.5	26,000	77.5	20,400					
45	73.5	24,900	75.5	19,300	78.0	16,600			
50	71.5	22,200	74.0	18,700	76.0	16,300	78.5	14,700	
55	69.5	18,600	72.0	18,200	74.5	15,900	76.5	14,500	
60	67.0	15,900	70.0	17,100	72.5	15,600	74.5	14,300	
65	65.0	13,500	67.5	14,500	70.5	15,300	72.5	14,100	
70	62.5	11,500	65.5	12,400	68.5	13,400	70.5	14,000	
75	60.5	9,700	63.0	10,600	66.0	11,500	68.0	12,200	
80	58.0	8,300	61.0	9,100	63.5	9,800	65.5	10,400	
85	56.0	7,000	58.5	7,700	61.0	8,400	63.0	8,900	
90	53.5	5,900	56.0	6,600	58.5	7,200	60.5	7,600	
95	51.0	4,900	53.5	5,500	56.0	6,100	57.5	6,500	
100	48.5	4,100	51.0	4,600	53.5	5,100	55.0	5,400	
105	45.5	3,300	48.5	3,800	50.5	4,200	52.0	4,500	
110	43.0	2,600	45.5	3,000	47.5	3,400	49.0	3,600	
115	40.0	2,000	42.5	2,400	44.5	2,700	45.5	2,800	
120	37.0	1,400	39.5	1,700	41.5	2,000			
125					37.5	1,400			
Min.Bm. Ang./Cap.	35.0		36.0		35.5		36.0		
Radius (ft)	123.0		125.0		127.5		127.5		
Maximum Boom Length At 0° Boom Angle (ft)	103								

Not for crane operations

**This Page Left Blank  
Intentionally**

For sale & use only



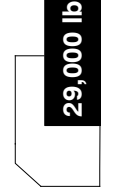
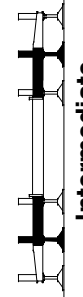
Not for crane operations

Rated Lifting Capacities In Pounds		10.0' Hydraulic Offset Fly										EM 1	29,000 lb	360°	
		Intermediate													
Load Radius (ft)	Boom Length (ft)										155.0	162.0			
	41.4	55.0	70.0	85.0	100.0	115.0	130.0	145.0	155.0	162.0					
10	51,800														
12	47,200	51,800	48,600												
15	46,200	46,700	48,600	48,600											
20	45,000	45,500	45,100	43,900	45,100										
25	44,400	44,700	44,300	43,300	41,100	38,100									
30	43,800	44,200	43,800	42,800	38,800	38,100	28,800								
35	39,800	41,900	40,900	40,900	34,800	36,000	28,800	25,400							
40	31,200	33,400	34,700	34,900	31,800	32,800	28,800	25,400	22,300						
45		27,200	28,600	28,800	28,900	28,500	26,900	25,400	22,300						
50		22,500	23,900	24,100	24,200	23,700	23,400	22,600	22,200						
55		18,800	20,200	20,400	20,500	20,000	19,700	19,000	18,500						
60			17,300	17,400	17,500	17,300	16,900	16,200	15,800						
65			14,800	15,100	15,200	14,800	14,500	13,800	13,400						
70			12,800	13,100	13,200	12,800	12,500	11,800	11,400						
75				11,300	11,500	11,100	10,800	10,100	9,700						
80				9,800	10,000	9,600	9,300	8,600	8,300						
85				8,600	8,700	8,300	8,000	7,400	7,000						
90					7,600	7,200	6,900	6,300	5,900						
95					6,600	6,200	5,900	5,300	4,900						
100					5,700	5,300	5,100	4,400	4,000						
105						4,600	4,300	3,600	3,300						
110							3,800	2,900	2,600						
115							3,200	2,300	1,900						
120								2,300	1,300						
125								1,800							
130								1,300							
Min. Bm. Ang./Cap.	0 / 27,500	0 / 17,900	0 / 10,100	0 / 8,300	0 / 5,500	0 / 3,100	0 / 1,300	32.5 / 0	40.5 / 0						
Radius (ft)	42.8	56.5	71.5	86.5	101.5	116.5	131.5	126.0	122.0						

Not for crane operations

Rated Lifting Capacities In Pounds		10.0' Hydraulic Offset Fly										EM 2	29,000 lb	360°	
		Intermediate													
Load Radius (ft)	Boom Length (ft)										150.0				
	41.4	55.0	70.0	85.0	100.0	115.0	130.0	140.0	150.0	150.0					
10	51,800														
12	47,200	51,800	51,800												
15	46,200	46,700	51,300	51,800											
20	45,000	45,500	45,300	44,200	47,800										
25	44,400	44,700	44,500	43,600	42,200	41,400									
30	43,800	44,200	43,900	43,100	41,400	39,600	29,800								
35	39,800	41,900	43,200	40,500	37,400	35,700	29,800	25,300							
40	31,200	33,400	34,700	34,800	34,300	32,600	29,800	25,300							
45		27,200	28,400	28,700	28,600	28,100	27,000	25,300							
50		22,500	23,700	23,900	23,800	23,400	22,300	21,900							
55		18,800	20,000	20,200	20,100	19,700	18,700	18,200							
60			17,100	17,300	17,200	17,000	15,900	15,500							
65			14,700	15,000	14,900	14,500	13,500	13,100							
70			12,700	12,900	12,900	12,500	11,500	11,100							
75				11,200	11,200	10,800	9,800	9,400							
80				9,700	9,700	9,300	8,400	8,000							
85				8,400	8,400	8,100	7,500	6,700							
90					7,300	7,000	6,400	5,600							
95					6,300	6,000	5,400	4,600							
100					5,400	5,100	4,600	3,800							
105						4,300	3,800	3,000							
110						3,600	3,100	2,300							
115						2,900	2,400	1,700							
120							1,800	1,400							
125															
Min. Bm. Ang./Cap.	0 / 27,500	0 / 17,900	0 / 11,100	0 / 8,100	0 / 5,200	0 / 2,800	16.0 / 0	31.5 / 0	39.5 / 0						
Radius (ft)	42.8	56.5	71.5	86.5	101.5	116.5	126.5	123.0	120.0						

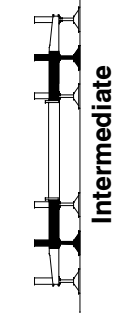
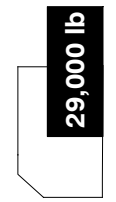
Not for crane operations

Rated Lifting Capacities In Pounds		10.0' Hydraulic Offset Fly							    Intermediate
		Boom Length (ft)							
Load Radius (ft)	41.4	55.0	70.0	85.0	100.0	115.0	124.7		
10	51,800	51,800							
12	47,200	51,800	51,800						
15	46,200	46,700	51,800	51,800					
20	45,000	45,500	45,800	45,600	51,800				
25	44,400	44,700	45,000	44,900	44,200	50,300	43,300		
30	43,800	44,200	44,400	44,300	43,600	42,700	41,200		
35	39,800	41,900	42,400	42,000	40,900	39,700	36,900		
40	31,200	33,400	33,900	33,500	33,000	32,200	31,700		
45		27,200	27,700	27,300	26,800	26,000	25,600		
50		22,500	23,000	22,600	22,200	21,400	21,000		
55		18,800	19,300	19,000	18,500	17,800	17,300		
60			16,400	16,200	15,800	15,000	14,600		
65			14,000	13,700	13,400	12,600	12,300		
70			12,000	11,700	11,300	10,600	10,300		
75				10,000	9,700	8,900	8,600		
80				8,500	8,200	7,500	7,100		
85				7,200	6,900	6,200	5,900		
90					5,800	5,100	4,800		
95					4,800	4,200	3,800		
100					3,900	3,300	2,900		
105						2,500	2,200		
110						1,800	1,500		
Min.Bm. Ang./Cap.	0 / 27,500	0 / 17,900	0 / 11,500	0 / 6,900	0 / 3,700	7.5 / 0	29.0 / 0		
Radius (ft)	42.8	56.5	71.5	86.5	101.5	114.0	112.9		

Not for crane operations

# Rated Lifting Capacities In Pounds

## 31.0' Hydraulic Offset Fly

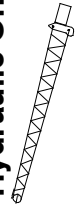


Load Radius (ft)	Boom Length (ft)																				
	41.4				70.3				100.0				130.6				162.0				
	2-15	15-30	30-45		2-15	15-30	30-45		2-15	15-30	30-45		2-15	15-30	30-45		2-15	15-30	30-45		
15	26,300	26,300			33,900				23,200				18,300								
20	23,800	23,800			25,100	25,100			22,300	23,200			18,300	18,300							
25	20,500	17,800	17,800		23,500	23,500			16,900	16,900	16,900		17,900	18,300	15,900	15,900					
30	19,000	16,800	15,300		20,700	17,700	17,700		16,000	23,200	17,000	17,000		17,600	15,600	15,600	15,600				
35	17,700	15,900	14,700		19,700	17,000	15,200		15,600	16,900	15,200	14,300		17,200	15,300	14,000	14,000	14,400			
40	16,600	15,200	14,000		18,700	16,400	14,800		15,300	16,500	14,800	14,000		16,900	15,100	13,800	14,400	14,400	14,400		
45	15,700	14,600	13,400		17,900	15,800	14,500		16,000	16,000	14,500	14,500		16,600	14,800	13,600	14,400	14,400	14,400		
50	14,900	14,200	13,000		17,100	15,300	14,000		15,600	15,600	14,300	14,300		15,000	14,600	13,400	13,600	13,600	13,600	13,800	12,700
55	14,300	13,800	12,800		16,400	14,900	13,600		15,300	14,400	13,600	13,100		14,000	13,900	13,100	13,100	11,500	11,500	12,500	12,600
60	13,900	13,700	12,800		15,800	14,500	13,300		15,000	14,400	13,300	12,900		16,700	14,800	13,600	13,600	14,400	14,400	13,900	12,900
65					15,300	14,200	13,000		14,700	14,400	13,400	12,900		16,100	14,600	13,400	13,400	13,600	13,600	13,800	12,700
70					14,400	14,000	12,800		14,400	14,400	13,100	12,900		14,000	13,900	13,100	13,100	11,500	11,500	12,500	12,600
75					12,600	13,100	12,700		12,900	12,900	12,700	12,900		12,300	12,000	12,800	12,800	9,800	9,800	10,700	11,700
80					11,100	11,500	11,800		11,400	11,400	11,800	11,900		10,800	10,500	11,200	11,200	8,400	8,400	9,200	10,000
85					9,900	10,100	10,200		10,000	10,000	10,200	10,500		9,500	9,100	9,800	9,800	7,100	7,100	7,900	8,600
90					8,700	8,600			8,800	8,800		9,200		8,400	8,000	8,500	8,500	6,000	6,000	6,700	7,400
95									7,800	7,800		8,100		7,400	6,900	7,400	7,400	5,000	5,000	5,600	6,300
100									6,800	6,800		7,100		6,500	6,000	6,400	6,400	4,100	4,100	4,700	5,300
105									6,000	6,000		6,200		5,700	5,200	5,500	5,500	3,300	3,300	3,900	4,400
110									5,200	5,200		5,300		5,000	4,400	4,800	4,800	2,600	2,600	3,100	3,600
115									4,400	4,400		4,500		4,400	3,700	4,000	4,000	2,000	2,000	2,500	2,900
120									3,700	3,700				3,800	3,100	3,400	3,400	1,400	1,400	1,900	2,300
125														2,300	2,500	2,800	2,800			1,300	1,700
130														1,800	2,000	2,200	2,200				
135														1,300	1,500	1,700	1,700				
Min. Bm. Ang./Cap.	0/13,700	0/13,700	0/12,800		0/6,100	0/6,100	0/6,400		0/3,600	0/3,600	0/3,700	0/3,700		0/3,600	29.5 / 0	29.5 / 0	29.5 / 0	51.0 / 0	51.0 / 0	51.5 / 0	52.0 / 0
Radius (ft)	64.0	64.0	62.9		92.9	92.7	91.2		122.6	122.3	120.5	120.5		122.6	140.0	140.0	140.0	123.0	123.0	127.0	130.0

Not for crane operations

### 31.0' Hydraulic Offset Fly

Rated Lifting Capacities  
In Pounds



29,000 lb

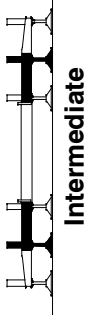
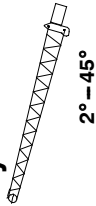


Load Radius (ft) Offset In °	Boom Length (ft)														
	41.4			67.3			94.0			121.6			150.0		
	2-15	15-30	30-45	2-15	15-30	30-45	2-15	15-30	30-45	2-15	15-30	30-45	2-15	15-30	30-45
15	26,300	26,300		34,400			30,200			19,800					
20	23,800	23,800		25,200	25,200		23,600			19,300					
25	20,500	17,800	17,800	23,500	23,500		22,500	23,600		19,800	19,800				
30	19,000	16,800	15,300	22,000	17,700	17,700	22,500	22,500		19,800	19,800	19,800			
35	17,700	15,900	14,700	19,600	16,900	15,200	21,500	17,100	17,100	19,300	19,300	19,300	17,400		
40	16,600	15,200	14,000	18,700	16,300	14,800	19,200	16,600	14,900	18,800	18,800	16,400	17,300	17,300	
45	15,700	14,600	13,400	17,800	15,700	14,400	18,500	16,100	14,600	18,300	18,300	16,100	17,000	17,000	
50	14,900	14,200	13,000	17,000	15,200	13,900	17,900	15,700	14,300	17,900	17,900	15,700	16,700	15,000	15,000
55	14,300	13,800	12,800	16,300	14,800	13,500	17,300	15,300	14,000	17,400	17,400	15,400	16,500	14,800	13,600
60	13,900	13,700	12,800	15,700	14,400	13,200	16,800	15,000	13,700	17,000	17,000	15,100	16,100	14,600	13,400
65				15,100	14,100	13,000	16,000	14,700	13,400	15,100	15,100	14,800	13,600	14,400	13,200
70				14,300	13,900	12,800	14,000	14,400	13,100	13,000	13,000	13,900	11,600	12,600	13,000
75				12,600	13,000	12,800	12,300	12,900	12,900	11,300	11,300	12,000	9,900	10,800	11,700
80				11,100	11,400	11,700	10,800	11,300	11,800	9,800	9,800	10,500	8,400	9,300	10,100
85				9,800	10,000		9,500	9,900	10,400	8,500	8,500	9,100	7,200	7,900	8,700
90							8,300	8,800	9,100	7,400	7,400	8,000	6,100	6,700	7,400
95							7,300	7,700	8,000	6,400	6,400	6,900	5,100	5,700	6,300
100							6,500	6,800	7,000	5,500	5,500	6,000	4,200	4,800	5,300
105							5,700	5,900	6,000	4,700	4,700	5,200	3,400	3,900	4,500
110							5,000	5,100		4,000	4,000	4,400	2,700	3,200	3,700
115							4,400	4,400		3,400	3,400	3,700	2,100	2,500	2,900
120										2,800	2,800	3,100	1,500	1,900	2,300
125										2,300	2,300	2,500	1,300	1,300	1,700
130										1,800	1,800	2,000			
135										1,400	1,400	1,500			
Min. Bm. Ang./Cap.	0/13,700	0/13,700	0/12,800	0/6,900	0/7,000	0/7,200	0/4,200	0/4,300	0/4,400	19.5/0	20.5/0	20.5/0	47.5/0	48.0/0	48.0/0
Radius (ft)	64.0	64.0	62.9	89.9	89.7	88.2	116.6	116.3	114.6	138.8	139.2	135.8	124.0	127.0	130.0

Not for crane operations

### 31.0' Hydraulic Offset Fly

**Rated Lifting Capacities  
In Pounds**



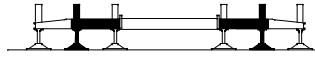
29,000 lb



Load Radius (ft)	Boom Length (ft)														
	41.4			54.6			68.7			96.3			124.7		
	2-15	15-30	30-45	2-15	15-30	30-45	2-15	15-30	30-45	2-15	15-30	30-45	2-15	15-30	30-45
15	26,300	26,300		27,100	27,100		34,700								
20	23,800	23,800		24,800	24,800		25,600	25,600							
25	20,500	17,800	17,800	18,300	18,300	18,300	23,800	23,800							
30	19,000	16,800	15,300	17,400	17,400	15,500	22,300	17,900	17,900						
35	17,700	15,900	14,700	16,600	16,600	15,000	20,000	17,100	15,300						
40	16,600	15,200	14,000	15,900	15,900	14,600	19,000	16,500	14,900						
45	15,700	14,600	13,400	15,300	15,300	14,000	18,100	15,900	14,500						
50	14,900	14,200	13,000	14,800	14,800	13,600	17,200	15,400	14,100						
55	14,300	13,800	12,800	14,400	14,400	13,200	16,500	15,000	13,600						
60	13,900	13,700	12,800	14,100	14,100	12,900	15,900	14,600	13,300						
65				13,800	13,800	12,800	15,300	14,300	13,000						
70				13,900	13,800	12,800	13,800	14,000	12,900						
75				12,200	12,400		12,100	12,500	12,800						
80							10,600	10,900	11,300						
85							9,300	9,600	8,200						
90							8,200	8,300	7,100						
95								6,100	6,100						
100								5,200	5,200						
105								4,500	4,500						
110								3,800	3,800						
115								3,100	3,100						
120															
Min. Bm. Ang./Cap.	0/13,700	0/13,700	0/12,800	0/10,500	0/10,700	0/11,200	0/8,000	0/8,100	0/8,400	0/2,800	0/2,800	0/2,800	0/2,900	39.0/0	39.0/0
Radius (ft)	64.0	64.0	62.9	77.2	77.1	75.8	91.3	91.1	89.6	118.9	118.6	116.9	122.5	120.0	125.0



**Rated Lifting Capacities  
In Pounds**



**Intermediate**

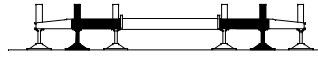
**43,000 lb**



Load Radius (ft)	41.4 ft		55.0 ft		70.0 ft		85.0 ft		100.0 ft	
	$\Delta^\circ$	360°	$\Delta^\circ$	360°	$\Delta^\circ$	360°	$\Delta^\circ$	360°	$\Delta^\circ$	360°
10	69.0	234,300	74.5	77,300	77.5	51,000				
12	66.0	209,100	72.5	77,300	76.5	51,000				
15	61.0	179,300	69.0	77,300	74.0	51,000	76.5	51,200		
20	52.0	130,100	63.0	77,300	69.5	51,000	73.5	51,200	76.0	47,900
25	41.5	83,700	57.0	77,300	65.0	51,000	70.0	51,200	73.5	47,900
30	27.0	59,700	50.0	64,600	60.0	51,000	66.5	51,200	70.5	43,600
35			42.0	49,600	55.0	49,600	62.5	46,700	67.5	39,300
40			32.5	39,500	49.5	42,100	58.5	42,300	64.0	35,600
45			17.5	32,200	43.5	34,700	54.5	35,600	61.0	32,500
50					37.0	29,300	50.0	30,100	57.5	29,800
55					28.5	24,900	45.0	25,700	54.0	26,200
60					15.5	21,400	39.5	22,200	50.0	22,700
65							33.0	19,300	45.5	19,800
70							25.5	17,000	41.0	17,400
75							14.0	15,000	36.0	15,500
80									30.5	13,700
85									23.5	12,200
90									12.5	10,900
Min.Bm. Ang./Cap.	0.0	50,400	0.0	26,500	0.0	13,900	0.0	11,800	0.0	9,400
Radius (ft)	32.8		46.5		61.5		76.5		91.5	

Load Radius (ft)	115.0 ft		130.0 ft		145.0 ft		155.0 ft		162.0 ft	
	$\Delta^\circ$	360°	$\Delta^\circ$	360°	$\Delta^\circ$	360°	$\Delta^\circ$	360°	$\Delta^\circ$	360°
25	76.0	48,100	77.5	37,100						
30	73.5	44,400	75.5	37,100	77.5	32,800				
35	71.0	40,100	73.5	36,000	75.5	32,800	77.0	28,900	77.0	26,100
40	68.5	36,500	71.5	32,700	74.0	32,800	75.5	28,900	76.0	26,100
45	65.5	33,300	69.0	29,800	72.0	31,500	73.5	28,900	74.5	26,100
50	63.0	30,300	66.5	27,300	70.0	28,900	72.0	27,200	72.5	26,100
55	59.5	26,000	64.0	25,200	67.5	25,000	70.0	24,600	71.0	24,100
60	56.5	22,500	61.5	22,200	65.5	21,600	67.5	21,200	69.0	20,900
65	53.5	19,600	58.5	19,400	63.0	18,700	65.5	18,400	66.5	18,100
70	50.0	17,200	56.0	17,200	60.5	16,600	63.0	16,200	64.5	16,000
75	46.5	15,300	53.0	15,200	58.0	14,600	61.0	14,200	62.5	14,000
80	42.5	13,600	50.0	13,400	55.5	12,900	58.5	12,500	60.0	12,300
85	38.5	12,000	47.0	11,900	53.0	11,400	56.0	11,000	58.0	10,800
90	34.0	10,700	43.5	10,600	50.0	10,000	53.5	9,700	55.5	9,500
95	28.5	9,500	40.0	9,400	47.5	8,800	51.0	8,500	53.5	8,300
100	22.0	8,500	36.0	8,300	44.5	7,800	48.5	7,500	51.0	7,300
105	12.0	7,600	31.5	7,400	41.0	6,900	46.0	6,600	48.5	6,400
110			26.5	6,600	38.0	6,000	43.0	5,700	46.0	5,500
115			20.5	5,800	34.0	5,300	40.0	5,000	43.0	4,800
120			11.0	5,200	30.0	4,600	36.5	4,300	40.0	4,100
125					25.5	4,000	33.0	3,700	37.0	3,500
130					19.5	3,400	29.5	3,100	34.0	2,900
135					10.5	2,900	25.0	2,600	30.0	2,400
140							19.0	2,100	26.0	1,900
145							10.5	1,700	21.0	1,400
Min.Bm. Ang./Cap.	0.0	7,400	0.0	5,000	0.0	2,800	0.0	1,600	16.0	
Radius (ft)	106.5		121.5		136.5		146.5		148.7	

**Rated Lifting Capacities  
In Pounds**



**Intermediate**

**43,000 lb**

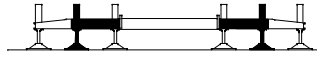


Load Radius (ft)	41.4 ft		55.0 ft		70.0 ft		85.0 ft		100.0 ft	
	$\Delta^\circ$	360°	$\Delta^\circ$	360°	$\Delta^\circ$	360°	$\Delta^\circ$	360°	$\Delta^\circ$	360°
10	69.0	234,300	74.5	77,300	78.0	67,800				
12	66.0	209,100	72.5	77,300	76.5	67,800				
15	61.0	179,300	69.0	77,300	74.0	67,800	77.0	68,100		
20	52.0	130,100	63.0	77,300	69.5	67,800	74.0	66,100	76.5	60,000
25	41.5	83,700	57.0	77,300	65.0	66,900	70.0	58,200	73.5	53,400
30	27.0	59,700	50.0	64,600	60.5	59,800	66.5	51,700	70.5	47,700
35			42.0	49,600	55.5	52,100	62.5	46,400	67.5	43,100
40			32.5	39,500	49.5	42,000	58.5	42,100	64.5	39,300
45			17.5	32,200	43.5	34,700	54.5	35,400	61.0	35,600
50					37.0	29,100	50.0	29,900	57.5	30,200
55					28.5	24,700	45.0	25,600	54.0	25,800
60					15.5	21,300	39.5	22,100	50.0	22,300
65							33.5	19,200	45.5	19,400
70							25.5	16,900	41.0	17,200
75							14.0	14,800	36.5	15,100
80									30.5	13,400
85									23.5	11,900
90									12.5	10,500
Min.Bm. Ang./Cap.	0.0	50,400	0.0	26,500	0.0	15,300	0.0	12,900	0.0	10,200
Radius (ft)	32.8		46.5		61.5		76.5		91.5	

Load Radius (ft)	115.0 ft		130.0 ft		140.0 ft		150.0 ft	
	$\Delta^\circ$	360°	$\Delta^\circ$	360°	$\Delta^\circ$	360°	$\Delta^\circ$	360°
25	76.5	49,300	78.0	45,100				
30	73.5	44,100	76.0	43,200	77.5	37,200	78.0	31,900
35	71.0	39,800	74.0	39,100	75.5	37,200	76.5	31,900
40	68.5	36,100	71.5	35,700	73.5	34,900	75.0	31,900
45	65.5	33,000	69.5	32,700	71.5	32,000	73.0	30,000
50	63.0	29,900	67.0	29,400	69.0	28,900	71.0	27,500
55	60.0	25,600	64.0	25,100	67.0	24,600	69.0	24,300
60	56.5	22,200	61.5	21,700	64.5	21,200	66.5	20,800
65	53.5	19,300	58.5	18,800	62.0	18,400	64.5	18,000
70	50.0	17,000	56.0	16,700	59.5	16,300	62.0	15,900
75	46.5	15,000	53.0	14,600	56.5	14,300	59.5	13,900
80	42.5	13,200	50.0	12,900	54.0	12,500	57.0	12,200
85	38.5	11,700	47.0	11,300	51.0	11,000	54.5	10,700
90	34.0	10,400	43.5	10,000	48.5	9,700	52.0	9,400
95	28.5	9,200	40.0	8,800	45.5	8,500	49.5	8,200
100	22.0	8,200	36.0	7,800	42.0	7,500	46.5	7,200
105	12.0	7,300	32.0	6,900	38.5	6,500	44.0	6,200
110			27.0	6,000	35.0	5,700	40.5	5,400
115			21.0	5,300	31.0	4,900	37.5	4,600
120			11.0	4,600	26.0	4,300	34.0	4,000
125					20.0	3,600	30.0	3,300
130					11.0	3,100	25.5	2,800
135							19.5	2,300
140							10.5	1,800
Min.Bm. Ang./Cap.	0.0	7,100	0.0	4,500	0.0	3,000	0.0	1,700
Radius (ft)	106.5		121.5		131.5		141.5	

Not for crane operations

**Rated Lifting Capacities  
In Pounds**



**Intermediate**

**43,000 lb**

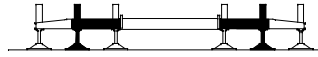


Load Radius (ft)	41.4 ft		55.0 ft		70.0 ft		85.0 ft	
	$\Delta^\circ$	360°	$\Delta^\circ$	360°	$\Delta^\circ$	360°	$\Delta^\circ$	360°
10	69.0	234,300	74.5	73,800	78.0	68,700		
12	66.0	209,100	72.5	73,800	76.5	68,700		
15	61.0	179,300	69.0	73,800	74.0	68,700	77.0	69,100
20	52.0	130,100	63.0	73,800	70.0	68,700	74.0	69,100
25	41.5	83,700	57.0	73,800	65.0	68,700	70.5	69,100
30	27.0	59,700	50.0	64,600	60.5	66,100	66.5	66,000
35			42.0	49,600	55.0	51,300	62.5	51,200
40			32.5	39,500	49.5	41,100	58.5	41,200
45			17.5	32,200	43.5	33,800	54.0	34,000
50					36.5	28,300	49.5	28,500
55					28.5	23,900	44.5	24,100
60					15.5	20,500	39.5	20,600
65							33.0	17,800
70							25.5	15,500
75							13.5	13,500
Min.Bm. Ang./Cap.	0.0	50,400	0.0	26,900	0.0	19,600	0.0	13,000
Radius (ft)	32.8		46.5		61.5		76.5	

Load Radius (ft)	100.0 ft		115.0 ft		124.7 ft	
	$\Delta^\circ$	360°	$\Delta^\circ$	360°	$\Delta^\circ$	360°
20	76.5	61,000				
25	73.5	59,400	76.5	55,300	78.0	51,000
30	70.5	52,800	74.0	49,400	75.5	45,400
35	67.5	47,500	71.5	44,400	73.5	40,600
40	64.0	40,900	68.5	40,100	71.0	36,500
45	61.0	33,800	66.0	33,100	68.5	32,700
50	57.0	28,400	63.0	27,700	65.5	27,300
55	53.5	24,100	59.5	23,500	63.0	23,100
60	49.5	20,600	56.5	20,100	60.0	19,700
65	45.5	17,700	53.5	17,200	57.0	17,100
70	41.0	15,500	50.0	15,000	54.0	14,700
75	36.0	13,400	46.5	13,000	51.0	12,700
80	30.5	11,700	42.5	11,200	48.0	11,000
85	23.5	10,200	38.5	9,700	44.5	9,500
90	12.5	8,900	34.0	8,400	40.5	8,200
95			28.5	7,300	36.5	7,000
100			22.0	6,200	32.5	6,000
105			12.0	5,300	27.0	5,100
110					21.0	4,300
115					10.5	3,500
Min.Bm. Ang./Cap.	0.0	8,600	0.0	5,100	0.0	3,400
Radius (ft)	91.5		106.5		116.2	

Not for crane operations

**Rated Lifting Capacities  
In Pounds**



**Intermediate**

**43,000 lb**

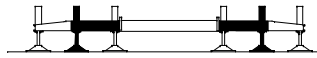


Load Radius (ft)	41.4 ft		55.0 ft		70.0 ft	
	$\Delta^\circ$	360°	$\Delta^\circ$	360°	$\Delta^\circ$	360°
10	69.0	234,300	74.5	73,800	78.0	68,700
12	66.0	209,100	72.5	73,800	76.5	68,700
15	61.0	179,300	69.0	73,800	74.0	68,700
20	52.0	130,100	63.0	73,800	70.0	68,700
25	41.5	83,700	57.0	73,800	65.0	68,700
30	27.0	59,700	50.0	64,600	60.5	66,100
35			42.0	49,600	55.0	51,300
40			32.5	39,500	49.5	41,100
45			17.5	32,200	43.5	33,800
50					36.5	28,300
55					28.5	23,900
60					15.5	20,500
Min.Bm. Ang./Cap.	0.0	50,400	0.0	26,900	0.0	19,600
Radius (ft)	32.8		46.5		61.5	

Load Radius (ft)	85.0 ft		100.0 ft		112.0 ft	
	$\Delta^\circ$	360°	$\Delta^\circ$	360°	$\Delta^\circ$	360°
15	77.0	64,900				
20	74.0	64,900	76.5	65,200	78.5	56,400
25	70.5	64,900	74.0	65,200	76.0	55,500
30	66.5	64,900	71.0	63,900	73.5	48,900
35	62.5	51,100	67.5	50,200	70.5	43,400
40	58.5	41,100	64.5	40,200	68.0	39,000
45	54.0	33,900	61.0	33,200	65.0	32,700
50	49.5	28,400	57.5	27,700	62.0	27,300
55	44.5	24,000	53.5	23,500	58.5	23,000
60	39.0	20,600	49.5	20,000	55.5	19,600
65	33.0	17,700	45.5	17,300	52.0	16,900
70	25.5	15,400	41.0	14,900	48.5	14,600
75	13.5	13,400	36.0	12,900	44.5	12,500
80			30.5	11,100	40.5	10,800
85			23.5	9,600	36.0	9,300
90			12.5	8,300	31.0	8,000
95					25.0	6,900
100					17.0	5,800
Min.Bm. Ang./Cap.	0.0	12,900	0.0	8,000	0.0	5,200
Radius (ft)	76.5		91.5		103.5	

Not for crane operations

**Rated Lifting Capacities  
In Pounds**



**Intermediate**

**43,000 lb**

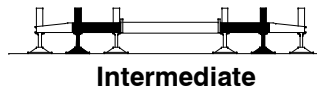


Load Radius (ft)	41.4 ft		55.5 ft	
	$\Delta^\circ$	360°	$\Delta^\circ$	360°
10	69.0	234,300	74.5	157,000
12	66.0	209,100	72.5	157,000
15	61.0	179,300	69.5	157,000
20	52.0	130,100	63.5	133,900
25	41.5	83,700	57.0	87,500
30	27.0	59,700	50.0	63,400
35			42.5	48,500
40			33.0	38,500
45			19.5	31,200
Min.Bm. Ang./Cap.	0.0	50,400	0.0	28,900
Radius (ft)	32.8		47.0	

Load Radius (ft)	70.4 ft		86.2 ft	
	$\Delta^\circ$	360°	$\Delta^\circ$	360°
10	78.5	151,100		
12	77.0	150,200		
15	74.5	135,800	78.0	105,500
20	70.0	116,900	74.5	89,800
25	65.5	88,000	71.0	77,900
30	60.5	64,100	67.0	63,200
35	55.5	49,400	63.0	48,700
40	50.0	39,300	59.0	38,800
45	44.0	32,100	55.0	31,700
50	37.0	26,600	50.5	26,300
55	29.0	22,300	45.5	22,000
60	16.5	18,900	40.5	18,500
65			34.5	15,800
70			27.5	13,400
75			17.5	11,400
Min.Bm. Ang./Cap.	0.0	17,800	0.0	10,500
Radius (ft)	61.9		77.7	

**Not for crane operations**

**Rated Lifting Capacities  
In Pounds**



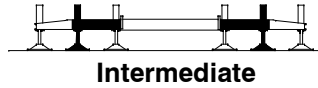
**43,000 lb**



Boom Length (ft)	41.4	55.0	70.0	85.0	100.0	115.0	130.0	145.0	155.0	162.0										
Load Radius (ft)	<p><b>10.0 ft Offset Fly</b> Offset 2°, 15°, 30°, 45°</p>																			
10	51,800	51,800																		
12	47,300	51,800	48,600																	
15	46,400	46,800	48,600	48,600																
20	45,200	45,700	45,200	44,000	45,100															
25	44,600	44,800	44,500	43,400	41,200	38,300	28,900													
30	44,600	44,400	43,900	43,000	39,200	38,300	28,900	25,600	22,400											
35	44,600	44,300	41,300	41,300	35,200	36,400	28,900	25,600	22,400											
40	39,300	41,500	37,400	37,400	32,200	33,200	28,900	25,600	22,400	20,000										
45		34,300	34,400	34,400	29,300	30,300	27,300	25,600	22,400	20,000										
50		28,700	30,100	30,300	26,800	27,800	24,900	25,600	22,400	20,000										
55		24,400	25,800	26,000	24,700	25,600	22,900	24,200	22,400	20,000										
60			22,300	22,500	22,600	22,200	21,100	21,100	20,700	20,000										
65			19,400	19,700	19,800	19,300	19,000	18,300	17,900	17,600										
70			17,100	17,300	17,400	17,100	16,800	16,100	15,700	15,500										
75				15,300	15,500	15,100	14,800	14,100	13,700	13,500										
80				13,600	13,800	13,400	13,100	12,400	12,000	11,800										
85				12,100	12,300	11,900	11,600	10,900	10,500	10,300										
90					10,900	10,600	10,300	9,600	9,200	9,000										
95					9,800	9,400	9,100	8,500	8,100	7,800										
100					8,700	8,400	8,100	7,400	7,100	6,800										
105						7,400	7,200	6,500	6,100	5,900										
110						6,600	6,300	5,700	5,300	5,100										
115						5,900	5,600	4,900	4,600	4,300										
120							4,900	4,300	3,900	3,700										
125							4,200	3,600	3,300	3,000										
130							3,700	3,100	2,700	2,500										
135								2,600	2,200	2,000										
140								2,000	1,700	1,500										
145								1,600	1,300											
Min.Bm. Ang./Cap.	0	34,200	0	18,300	0	10,600	0	9,000	0	7,300	0	5,700	0	3,600	0	1,600	23.0		31.0	
Radius (ft)	42.8		56.5		71.5		86.5		101.5		116.5		131.5		146.5		147.5		143.8	

Not for crane operations

**Rated Lifting Capacities  
In Pounds**



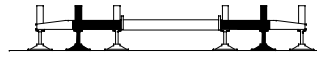
**43,000 lb**



Boom Length (ft)	41.4	55.0	70.0	85.0	100.0	115.0	130.0	140.0	150.0									
Load Radius (ft)	<p><b>10.0 ft Offset Fly</b> Offset 2°, 15°, 30°, 45°</p>																	
10	51,800	51,800																
12	47,300	51,800	51,800															
15	46,400	46,800	51,500	51,800														
20	45,200	45,700	45,400	44,400	48,000													
25	44,600	44,800	44,700	43,700	42,400	41,600	36,300											
30	44,600	44,400	44,100	43,200	41,800	40,000	36,300	29,900	25,400									
35	44,600	44,300	43,600	40,800	37,800	36,100	34,100	29,900	25,400									
40	39,300	41,500	39,700	37,000	34,500	33,000	32,200	29,900	25,400									
45		34,300	35,400	34,100	31,700	30,100	29,500	29,500	25,400									
50		28,700	29,900	30,200	29,200	27,600	27,100	27,100	25,400									
55		24,400	25,600	25,800	25,700	25,400	24,700	24,300	23,300									
60			22,100	22,400	22,300	21,900	21,300	20,800	20,400									
65			19,300	19,500	19,400	19,000	18,500	18,000	17,600									
70			17,000	17,300	17,200	16,800	16,300	15,800	15,500									
75				15,200	15,200	14,800	14,300	13,800	13,500									
80				13,500	13,500	13,100	12,600	12,100	11,800									
85				12,000	11,900	11,600	11,100	10,600	10,300									
90					10,600	10,300	9,800	9,300	9,000									
95					9,500	9,100	8,600	8,200	7,800									
100					8,400	8,100	7,600	7,200	6,800									
105						7,200	6,700	6,200	5,900									
110						6,300	5,800	5,400	5,100									
115						5,600	5,100	4,700	4,300									
120							4,400	4,000	3,600									
125							3,800	3,400	3,000									
130							3,200	2,800	2,400									
135								2,300	1,900									
140								1,800	1,400									
Min.Bm. Ang./Cap.	0	34,200	0	18,300	0	11,500	0	9,800	0	8,100	0	5,400	0	3,100	0	1,700	21.5	
Radius (ft)	42.8	56.5	71.5	86.5	101.5	116.5	131.5	141.5	143.8									

Not for crane operations

**Rated Lifting Capacities  
In Pounds**



**Intermediate**

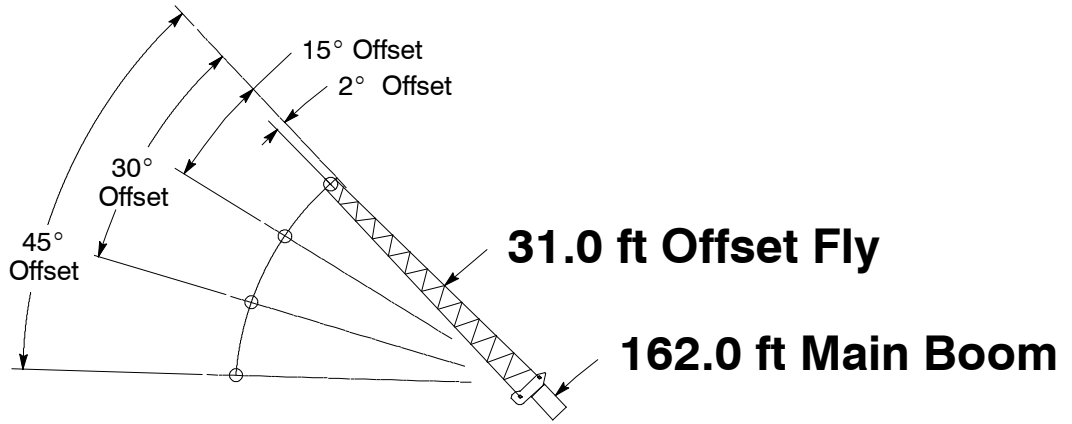
**43,000 lb**

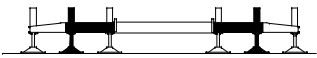
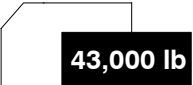



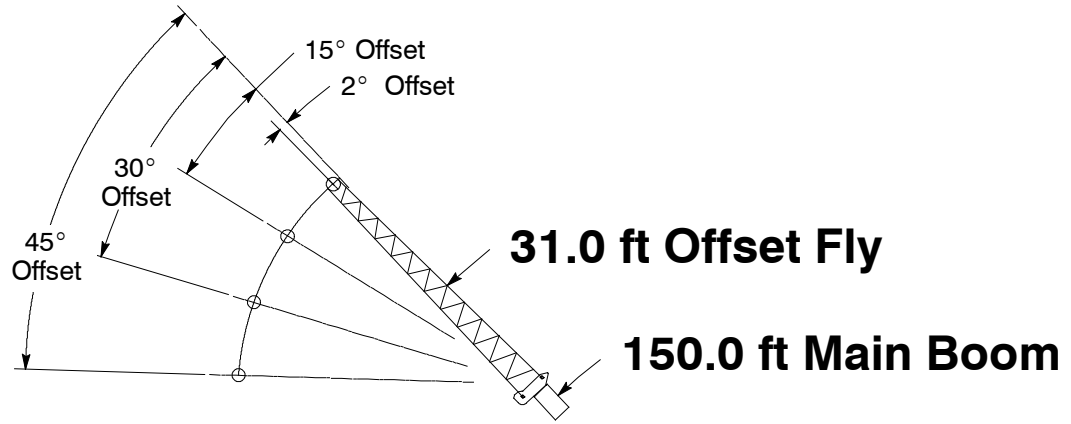
Boom Length (ft)	41.4	55.0	70.0	85.0	100.0	115.0	124.7
Load Radius (ft)	<p><b>10.0 ft Offset Fly</b></p>						
10	51,800	51,800					
12	47,300	51,800	51,800				
15	46,400	46,800	51,800	51,800			
20	45,200	45,700	46,000	45,800	51,800		
25	44,600	44,900	45,100	45,000	44,300	50,700	43,400
30	44,600	44,400	44,500	44,400	43,800	42,800	41,600
35	44,600	44,300	44,100	44,000	41,300	40,100	37,300
40	39,300	41,400	41,900	41,500	37,500	36,400	34,000
45		34,200	34,700	34,300	33,900	33,100	31,000
50		28,700	29,200	28,900	28,400	27,600	27,200
55		24,400	24,900	24,600	24,100	23,400	22,900
60			21,400	21,100	20,700	19,900	19,500
65			18,600	18,300	17,900	17,100	16,900
70			16,300	16,000	15,700	15,000	14,600
75				14,000	13,700	13,000	12,600
80				12,300	11,900	11,300	10,900
85				10,800	10,400	9,800	9,400
90					9,100	8,500	8,100
95					8,000	7,300	7,000
100					6,900	6,300	6,000
105						5,400	5,000
110						4,600	4,200
115						3,800	3,500
120							2,800
125							2,200
Min.Bm. Ang./Cap.	0   34,200	0   18,500	0   15,700	0   10,400	0   6,700	0   3,700	0   2,100
Radius (ft)	42.8	56.5	71.5	86.5	101.5	116.5	126.2

**Not for crane operations**

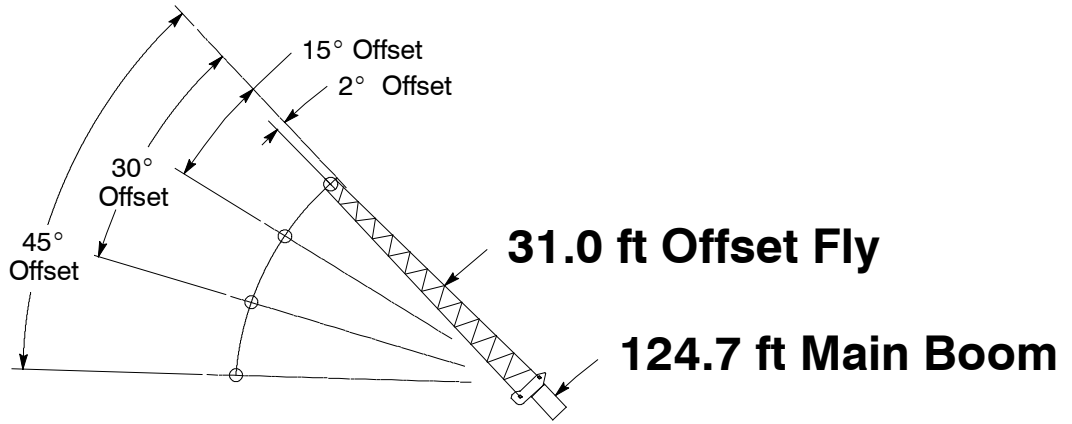


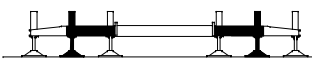
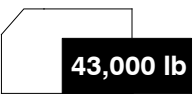



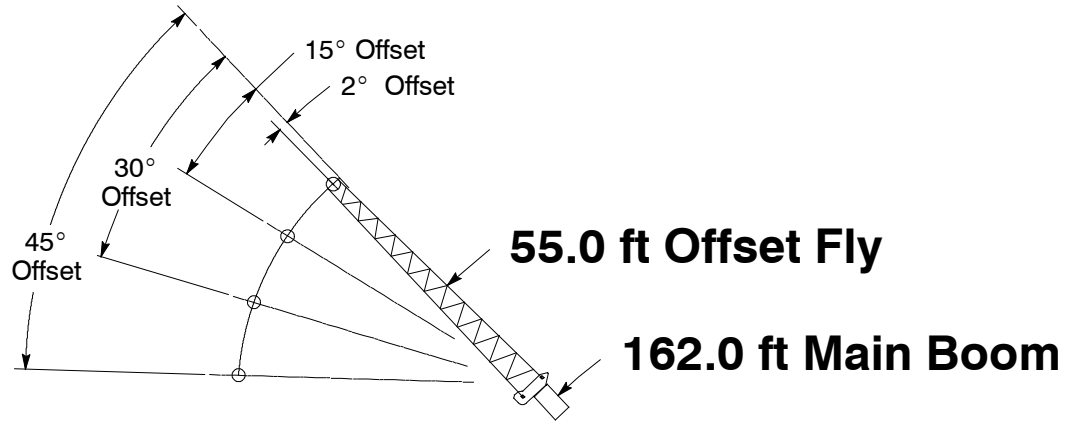
Rated Lifting Capacities In Pounds		 Intermediate		 43,000 lb		 EM 1		
								2° Offset
Load Radius (ft)	2° Offset		15° Offset		30° Offset		45° Offset	
	$\Delta$ °	360°	$\Delta$ °	360°	$\Delta$ °	360°	$\Delta$ °	360°
35	79.0	14,600						
40	78.0	14,600						
45	77.0	14,600	79.0	14,600				
50	75.5	14,600	78.0	14,600				
55	74.5	14,600	76.5	14,600	78.5	14,300		
60	73.0	14,600	75.5	14,600	77.5	14,100	79.0	13,200
65	72.0	14,600	74.0	14,600	76.0	14,000	77.5	13,100
70	70.5	14,600	73.0	14,600	74.5	13,800	76.5	13,100
75	69.0	13,800	71.5	14,600	73.5	13,700	75.0	13,000
80	67.0	12,100	69.5	12,900	72.0	13,600	73.5	12,900
85	65.5	10,600	67.5	11,300	70.0	12,100	72.0	12,700
90	63.5	9,300	65.5	10,000	68.0	10,600	70.0	11,200
95	61.5	8,100	64.0	8,700	66.0	9,400	68.0	9,800
100	59.5	7,100	62.0	7,700	64.0	8,200	65.5	8,700
105	57.5	6,200	60.0	6,700	62.0	7,200	63.5	7,600
110	55.5	5,300	58.0	5,800	60.0	6,300	61.5	6,700
115	53.5	4,600	56.0	5,100	58.0	5,500	59.5	5,800
120	51.5	3,900	54.0	4,300	56.0	4,700	57.0	5,000
125	49.5	3,300	51.5	3,700	53.5	4,100	55.0	4,300
130	47.5	2,700	49.5	3,100	51.5	3,400	52.5	3,600
135	45.0	2,200	47.5	2,500	49.0	2,800	50.0	3,000
140	43.0	1,700	45.0	2,000	46.5	2,300	47.5	2,400
145					44.0	1,800	45.0	1,900
Min.Bm. Ang./Cap.	42.5		42.5		43.0		43.0	
Radius (ft)	143.0		145.0		149.0		150.0	
Maximum Boom Length At 0° Boom Angle (ft)					132			



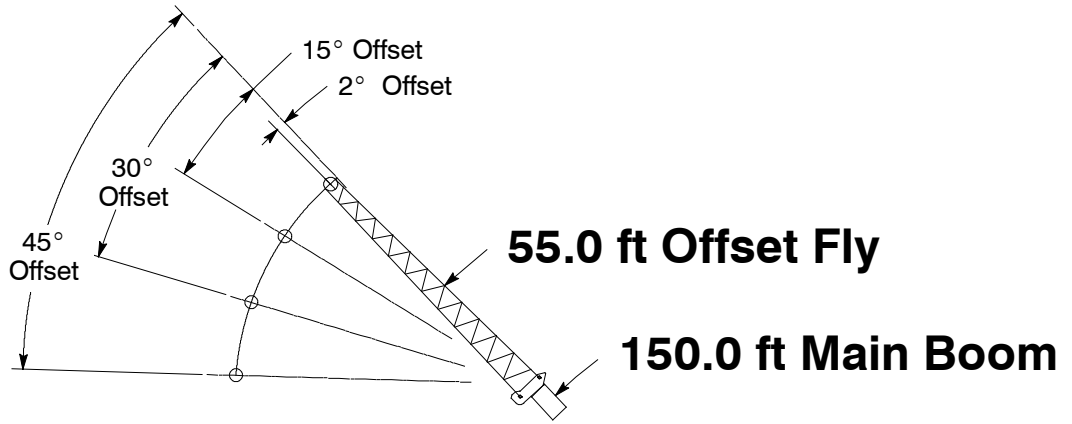
Load Radius (ft)		2° Offset		15° Offset		30° Offset		45° Offset	
		$\Delta^\circ$	360°	$\Delta^\circ$	360°	$\Delta^\circ$	360°	$\Delta^\circ$	360°
35		79.0	17,600						
40		77.5	17,600						
45		76.0	17,600	78.5	17,300				
50		75.0	17,600	77.0	17,000	79.0	15,300		
55		73.5	17,600	75.5	16,700	77.5	15,000	79.5	13,900
60		72.0	17,600	74.0	16,400	76.5	14,800	78.0	13,700
65		71.0	17,600	72.5	16,200	74.5	14,600	76.5	13,600
70		69.0	15,900	71.0	15,900	73.0	14,400	75.0	13,500
75		67.0	13,900	69.5	14,700	71.5	14,300	73.5	13,400
80		65.0	12,100	67.5	12,900	70.0	13,700	71.5	13,300
85		63.0	10,700	65.5	11,400	68.0	12,100	69.5	12,700
90		61.0	9,300	63.5	10,000	66.0	10,700	67.5	11,200
95		59.0	8,200	61.5	8,800	63.5	9,400	65.5	9,800
100		57.0	7,200	59.5	7,700	61.5	8,300	63.0	8,700
105		55.0	6,200	57.0	6,800	59.5	7,300	61.0	7,600
110		52.5	5,400	55.0	5,900	57.0	6,300	58.5	6,600
115		50.5	4,700	52.5	5,100	55.0	5,500	56.0	5,800
120		48.0	4,000	50.5	4,400	52.5	4,800	53.5	5,000
125		46.0	3,400	48.0	3,700	50.0	4,100	51.0	4,200
130		43.5	2,800	45.5	3,100	47.5	3,400	48.5	3,600
135		41.0	2,300	43.0	2,600	44.5	2,800	45.5	3,000
140		38.0	1,800	40.0	2,100	42.0	2,300		
145		35.0	1,400	37.5	1,600	39.0	1,800		
150				34.0	1,200	35.5	1,300		
Min.Bm. Ang./Cap.		33.0		33.0		34.0		34.0	
Radius (ft)		148.8		151.3		152.5		152.0	
Maximum Boom Length At 0° Boom Angle (ft)						129			



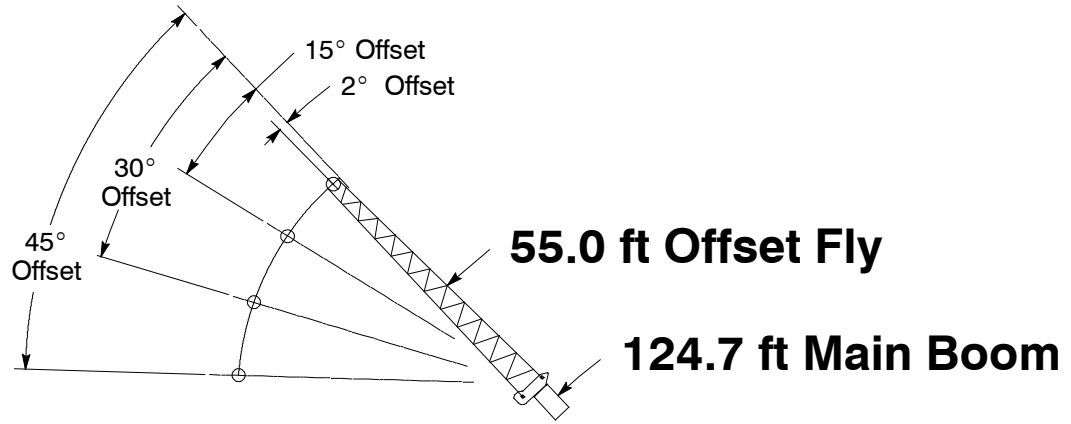
Rated Lifting Capacities In Pounds		 <b>Intermediate</b>				 <b>43,000 lb</b>			
Load Radius (ft)	2° Offset		15° Offset		30° Offset		45° Offset		
	$\Delta$ °	360°	$\Delta$ °	360°	$\Delta$ °	360°	$\Delta$ °	360°	
30	78.5	28,100							
35	77.0	27,000	79.0	20,400					
40	75.5	26,000	77.5	20,400					
45	73.5	24,900	75.5	19,300	78.0	16,600			
50	72.0	24,000	74.0	18,700	76.0	16,300	78.5	14,700	
55	70.0	23,100	72.0	18,200	74.5	15,900	76.5	14,500	
60	68.0	20,300	70.0	17,700	72.5	15,600	74.5	14,300	
65	65.5	17,500	68.0	17,300	70.5	15,300	72.5	14,100	
70	63.5	15,400	66.0	16,300	68.5	15,000	70.5	14,000	
75	61.0	13,400	64.0	14,200	66.5	14,800	68.5	13,800	
80	58.5	11,700	61.5	12,400	64.0	13,200	66.0	13,700	
85	56.5	10,200	59.0	10,900	61.5	11,600	63.5	12,100	
90	54.0	8,900	56.5	9,500	59.0	10,100	61.0	10,600	
95	51.5	7,700	54.0	8,300	56.5	8,900	58.0	9,200	
100	49.0	6,700	51.5	7,200	54.0	7,700	55.5	8,000	
105	46.0	5,800	49.0	6,300	51.0	6,700	52.5	7,000	
110	43.5	5,000	46.0	5,400	48.0	5,800	49.5	6,000	
115	40.5	4,200	43.0	4,600	45.0	4,900	46.0	5,100	
120	37.5	3,600	40.0	3,900	41.5	4,200			
125	34.0	2,900	36.5	3,200	38.0	3,500			
130	30.0	2,400	32.5	2,600	34.0	2,800			
135	26.0	1,900	28.0	2,100					
140	20.5	1,400	23.0	1,500					
Min.Bm. Ang./Cap.	15.0		15.0		9.0		9.5		
Radius (ft)	143.8		145.0		142.9		141.4		
Maximum Boom Length At 0° Boom Angle (ft)					116				



Rated Lifting Capacities In Pounds		Intermediate		43,000 lb		EM 1		
		2° Offset		15° Offset		30° Offset		45° Offset
Load Radius (ft)	∠ °	360°	∠ °	360°	∠ °	360°	∠ °	360°
	40	79.5	10,600					
45	78.5	10,600						
50	77.5	10,600						
55	76.5	10,600						
60	75.5	10,600	78.5	9,700				
65	74.5	10,600	77.5	9,500				
70	73.5	10,500	76.5	9,400	79.5	8,300		
75	72.0	10,300	75.0	9,200	78.5	8,200		
80	71.0	10,200	74.0	9,000	77.0	8,100		
85	69.5	10,000	72.5	8,900	76.0	8,000	78.5	7,300
90	68.5	9,800	71.5	8,700	74.5	7,800	77.0	7,300
95	67.0	8,800	70.0	8,600	73.5	7,700	76.0	7,200
100	65.0	7,800	69.0	8,500	72.0	7,600	74.5	7,100
105	63.5	6,800	67.5	7,800	70.5	7,600	73.0	7,100
110	62.0	6,000	65.5	6,900	69.0	7,500	71.5	7,100
115	60.0	5,200	64.0	6,100	67.5	6,900	70.0	7,000
120	58.5	4,600	62.0	5,300	65.5	6,100	68.5	6,700
125	56.5	3,900	60.5	4,600	63.5	5,300	66.5	5,900
130	55.0	3,300	58.5	4,000	62.0	4,700	64.5	5,100
135	53.0	2,800	56.5	3,400	60.0	4,000	62.5	4,500
140	51.5	2,300	54.5	2,900	58.0	3,500	60.0	3,800
145	49.5	1,900	53.0	2,400	56.0	2,900	58.0	3,300
150	47.5	1,500	51.0	2,000	54.0	2,400	56.0	2,700
155			49.0	1,500	52.0	2,000	53.5	2,200
160					49.5	1,500	51.0	1,700
165							49.0	1,300
Min.Bm. Ang./Cap.	45.5		47.0		47.5		48.0	
Radius (ft)	155.0		160.0		165.0		167.0	
Maximum Boom Length At 0° Boom Angle (ft)					124			



Load Radius (ft)		2° Offset		15° Offset		30° Offset		45° Offset	
		$\Delta^\circ$	360°	$\Delta^\circ$	360°	$\Delta^\circ$	360°	$\Delta^\circ$	360°
40		79.5	12,700						
45		78.0	12,500						
50		77.0	12,200						
55		76.0	12,000	79.0	10,500				
60		74.5	11,700	78.0	10,300				
65		73.5	11,500	76.5	10,000				
70		72.0	11,200	75.5	9,800	79.0	8,600		
75		71.0	11,000	74.0	9,600	77.5	8,400		
80		69.5	10,700	72.5	9,400	76.0	8,300	79.0	7,600
85		68.0	10,500	71.5	9,200	74.5	8,200	77.5	7,500
90		66.5	10,100	70.0	9,000	73.0	8,000	76.0	7,400
95		65.0	9,000	68.5	8,900	71.5	7,900	74.5	7,400
100		63.0	7,900	67.0	8,700	70.0	7,800	73.0	7,300
105		61.5	7,000	65.0	7,900	68.5	7,700	71.5	7,200
110		59.5	6,100	63.5	7,000	67.0	7,600	69.5	7,200
115		57.5	5,400	61.5	6,200	65.5	7,000	68.0	7,200
120		56.0	4,700	59.5	5,400	63.5	6,200	66.0	6,700
125		54.0	4,100	57.5	4,700	61.0	5,400	64.0	5,900
130		52.0	3,500	55.5	4,100	59.0	4,700	61.5	5,200
135		50.0	3,000	53.5	3,500	57.0	4,100	59.5	4,500
140		48.0	2,500	51.5	3,000	55.0	3,500	57.0	3,800
145		46.0	2,000	49.5	2,500	52.5	3,000	54.5	3,300
150		44.0	1,600	47.5	2,100	50.5	2,500	52.0	2,700
155		42.0	1,200	45.0	1,600	48.0	2,000	49.5	2,200
160				43.0	1,200	45.5	1,600	46.5	1,700
Min.Bm. Ang./Cap.		41.0		42.0		43.0		43.0	
Radius (ft)		156.7		161.7		165.0		166.3	
Maximum Boom Length At 0° Boom Angle (ft)		121							



Rated Lifting Capacities In Pounds		Intermediate		43,000 lb		EM 3		
		2° Offset		15° Offset		30° Offset		45° Offset
Load Radius (ft)	∠ °		∠ °		∠ °		∠ °	
	360°	360°	360°	360°	360°	360°	360°	360°
35	78.5	15,300						
40	77.5	14,800						
45	76.0	14,300	79.5	12,000				
50	74.5	13,800	78.0	11,600				
55	73.0	13,300	76.5	11,200				
60	71.5	12,800	75.0	10,900	79.0	9,300		
65	69.5	12,400	73.5	10,500	77.5	9,100		
70	68.0	12,000	72.0	10,200	76.0	8,900	79.0	8,000
75	66.5	11,600	70.0	9,900	74.0	8,700	77.5	7,800
80	65.0	11,200	68.5	9,700	72.5	8,500	75.5	7,700
85	63.0	10,800	67.0	9,400	70.5	8,300	74.0	7,600
90	61.0	9,900	65.0	9,200	69.0	8,200	72.0	7,600
95	59.0	8,800	63.0	9,000	67.0	8,000	70.0	7,500
100	57.0	7,700	61.5	8,700	65.0	7,900	68.0	7,400
105	55.0	6,800	59.0	7,700	63.0	7,800	66.0	7,400
110	53.0	6,000	57.0	6,800	61.0	7,600	63.5	7,300
115	50.5	5,200	54.5	5,900	58.5	6,700	61.5	7,200
120	48.5	4,500	52.5	5,200	56.0	5,800	59.0	6,300
125	46.0	3,900	50.0	4,500	53.5	5,100	56.0	5,500
130	43.5	3,300	47.5	3,900	51.0	4,400	53.0	4,700
135	41.0	2,800	45.0	3,300	48.0	3,700	50.0	4,000
140	38.5	2,300	42.0	2,800	45.5	3,100	46.5	3,300
145	35.5	1,900	39.5	2,300	42.0	2,600		
150	32.5	1,400	36.0	1,800	38.5	2,100		
155			32.5	1,400	35.0	1,500		
Min.Bm. Ang./Cap.	29.0		30.0		31.0		26.5	
Radius (ft)	155.0		158.0		159.0		155.4	
Maximum Boom Length At 0° Boom Angle (ft)					109			

Not for crane operations

Rated Lifting Capacities In Pounds		10.0' Hydraulic Offset Fly										EM 1	360°
		Intermediate											
Load Radius (ft)		Boom Length (ft)											
		41.4	55.0	70.0	85.0	100.0	115.0	130.0	145.0	155.0	162.0		
10	51,800												
12	47,200			48,600									
15	46,700			48,600	48,600								
20	45,000			45,100	43,900	45,100							
25	44,400			44,300	43,300	41,100	38,100						
30	43,800			43,800	42,800	38,800	38,100	28,800	25,400				
35	42,100			40,900	40,900	34,800	36,000	28,800	25,400				
40	39,000			37,000	37,000	31,800	32,800	28,800	25,400				19,900
45	33,900			34,000	34,000	28,900	29,900	26,900	25,400				19,900
50	28,400			29,700	29,900	26,500	27,400	24,500	25,400				19,900
55	24,000			25,400	25,600	24,300	25,200	22,500	23,800				19,900
60				21,900	22,100	22,200	21,800	20,700	20,700				19,900
65				19,000	19,300	19,400	19,000	18,600	17,900				17,200
70				16,700	17,000	17,100	16,700	16,400	15,700				15,100
75					15,000	15,100	14,700	14,400	13,700				13,100
80					13,200	13,400	13,000	12,700	12,000				11,400
85					11,700	11,900	11,500	11,200	10,500				9,900
90						10,500	10,200	9,900	9,200				8,600
95						9,400	9,000	8,700	8,100				7,400
100						8,300	8,000	7,700	7,000				6,400
105							7,100	6,800	6,100				5,500
110							6,200	5,900	5,300				4,700
115							5,500	5,200	4,600				3,900
120								4,500	3,900				3,300
125								3,900	3,200				2,700
130								3,300	2,700				2,100
135									2,200				1,600
140									1,600				
145									1,200				
Min.Bm. Ang./Cap.	0 / 33,900	0 / 17,900	0 / 10,100	0 / 8,600	0 / 6,800	0 / 5,300	0 / 3,200	0 / 1,200	27.5 / 0	34.0 / 0			
Radius (ft)	42.8	56.5	71.5	86.5	101.5	116.5	131.5	146.5	142.5	140.0			

Rated Lifting Capacities In Pounds		10.0' Hydraulic Offset Fly										EM 2	43,000 lb	360°	
		Intermediate													
Load Radius (ft)	Boom Length (ft)														
	41.4	55.0	70.0	85.0	100.0	115.0	130.0	140.0	150.0						
10	51,800	51,800	51,800	51,800	51,800	51,800	51,800	51,800	51,800	51,800	51,800	51,800	51,800	51,800	51,800
12	47,200	47,200	47,200	47,200	47,200	47,200	47,200	47,200	47,200	47,200	47,200	47,200	47,200	47,200	47,200
15	46,200	46,700	51,300	44,200	42,200	41,400	36,100	36,100	36,100	36,100	36,100	36,100	36,100	36,100	36,100
20	45,000	45,500	45,300	43,600	41,400	39,600	33,800	33,800	33,800	33,800	33,800	33,800	33,800	33,800	33,800
25	44,400	44,700	44,500	43,100	40,500	38,200	31,800	31,800	31,800	31,800	31,800	31,800	31,800	31,800	31,800
30	43,800	44,200	43,900	43,100	40,500	39,200	31,800	31,800	31,800	31,800	31,800	31,800	31,800	31,800	31,800
35	42,100	44,100	43,200	43,100	40,500	39,200	31,800	31,800	31,800	31,800	31,800	31,800	31,800	31,800	31,800
40	39,000	41,100	35,000	33,700	28,800	27,200	26,700	26,700	26,700	26,700	26,700	26,700	26,700	26,700	26,700
45		33,900	29,600	29,800	25,400	25,000	24,400	24,400	24,400	24,400	24,400	24,400	24,400	24,400	24,400
50		28,400	25,300	22,000	21,900	21,500	20,900	20,900	20,900	20,900	20,900	20,900	20,900	20,900	20,900
55		24,000	21,800	19,200	19,100	18,700	18,100	18,100	18,100	18,100	18,100	18,100	18,100	18,100	18,100
60			18,900	16,900	16,800	16,500	15,900	15,900	15,900	15,900	15,900	15,900	15,900	15,900	15,900
65			16,600	14,800	14,800	14,400	13,900	13,900	13,900	13,900	13,900	13,900	13,900	13,900	13,900
70				13,100	13,100	12,700	12,200	12,200	12,200	12,200	12,200	12,200	12,200	12,200	12,200
75				11,600	11,600	11,200	10,700	10,700	10,700	10,700	10,700	10,700	10,700	10,700	10,700
80					10,200	9,900	9,400	9,400	9,400	9,400	9,400	9,400	9,400	9,400	9,400
85					9,100	8,700	8,200	8,200	8,200	8,200	8,200	8,200	8,200	8,200	8,200
90					8,000	7,700	7,200	7,200	7,200	7,200	7,200	7,200	7,200	7,200	7,200
95						6,800	6,300	6,300	6,300	6,300	6,300	6,300	6,300	6,300	6,300
100						5,900	5,400	5,400	5,400	5,400	5,400	5,400	5,400	5,400	5,400
105						5,200	4,700	4,700	4,700	4,700	4,700	4,700	4,700	4,700	4,700
110							4,000	4,000	4,000	4,000	4,000	4,000	4,000	4,000	4,000
115							3,400	3,400	3,400	3,400	3,400	3,400	3,400	3,400	3,400
120							2,800	2,800	2,800	2,800	2,800	2,800	2,800	2,800	2,800
125															
130															
135															
140															
Min. Bm. Ang./Cap.	0 / 33,900	0 / 17,900	0 / 11,100	0 / 9,400	0 / 7,700	0 / 5,000	0 / 2,700	0 / 1,300	0 / 1,300	0 / 1,300	0 / 1,300	0 / 1,300	0 / 1,300	0 / 1,300	0 / 1,300
Radius (ft)	42.8	56.5	71.5	86.5	101.5	116.5	131.5	141.5	141.5	141.5	141.5	141.5	141.5	141.5	140.0

Not for crane operations

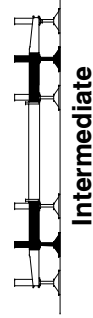
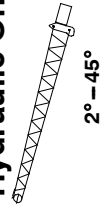


Rated Lifting Capacities In Pounds		10.0' Hydraulic Offset Fly							EM 3	43,000 lb	360°
		Boom Length (ft)									
Load Radius (ft)	41.4	55.0	70.0	85.0	100.0	115.0	124.7				
10	51,800	51,800	51,800	51,800	51,800	51,800	51,800				
12	47,200	51,800	51,800	51,800	51,800	51,800	51,800				
15	46,200	46,700	51,800	51,800	51,800	51,800	51,800				
20	45,000	45,500	45,800	45,800	45,800	45,800	45,800	51,800			43,300
25	44,400	44,700	45,000	45,000	45,000	45,000	45,000	44,200			43,300
30	43,800	44,200	44,400	44,400	44,400	44,400	44,400	43,600			41,200
35	42,100	44,100	44,000	43,800	40,900	39,700	36,900	37,100			33,600
40	39,000	41,100	41,500	41,100	37,100	36,000	30,600	33,500			30,600
45		33,900	34,400	34,000	33,500	32,700	26,800	28,000			22,600
50		28,300	28,800	28,500	28,000	27,200	22,600	23,700			19,100
55		24,000	24,500	24,200	24,000	23,000	19,600	20,300			16,500
60			21,100	20,700	20,300	19,600	16,500	17,500			14,200
65			18,200	17,900	17,500	16,900	14,200	15,300			12,200
70			15,900	15,700	15,300	14,600	12,200	13,300			10,500
75				13,600	13,300	12,600	10,500	11,600			9,000
80				11,900	11,600	10,900	9,000	10,100			7,700
85				10,400	10,100	9,400	8,100	8,700			6,600
90					8,700	8,100	6,600	7,600			5,600
95					7,600	6,900	5,000	6,500			4,700
100						4,200	3,800				3,100
105						3,400	2,400				1,800
110											
115											
120											
125											
Min. Bm. Ang./Cap.	0 / 33,900	0 / 18,100	0 / 15,300	0 / 10,000	0 / 6,300	0 / 3,300	0 / 1,700				
Radius (ft)	42.8	56.5	71.5	86.5	101.5	116.5	126.2				

Not for crane operations

### 31.0' Hydraulic Offset Fly

Rated Lifting Capacities  
In Pounds



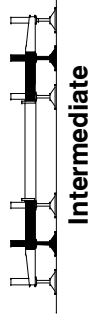
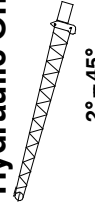
43,000 lb



Load Radius (ft)	Boom Length (ft)																			
	41.4				70.3				100.0				130.6				162.0			
	2-15	15-30	30-45		2-15	15-30	30-45		2-15	15-30	30-45		2-15	15-30	30-45		2-15	15-30	30-45	
15	26,300	26,300			33,900															
20	23,800	23,800			25,100	25,100														
25	20,500	17,800	17,800		23,500	23,500														
30	19,000	16,800	15,300		20,700	17,700	17,700													
35	17,700	15,900	14,700		19,700	17,000	15,200	16,900												
40	16,600	15,200	14,000		18,700	16,400	14,800	14,800	16,500											
45	15,700	14,600	13,400		17,900	15,800	14,500	14,500	16,000	16,000										
50	14,900	14,200	13,000		17,100	15,300	14,000	14,300	15,600	15,600	15,600									
55	14,300	13,800	12,800		16,400	14,900	13,600	14,000	15,300	15,300	15,300	14,400								
60	13,900	13,700	12,800		15,800	14,500	13,300	13,600	15,000	15,000	15,000	14,800	13,600							
65					15,300	14,200	13,000	13,400	14,700	14,700	14,700	14,600	13,400	14,400						
70					14,800	14,000	12,800	13,100	14,400	14,400	14,400	14,400	13,100	14,400	14,400					
75					14,400	13,800	12,700	12,900	14,200	14,200	14,200	14,200	13,000	14,400	13,500	13,500	13,500			
80					14,100	13,700	12,700	12,800	14,000	14,000	14,000	13,900	12,800	11,700	11,700	12,600	12,600			
85					13,000	13,300	12,700	12,600	13,200	13,200	13,200	12,300	12,600	10,200	10,200	11,000	11,000			
90					11,700	11,500		12,200	11,800	11,800	11,800	10,900	11,500	8,900	8,900	9,600	9,600			
95								10,900	10,500	10,500	10,500	9,700	10,200	7,800	7,800	8,400	8,400			
100								9,700	9,500	9,500	9,500	8,600	9,100	6,700	6,700	7,400	7,400			
105								8,700	8,500	8,500	8,500	7,600	8,000	5,800	5,800	6,400	6,400			
110								7,700	7,600	7,600	7,600	6,800	7,100	5,000	5,000	5,500	5,500			
115								6,600	6,600	6,600	6,600	6,000	6,300	4,300	4,300	4,700	4,700			
120								6,000	5,900	5,900	5,900	5,300	5,500	3,600	3,600	4,000	4,000			
125												4,300	4,800	3,000	3,000	3,400	3,400			
130												3,800	4,200	2,400	2,400	2,800	2,800			
135												3,200	3,600	1,900	1,900	2,200	2,200			
140												2,800	3,000	1,400	1,400	1,700	1,700			
145												2,300	2,400			1,200	1,200			
150												1,900	1,800							
Min. Bm. Ang./Cap.	0/13,700	0/13,700	0/12,800		0/6,100	0/6,100	0/6,400	0/4,300	0/4,100	0/4,100	0/4,100	0/1,800	0/1,800	43.0/0	43.0/0	43.0/0	43.0/0			
Radius (ft)	64.0	64.0	62.9		92.9	92.7	91.2	122.6	122.3	122.3	120.5	152.9	152.9	143.0	143.0	146.3	146.3			

### 31.0' Hydraulic Offset Fly

Rated Lifting Capacities  
In Pounds



43,000 lb

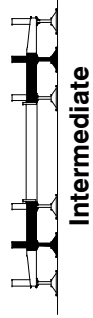
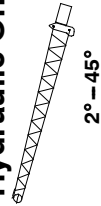


Load Radius (ft) Offset In °	Boom Length (ft)														
	41.4			67.3			94.0			121.6			150.0		
	2-15	15-30	30-45	2-15	15-30	30-45	2-15	15-30	30-45	2-15	15-30	30-45	2-15	15-30	30-45
15	26,300	26,300		34,400			30,200			19,800					
20	23,800	23,800		25,200	25,200		23,600	23,600		19,300	19,300				
25	20,500	17,800	17,800	23,500	23,500		19,200	16,600	17,100	18,800	16,400	16,400			
30	19,000	16,800	15,300	22,000	17,700	17,700	18,500	16,100	14,600	18,300	16,100	14,500	17,000		
35	17,700	15,900	14,700	19,600	16,900	15,200	17,900	15,700	14,300	17,900	15,700	14,300	16,700	15,000	15,000
40	16,600	15,200	14,000	18,700	16,300	14,800	19,200	16,600	14,900	18,800	16,400	16,400	17,300	17,300	17,300
45	15,700	14,600	13,400	17,800	15,700	14,400	18,500	16,100	14,600	18,300	16,100	14,500	17,000	17,000	17,000
50	14,900	14,200	13,000	17,000	15,200	13,900	17,900	15,700	14,300	17,900	15,700	14,300	16,700	15,000	15,000
55	14,300	13,800	12,800	16,300	14,800	13,500	17,300	15,300	14,000	17,400	15,400	14,100	16,500	14,800	13,600
60	13,900	13,700	12,800	15,700	14,400	13,200	16,800	15,000	13,700	17,000	15,100	13,800	16,200	14,600	13,400
65				15,100	14,100	13,000	16,300	14,700	13,400	16,600	14,800	13,500	15,900	14,400	13,200
70				14,700	13,900	12,800	15,800	14,400	13,100	16,200	14,600	13,300	15,600	14,200	13,000
75				14,300	13,800	12,800	15,400	14,200	12,900	14,900	14,400	13,100	13,500	14,000	12,900
80				14,000	13,700	12,800	14,100	14,000	12,800	13,200	13,900	12,900	11,800	12,600	12,700
85				12,900	13,200		12,600	13,100	12,700	11,700	12,300	12,800	10,300	11,100	11,800
90							11,300	11,700	12,100	10,400	10,900	11,400	9,000	9,700	10,400
95							10,100	10,500	10,800	9,200	9,700	10,200	7,900	8,500	9,100
100							9,100	9,400	9,600	8,200	8,600	9,000	6,800	7,400	8,000
105							8,200	8,400	8,500	7,200	7,600	8,000	5,900	6,400	6,900
110							7,300	7,500		6,400	6,800	7,100	5,100	5,600	6,000
115							6,600	6,700		5,700	6,000	6,200	4,300	4,800	5,200
120										5,000	5,300	5,500	3,700	4,100	4,400
125										4,400	4,600	4,800	3,000	3,400	3,700
130										3,800	4,000	4,100	2,500	2,800	3,100
135										3,300	3,400		1,900	2,300	2,500
140										2,800	2,900		1,500	1,700	2,000
145													1,500	1,300	1,500
Min. Bm. Ang./Cap.	0/13,700	0/13,700	0/12,800	0/6,900	0/7,000	0/7,200	0/5,000	0/5,000	0/5,300	0/2,500	0/2,500	0/2,600	37.5/0	37.5/0	37.5/0
Radius (ft)	64.0	64.0	62.9	89.9	89.7	88.2	116.6	116.3	114.6	144.2	143.9	142.0	144.0	147.0	149.0

Not for crane operations

### 31.0' Hydraulic Offset Fly

Rated Lifting Capacities  
In Pounds



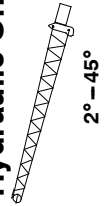
43,000 lb



Load Radius (ft)	Boom Length (ft)																				
	41.4				54.6				68.7				96.3				124.7				
	2-15	15-30	30-45		2-15	15-30	30-45		2-15	15-30	30-45		2-15	15-30	30-45		2-15	15-30	30-45		
15	26,300	26,300			27,100	27,100			34,700	25,600			24,600	24,600			27,800				
20	23,800	23,800			24,800	24,800			25,600	25,600			24,600	24,600			20,200				
25	20,500	17,800	17,800		18,300	18,300	18,300		23,800	23,800			20,100	17,000	15,100		19,600				
30	19,000	16,800	15,300		17,400	15,500	15,500		22,300	17,900	17,900		19,300	16,500	14,800		19,000				
35	17,700	15,900	14,700		16,600	15,000	15,000		20,000	17,100	15,300		18,600	16,100	14,600		18,500				
40	16,600	15,200	14,000		15,900	14,600	14,600		19,000	16,500	14,900		17,900	15,700	14,200		18,000				
45	15,700	14,600	13,400		15,300	14,000	14,000		18,100	15,900	14,500		17,300	15,300	13,900		17,500				
50	14,900	14,200	13,000		14,800	13,600	13,600		17,200	15,400	14,100		16,700	15,000	13,600		17,100				
55	14,300	13,800	12,800		14,400	13,200	13,200		16,500	15,000	13,600		16,200	14,700	13,300		15,100				
60	13,900	13,700	12,800		14,100	12,900	12,900		15,900	14,600	13,300		16,200	14,700	13,300		15,100				
65					13,800	12,800	12,800		15,300	14,300	13,000		16,700	15,000	13,600		17,100				
70					14,000	12,800	12,800		14,800	14,000	12,900		16,200	14,700	13,300		15,100				
75					13,800	13,800			14,400	13,800	12,800		14,600	14,400	13,100		13,100				
80									13,900	13,800	12,800		12,900	13,500	12,900		11,300				
85									12,400	12,700			11,400	11,900	12,400		9,900				
90									11,200	11,300			10,100	10,500	11,000		8,500				
95													8,900	9,300	9,700		7,400				
100													7,900	8,200	8,500		6,400				
105													6,900	7,200	7,400		5,500				
110													6,100	6,300			4,600				
115													5,400	5,500			3,900				
120																	3,200				
125																	2,600				
130																	2,000				
135																	1,500				
140																	1,200				
Min. Bm. Ang./Cap.	0/13,700	0/13,700	0/12,800		0/10,700	0/11,200			0/9,100	0/9,300	0/9,700		0/4,900	0/5,000	0/5,100		22.5/0				
Radius (ft)	64.0	64.0	62.9		77.2	75.8		91.3	91.1	89.6		118.9	118.6	116.9		140.0	141.0				

# 55.0' Hydraulic Offset Fly

Rated Lifting Capacities  
In Pounds



43,000 lb



Load Radius (ft)	Boom Length (ft)																								
	41.4					70.3					100.0					130.6					162.0				
	2-15	15-30	30-45	2-15	15-30	30-45	2-15	15-30	30-45	2-15	15-30	30-45	2-15	15-30	30-45	2-15	15-30	30-45	2-15	15-30	30-45				
15	20,000																								
20	17,900			17,800																					
25	13,700	13,700		16,800																					
30	12,700	12,700		15,700	15,100																				
35	11,800	11,800		12,400	14,500																				
40	11,000	9,700	9,700	11,800	11,800	11,800																			
45	10,300	9,200	9,200	11,200	11,400	11,400	13,000																		
50	9,700	8,800	7,700	10,700	10,900	10,900	12,700	10,700																	
55	9,200	8,400	7,400	10,200	10,600	9,100	10,400	10,400	9,100																
60	8,700	8,100	7,000	9,700	10,200	8,800	10,100	10,100	8,800	8,800															
65	8,300	7,800	6,800	9,400	9,800	8,600	9,900	8,600	7,300	7,300	8,600														
70	8,000	7,500	6,600	9,000	9,500	8,400	9,600	8,400	7,100	7,100	7,200	8,600													
75	7,600	7,200	6,600	8,700	9,200	8,200	9,400	8,200	7,000	7,000	7,000	7,000	9,500												
80	7,300	7,000	6,600	8,400	9,000	8,000	9,100	8,000	6,800	6,800	6,900	8,600	9,300												
85	7,000	7,000		8,100	8,700	7,800	8,900	7,800	6,700	6,700	6,800	8,400	9,100	10,400											
90				7,900	8,500	7,700	8,700	7,700	6,600	6,600	6,700	8,200	9,000	10,400	9,500										
95				7,700	8,300	7,600	8,500	7,600	6,500	6,500	6,600	8,100	8,800	10,400	9,300										
100				7,400	8,100	7,400	8,400	7,400	6,400	6,400	6,400	7,900	8,600	10,400	9,100										
105				7,200	7,900	7,300	8,200	7,300	6,300	6,400	6,400	7,700	8,400	10,400	9,100										
110				7,000	7,700	7,100	8,000	7,100	6,300	6,400	6,400	7,500	8,200	9,000	9,500										
115				6,900	7,500	7,000	7,800	7,000	6,300	6,300	6,300	7,400	8,100	8,900	9,100										
120				6,900	7,500	7,000	7,800	7,000	6,300	6,300	6,300	7,400	8,100	8,900	9,100										
125				6,800	7,400	6,900	7,700	6,900	6,300	6,300	6,300	7,400	8,100	8,900	9,100										
130				6,100	6,700	6,200	7,100	6,200	6,300	6,300	6,300	7,400	8,100	8,900	9,100										
135				5,600	6,200	5,700	6,600	5,700	6,300	6,300	6,300	7,400	8,100	8,900	9,100										
140				5,000	5,600	5,100	6,000	5,100	6,300	6,300	6,300	7,400	8,100	8,900	9,100										
145				4,600	5,200	4,700	5,600	4,700	6,300	6,300	6,300	7,400	8,100	8,900	9,100										
150				4,100	4,700	4,200	5,000	4,200	6,300	6,300	6,300	7,400	8,100	8,900	9,100										
155							2,600	2,900	3,200	3,200	3,200	4,400	5,000	5,100											
160							2,200	2,500	2,700	2,700	2,700	3,900	4,400	4,400											
165							1,800	2,100	2,300	2,300	2,300	3,400	3,900	4,000											
170							1,500	1,700	1,800	1,800	1,800	3,000	3,400	3,400											
Min. Bm. Ang./Cap.	0/7,000	0/7,000	0/6,600	0/3,900	0/3,900	0/4,200	0/2,400	0/2,500	0/2,600	0/2,600	0/2,600	20.5/0	20.5/0	20.5/0	20.0/0	50.0/0	51.0/0	51.0/0	51.0/0	51.0/0	51.0/0	51.0/0	51.0/0		
Radius (ft)	88.0	87.9	86.2	116.9	116.5	114.0	146.6	146.0	143.0	143.0	143.0	171.7	170.3	170.3	167.3	151.3	156.3	156.3	156.3	156.3	156.3	156.3	161.3		

Not for crane operations

# 55.0' Hydraulic Offset Fly

Rated Lifting Capacities  
In Pounds



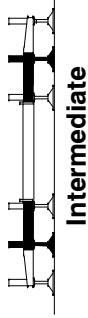
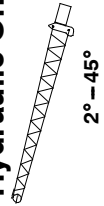
2°-45°

Intermediate

Load Radius (ft)	Boom Length (ft)														
	41.4			67.3			94.0			121.6			150.0		
	2-15	15-30	30-45	2-15	15-30	30-45	2-15	15-30	30-45	2-15	15-30	30-45	2-15	15-30	30-45
15	20,000			18,100			15,700								
20	17,900			16,900			15,000								
25	13,700	13,700		13,200	13,200		12,400	12,400					14,300		
30	12,700	12,700		12,400	12,400		12,000	12,000					13,800		
35	11,800	11,800		11,800	11,800		11,500	11,500	9,600				11,400	12,200	
40	11,000	9,700	9,700	11,200	9,600	9,600	11,500	11,500	9,200	9,200			11,000	12,000	
45	10,300	9,200	9,200	10,600	9,200	7,700	11,000	9,400	7,700	7,700			10,700	10,200	
50	9,700	8,800	7,700	10,100	8,900	7,400	10,600	9,100	7,400	7,400			10,200	10,200	
55	9,200	8,400	7,400	9,700	8,600	7,400	10,200	8,900	7,500	7,500			10,000	10,000	
60	8,700	8,100	7,000	9,300	8,300	7,200	9,900	8,600	7,300	7,300			9,800	9,800	
65	8,300	7,800	6,800	8,900	8,100	7,000	9,500	8,400	7,200	7,200			9,600	9,600	
70	8,000	7,500	6,600	8,600	7,900	6,800	9,200	8,200	7,000	7,000			9,400	9,400	
75	7,600	7,200	6,600	8,300	7,700	6,600	8,900	8,000	6,800	6,800			9,200	9,200	
80	7,300	7,000	6,600	8,000	7,500	6,500	8,700	7,800	6,700	6,700			9,000	9,000	
85	7,000	7,000		7,800	7,300	6,400	8,400	7,700	6,600	6,600			8,800	8,800	
90				7,600	7,100	6,400	8,200	7,500	6,500	6,500			8,600	8,600	
95				7,300	7,000	6,400	8,000	7,400	6,400	6,400			8,400	8,400	
100				7,100	6,900	6,400	7,800	7,200	6,400	6,400			8,100	8,100	
105				6,900	6,900	6,400	7,700	7,100	6,300	6,300			7,900	7,900	
110							7,500	7,000	6,300	6,300			7,600	7,600	
115							6,800	6,900	6,300	6,300			7,500	7,500	
120							6,200	6,500	6,300	6,300			6,700	6,700	
125							5,600	5,900	6,000	6,000			5,900	5,900	
130							5,100	5,300	6,000	6,000			5,100	5,100	
135							4,700	5,300	6,000	6,000			5,100	5,100	
140													4,400	4,400	
145													4,600	4,600	
150													4,800	4,800	
155													3,500	3,500	
160													3,100	3,100	
165													2,700	2,700	
Min. Bm. Ang./Cap.	0/7,000	0/7,000	0/6,600	0/4,400	0/4,500	0/4,800	0/3,100	0/3,200	0/3,400	0/3,400	0/1,500	0/1,500	45.0/0	46.0/0	46.5/0
Radius (ft)	88.0	87.9	86.2	113.9	113.5	111.1	140.6	140.0	137.1	168.2	167.5	164.2	152.5	158.8	162.5

# 55.0' Hydraulic Offset Fly

**Rated Lifting Capacities  
In Pounds**



43,000 lb



Load Radius (ft)	Boom Length (ft)																					
	41.4				54.6				68.7				96.3				124.7					
	2-15	15-30	30-45		2-15	15-30	30-45		2-15	15-30	30-45		2-15	15-30	30-45		2-15	15-30	30-45			
15	20,000																					
20	17,900				18,500																	
25	13,700				16,900																	
30	12,700				13,100	13,100			19,000	17,600				17,900								
35	11,800				12,200	12,200			13,400	12,700				16,900								
40	11,000		9,700		11,500	10,000	10,000		12,700	12,000				16,000						15,100		
45	10,300	9,200	9,200		10,800	9,500	9,500		12,400	12,400				12,400						14,600		
50	9,700	8,800	7,700		10,300	9,100	7,900		11,900	9,600				11,900						11,700		
55	9,200	8,400	7,400		9,800	8,700	7,600		11,400	9,300				11,400						11,300		
60	8,700	8,100	7,000		9,300	8,400	7,300		10,900	8,700				10,900						11,000		
65	8,300	7,800	6,800		8,900	8,100	7,000		10,500	8,400				10,500						10,600		
70	8,000	7,500	6,600		8,500	7,900	6,800		10,100	8,200				10,100						10,300		
75	7,600	7,200	6,600		8,200	7,600	6,600		9,800	8,000				9,800						10,000		
80	7,300	7,000	6,600		7,900	7,400	6,500		9,400	7,800				9,400						9,700		
85	7,000	7,000			7,600	7,200	6,400		9,100	7,500				9,100						9,200		
90					7,300	7,000	6,400		8,900	7,300				8,900						8,900		
95					7,100	7,000			8,600	7,100				8,600						8,500		
100					7,000				8,400	7,000				8,400						8,500		
105									8,200	6,900				8,200						7,500		
110									8,000	6,400				8,000						7,500		
115									7,200	6,400				7,200						7,500		
120									7,000	6,400				7,000						6,500		
125									7,000	6,400				7,000						6,500		
130									7,000	6,400				7,000						6,500		
135									7,000	6,400				7,000						6,500		
140									7,000	6,400				7,000						6,500		
145									7,000	6,400				7,000						6,500		
150									7,000	6,400				7,000						6,500		
Min. Bm. Ang./Cap.	0/7,000	0/7,000	0/6,600		0/6,700	0/6,800	0/6,400		0/5,800	0/6,000	0/6,400		0/3,400	0/3,500	0/3,700		34.0/0	34.5/0	34.5/0			
Radius (ft)	88.0	87.9	86.2	101.2	100.9	98.8	115.3	114.9	112.5	142.8	142.3	139.4	151.3	155.0	155.0	155.0	155.0	155.0	155.0	155.0	155.0	155.0

Not for crane operations

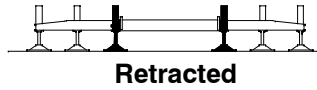
**This Page Left Blank Intentionally**

For sales use only

Not for crane operations



**Rated Lifting Capacities  
In Pounds**



Load Radius (ft)	41.4 ft		55.0 ft		70.0 ft		85.0 ft		100.0 ft	
	$\Delta^\circ$	360°	$\Delta^\circ$	360°	$\Delta^\circ$	360°	$\Delta^\circ$	360°	$\Delta^\circ$	360°
10	68.5	111,700	74.5	77,300	77.5	51,000				
12	65.5	72,800	72.0	77,300	76.5	51,000				
15	60.5	45,100	68.5	50,200	73.5	51,000	76.5	51,200		
20	51.5	24,100	62.5	29,000	69.0	31,600	73.0	32,300	75.5	32,700
25	41.0	13,900	56.5	18,300	64.5	21,000	69.5	21,600	72.5	22,000
30	27.0	7,800	49.5	12,000	59.5	14,600	65.5	15,400	69.5	15,900
35			41.5	7,800	54.5	10,400	61.5	11,200	66.0	11,700
40			32.0	4,900	49.0	7,300	57.5	8,100	63.0	8,700
45			17.5	2,600	43.0	5,000	53.5	5,800	59.5	6,400
50					36.0	3,300	48.5	4,100	56.0	4,600
55					27.5	1,900	44.0	2,700	52.5	3,200
60							38.5	1,500	48.5	2,000
Min.Bm. Ang./Cap.	0.0	5,100	0.0	2,100	18.5		36.0		44.5	
Radius (ft)	32.8		46.5		58.6		62.2		65.0	

Not for crane operations

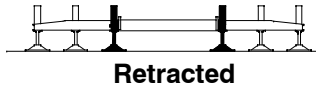
**Rated Lifting Capacities  
In Pounds**



Load Radius (ft)	41.4 ft		55.0 ft		70.0 ft		85.0 ft		100.0 ft	
	°	360°	°	360°	°	360°	°	360°	°	360°
10	68.5	111,700	74.5	77,300	78.0	67,800				
12	65.5	72,800	72.0	77,300	76.5	67,800				
15	60.5	45,100	68.5	50,200	73.5	52,900	77.0	53,800		
20	51.5	24,100	62.5	29,000	69.0	31,400	73.0	32,100	76.0	32,200
25	41.0	13,900	56.5	18,300	64.5	20,800	69.5	21,400	72.5	21,600
30	27.0	7,800	49.5	12,000	59.5	14,500	65.5	15,300	69.5	15,400
35			41.5	7,800	54.5	10,200	61.5	11,100	66.5	11,300
40			32.0	4,900	49.0	7,200	57.5	8,000	63.0	8,300
45			17.5	2,600	43.0	4,900	53.5	5,700	59.5	6,000
50					36.0	3,100	49.0	3,900	56.0	4,200
55					28.0	1,700	44.0	2,500	52.5	2,800
60							38.5	1,400	48.5	1,700
Min.Bm. Ang./Cap.	0.0	5,100	0.0	2,100	21.0		36.5		46.0	
Radius (ft)	32.8		46.5		57.5		61.5		63.0	

Not for crane operations

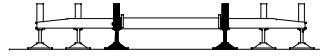
**Rated Lifting Capacities  
In Pounds**



Load Radius (ft)	41.4 ft		55.0 ft		70.0 ft		85.0 ft	
	$\Delta^\circ$	360°	$\Delta^\circ$	360°	$\Delta^\circ$	360°	$\Delta^\circ$	360°
10	68.5	111,700	74.5	73,800	78.0	68,700		
12	65.5	72,800	72.0	73,800	76.5	68,700		
15	60.5	45,100	68.5	50,200	73.5	51,800	76.5	51,700
20	51.5	24,100	62.5	28,900	69.0	30,300	73.0	30,200
25	41.0	13,900	56.5	18,200	64.5	19,900	69.5	19,800
30	27.0	7,800	49.5	12,000	59.5	13,600	65.5	13,700
35			41.5	7,800	54.5	9,400	61.5	9,600
40			32.0	4,800	49.0	6,300	57.5	6,600
45			17.5	2,600	43.0	4,100	53.5	4,300
50					36.5	2,400	49.0	2,600
55							44.0	1,200
Min.Bm. Ang./Cap.	0.0	5,100	0.0	2,000	28.5		43.5	
Radius (ft)	32.8		46.5		54.6		55.5	

Not for crane operations

**Rated Lifting Capacities  
In Pounds**



**Retracted**

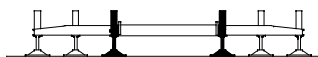


Load Radius (ft)	41.4 ft		55.0 ft		70.0 ft		85.0 ft	
	$\Delta^\circ$	360°	$\Delta^\circ$	360°	$\Delta^\circ$	360°	$\Delta^\circ$	360°
10	68.5	111,700	74.5	73,800	78.0	68,700		
12	65.5	72,800	72.0	73,800	76.5	68,700		
15	60.5	45,100	68.5	50,200	73.5	51,800	76.5	51,500
20	51.5	24,100	62.5	28,900	69.0	30,300	73.0	30,100
25	41.0	13,900	56.5	18,200	64.5	19,900	69.5	19,700
30	27.0	7,800	49.5	12,000	59.5	13,600	65.5	13,700
35			41.5	7,800	54.5	9,400	61.5	9,500
40			32.0	4,800	49.0	6,300	57.5	6,500
45			17.5	2,600	43.0	4,100	53.5	4,200
50					36.5	2,400	49.0	2,500
Min.Bm. Ang./Cap.	0.0	5,100	0.0	2,000	28.5		44.0	
Radius (ft)	32.8		46.5		54.6		55.0	

For sales use only

Not for crane operations

**Rated Lifting Capacities  
In Pounds**



**Retracted**



Load Radius (ft)	41.4 ft		55.5 ft		70.4 ft	
	$\Delta^\circ$	360°	$\Delta^\circ$	360°	$\Delta^\circ$	360°
10	68.5	111,700	74.5	116,900	78.0	117,800
12	65.5	72,800	72.0	76,900	76.5	77,600
15	60.5	45,100	69.0	48,700	73.5	49,300
20	51.5	24,100	63.0	27,800	69.0	28,300
25	41.0	13,900	56.5	17,300	64.5	18,000
30	27.0	7,800	50.0	11,000	60.0	11,900
35			42.0	6,900	55.0	7,700
40			33.0	3,900	49.5	4,800
45			19.5	1,700	43.5	2,600
Min.Bm. Ang./Cap.	0.0	5,100	6.0		38.5	
Radius (ft)	32.8		46.3		48.8	

For sales use only

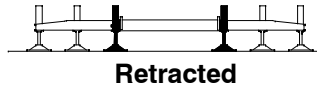
Not for crane operations

**This Page Left Blank  
Intentionally**

For sales use only

Not for crane operations

**Rated Lifting Capacities  
In Pounds**



**14,000 lb**

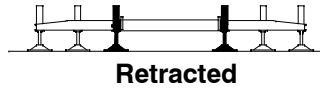


Load Radius (ft)	41.4 ft		55.0 ft		70.0 ft		85.0 ft	
	$\Delta^\circ$	360°	$\Delta^\circ$	360°	$\Delta^\circ$	360°	$\Delta^\circ$	360°
10	69.0	157,000	74.5	77,300	77.5	51,000		
12	65.5	104,000	72.5	77,300	76.5	51,000		
15	60.5	66,300	68.5	71,400	74.0	51,000	76.5	51,200
20	51.5	38,000	62.5	42,800	69.0	45,400	73.5	46,100
25	41.0	24,200	56.5	28,600	64.5	31,300	69.5	32,000
30	27.0	16,000	49.5	20,200	59.5	22,800	65.5	23,600
35			41.5	14,700	54.5	17,200	61.5	17,900
40			32.0	10,700	49.0	13,200	57.5	14,000
45			17.5	7,700	43.0	10,100	53.5	11,000
50					36.0	7,800	49.0	8,600
55					27.5	6,000	44.0	6,700
60					15.0	4,400	38.5	5,200
65							32.5	3,900
70							25.0	2,900
75							13.0	2,000
Min.Bm. Ang./Cap.	0.0	12,500	0.0	7,000	0.0	4,100	0.0	1,800
Radius (ft)	32.8		46.5		61.5		76.5	

Load Radius (ft)	100.0 ft		115.0 ft		130.0 ft	
	$\Delta^\circ$	360°	$\Delta^\circ$	360°	$\Delta^\circ$	360°
20	76.0	46,500				
25	73.0	32,400	75.5	32,000	77.5	31,700
30	69.5	23,900	72.5	23,600	75.0	23,300
35	66.5	18,400	70.0	18,000	72.5	17,800
40	63.0	14,500	67.0	14,300	70.0	14,000
45	59.5	11,500	64.0	11,300	67.5	11,100
50	56.0	9,100	61.5	9,000	65.0	8,800
55	52.5	7,200	58.5	7,100	62.5	7,000
60	48.5	5,700	55.0	5,600	59.5	5,400
65	44.5	4,400	52.0	4,300	57.0	4,200
70	40.0	3,400	48.5	3,200	54.5	3,100
75	35.0	2,400	45.0	2,300	51.5	2,200
80	29.5	1,700	41.5	1,500	48.5	1,400
Min.Bm. Ang./Cap.	23.5		39.0		47.0	
Radius (ft)	84.3		82.8		82.1	

Not for crane operations

**Rated Lifting Capacities  
In Pounds**



**14,000 lb**

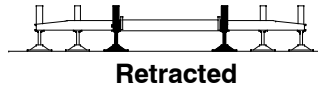


Load Radius (ft)	41.4 ft		55.0 ft		70.0 ft		85.0 ft	
	$\Delta^\circ$	360°	$\Delta^\circ$	360°	$\Delta^\circ$	360°	$\Delta^\circ$	360°
10	69.0	157,000	74.5	77,300	78.0	67,800		
12	65.5	104,000	72.5	77,300	76.5	67,800		
15	60.5	66,300	68.5	71,400	74.0	67,800	77.0	68,100
20	51.5	38,000	62.5	42,800	69.0	45,200	73.5	45,900
25	41.0	24,200	56.5	28,600	64.5	31,100	69.5	31,800
30	27.0	16,000	49.5	20,200	59.5	22,600	65.5	23,400
35			41.5	14,700	54.5	17,000	62.0	17,800
40			32.0	10,700	49.0	13,000	57.5	13,800
45			17.5	7,700	43.0	10,000	53.5	10,800
50					36.0	7,700	49.0	8,500
55					28.0	5,800	44.0	6,600
60					15.0	4,300	38.5	5,100
65							32.5	3,800
70							25.0	2,800
75							13.5	1,900
Min.Bm. Ang./Cap.	0.0	12,500	0.0	7,000	0.0	3,900	0.0	1,600
Radius (ft)	32.8		46.5		61.5		76.5	

Load Radius (ft)	100.0 ft		115.0 ft		130.0 ft	
	$\Delta^\circ$	360°	$\Delta^\circ$	360°	$\Delta^\circ$	360°
20	76.0	46,000				
25	73.0	31,900	75.5	31,600	77.5	31,000
30	70.0	23,500	72.5	23,200	75.0	22,700
35	66.5	18,000	70.0	17,700	72.5	17,100
40	63.0	14,200	67.0	13,900	70.0	13,400
45	60.0	11,100	64.5	11,000	67.5	10,500
50	56.5	8,800	61.5	8,700	65.0	8,200
55	52.5	6,900	58.5	6,800	62.5	6,400
60	49.0	5,400	55.5	5,200	60.0	4,900
65	44.5	4,100	52.0	4,000	57.5	3,600
70	40.5	3,000	48.5	2,900	54.5	2,500
75	35.5	2,100	45.0	2,000	51.5	1,600
80	29.5	1,300				
Min.Bm. Ang./Cap.	27.5		41.5		49.5	
Radius (ft)	81.4		80.0		78.1	



**Rated Lifting Capacities  
In Pounds**



**14,000 lb**

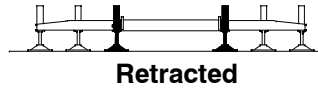


Load Radius (ft)	41.4 ft		55.0 ft		70.0 ft	
	$\Delta^\circ$	360°	$\Delta^\circ$	360°	$\Delta^\circ$	360°
10	69.0	157,000	74.5	73,800	78.0	68,700
12	65.5	104,000	72.0	73,800	76.5	68,700
15	60.5	66,300	68.5	71,300	73.5	68,700
20	51.5	38,000	62.5	42,800	69.0	44,100
25	41.0	24,200	56.5	28,600	64.5	30,200
30	27.0	16,000	49.5	20,200	59.5	21,700
35			41.5	14,700	54.5	16,200
40			32.0	10,700	49.0	12,200
45			17.5	7,700	43.0	9,200
50					36.5	6,900
55					28.0	5,000
60					15.0	3,500
Min.Bm. Ang./Cap.	0.0	12,500	0.0	7,000	0.0	3,200
Radius (ft)	32.8		46.5		61.5	

Load Radius (ft)	85.0 ft		100.0 ft		115.0 ft	
	$\Delta^\circ$	360°	$\Delta^\circ$	360°	$\Delta^\circ$	360°
15	77.0	69,100				
20	73.0	44,100	76.0	43,700		
25	69.5	30,100	73.0	29,900	75.5	29,100
30	65.5	21,900	69.5	21,600	72.5	20,900
35	61.5	16,400	66.5	16,300	70.0	15,600
40	57.5	12,400	63.0	12,400	67.0	11,800
45	53.5	9,400	60.0	9,400	64.5	8,900
50	49.0	7,100	56.5	7,100	61.5	6,600
55	44.0	5,300	52.5	5,200	58.5	4,800
60	38.5	3,800	49.0	3,700	55.5	3,300
65	32.5	2,500	44.5	2,500	52.0	2,000
70	25.0	1,400	40.5	1,400		
Min.Bm. Ang./Cap.	20.5		39.0		49.5	
Radius (ft)	71.8		71.6		69.5	

Not for crane operations

**Rated Lifting Capacities  
In Pounds**



**14,000 lb**



Load Radius (ft)	41.4 ft		55.0 ft		70.0 ft	
	$\Delta^\circ$	360°	$\Delta^\circ$	360°	$\Delta^\circ$	360°
10	69.0	157,000	74.5	73,800	78.0	68,700
12	65.5	104,000	72.0	73,800	76.5	68,700
15	60.5	66,300	68.5	71,300	73.5	68,700
20	51.5	38,000	62.5	42,800	69.0	44,100
25	41.0	24,200	56.5	28,600	64.5	30,200
30	27.0	16,000	49.5	20,200	59.5	21,700
35			41.5	14,700	54.5	16,200
40			32.0	10,700	49.0	12,200
45			17.5	7,700	43.0	9,200
50					36.5	6,900
55					28.0	5,000
60					15.0	3,500
65						
Min.Bm. Ang./Cap.	0.0	12,500	0.0	7,000	0.0	3,200
Radius (ft)	32.8		46.5		61.5	

Load Radius (ft)	85.0 ft		100.0 ft		112.0 ft	
	$\Delta^\circ$	360°	$\Delta^\circ$	360°	$\Delta^\circ$	360°
15	77.0	64,900				
20	73.0	44,000	76.0	43,000	78.0	42,400
25	69.5	30,100	73.0	29,200	75.0	28,600
30	65.5	21,800	69.5	20,900	72.0	20,400
35	61.5	16,300	66.5	15,700	69.5	15,200
40	57.5	12,300	63.5	11,800	66.5	11,400
45	53.5	9,300	60.0	8,800	63.5	8,500
50	49.0	7,000	56.5	6,500	60.5	6,200
55	44.0	5,200	53.0	4,700	57.5	4,300
60	38.5	3,700	49.0	3,200	54.5	2,900
65	32.5	2,400	45.0	1,900	51.0	1,600
70	25.0	1,400				
Min.Bm. Ang./Cap.	21.0		41.5		49.5	
Radius (ft)	71.6		69.0		67.5	

Not for crane operations

**Rated Lifting Capacities  
In Pounds**



**Retracted**

**14,000 lb**



Load Radius (ft)	41.4 ft		55.5 ft	
	$\Delta^\circ$	360°	$\Delta^\circ$	360°
10	69.0	157,000	74.5	157,000
12	65.5	104,000	72.5	108,000
15	60.5	66,300	69.0	69,900
20	51.5	38,000	63.0	41,600
25	41.0	24,200	56.5	27,600
30	27.0	16,000	50.0	19,200
35			42.0	13,700
40			33.0	9,800
45			19.5	6,800
Min.Bm. Ang./Cap.	0.0	12,500	0.0	5,800
Radius (ft)	32.8		47.0	

Load Radius (ft)	70.4 ft		86.2 ft	
	$\Delta^\circ$	360°	$\Delta^\circ$	360°
10	78.5	151,100		
12	76.5	108,600		
15	74.0	70,400	77.5	69,400
20	69.5	42,100	73.5	41,300
25	64.5	28,400	70.0	27,700
30	60.0	20,000	66.0	19,500
35	55.0	14,600	62.5	14,200
40	49.5	10,600	58.5	10,300
45	43.5	7,700	54.0	7,400
50	37.0	5,400	50.0	5,100
55	28.5	3,600	45.0	3,300
60	16.5	2,100	40.0	1,800
Min.Bm. Ang./Cap.	0.0	1,600	37.0	
Radius (ft)	61.9		62.6	

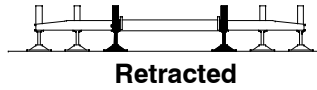
**Not for crane operations**

**This Page Left Blank  
Intentionally**

For sale & use only

Not for crane operations

**Rated Lifting Capacities  
In Pounds**



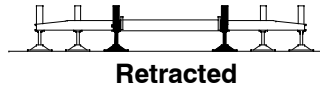
**17,000 lb**



Load Radius (ft)	41.4 ft		55.0 ft		70.0 ft		85.0 ft	
	$\Delta^\circ$	360°	$\Delta^\circ$	360°	$\Delta^\circ$	360°	$\Delta^\circ$	360°
10	69.0	167,000	74.5	77,300	77.5	51,000		
12	65.5	110,800	72.5	77,300	76.5	51,000		
15	60.5	71,000	68.5	76,000	74.0	51,000	76.5	51,200
20	51.5	41,000	62.5	45,900	69.0	48,400	73.5	49,100
25	41.0	26,500	56.5	30,900	64.5	33,600	69.5	34,200
30	27.0	17,800	49.5	22,000	59.5	24,600	65.5	25,400
35			41.5	16,200	54.5	18,600	62.0	19,400
40			32.0	12,000	49.0	14,400	57.5	15,300
45			17.5	8,900	43.0	11,300	53.5	12,100
50					36.0	8,800	49.0	9,600
55					28.0	6,800	44.0	7,600
60					15.0	5,300	38.5	6,000
65							32.5	4,700
70							25.0	3,600
75							13.0	2,600
Min.Bm. Ang./Cap.	0.0	14,100	0.0	8,100	0.0	4,900	0.0	2,400
Radius (ft)	32.8		46.5		61.5		76.5	

Load Radius (ft)	100.0 ft		115.0 ft		130.0 ft	
	$\Delta^\circ$	360°	$\Delta^\circ$	360°	$\Delta^\circ$	360°
20	76.0	47,900				
25	73.0	34,700	75.5	34,300	77.5	34,000
30	69.5	25,700	72.5	25,400	75.0	25,100
35	66.5	19,900	70.0	19,500	72.5	19,300
40	63.0	15,800	67.0	15,500	70.0	15,300
45	59.5	12,600	64.5	12,400	67.5	12,200
50	56.0	10,100	61.5	10,000	65.0	9,800
55	52.5	8,100	58.5	8,000	62.5	7,800
60	48.5	6,500	55.5	6,400	60.0	6,200
65	44.5	5,200	52.0	5,000	57.0	4,900
70	40.0	4,100	48.5	3,900	54.5	3,800
75	35.5	3,100	45.0	2,900	51.5	2,800
80	29.5	2,300	41.5	2,100	48.5	2,000
85	22.5	1,500	37.5	1,400		
Min.Bm. Ang./Cap.	15.5		35.5		45.5	
Radius (ft)	88.3		87.1		85.0	

**Rated Lifting Capacities  
In Pounds**



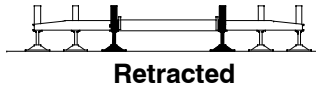
**17,000 lb**



Load Radius (ft)	41.4 ft		55.0 ft		70.0 ft		85.0 ft	
	$\Delta^\circ$	360°	$\Delta^\circ$	360°	$\Delta^\circ$	360°	$\Delta^\circ$	360°
10	69.0	167,000	74.5	77,300	78.0	67,800		
12	65.5	110,800	72.5	77,300	76.5	67,800		
15	60.5	71,000	68.5	76,000	74.0	67,800	77.0	68,100
20	51.5	41,000	62.5	45,900	69.0	48,200	73.5	49,000
25	41.0	26,500	56.5	30,900	64.5	33,400	69.5	34,100
30	27.0	17,800	49.5	22,000	59.5	24,400	66.0	25,200
35			41.5	16,200	54.5	18,400	62.0	19,300
40			32.0	12,000	49.0	14,300	58.0	15,100
45			17.5	8,900	43.0	11,100	53.5	11,900
50					36.5	8,700	49.0	9,500
55					28.0	6,700	44.0	7,500
60					15.0	5,100	38.5	5,900
65							32.5	4,600
70							25.0	3,400
75							13.5	2,500
Min.Bm. Ang./Cap.	0.0	14,100	0.0	8,100	0.0	4,700	0.0	2,300
Radius (ft)	32.8		46.5		61.5		76.5	

Load Radius (ft)	100.0 ft		115.0 ft		130.0 ft	
	$\Delta^\circ$	360°	$\Delta^\circ$	360°	$\Delta^\circ$	360°
20	76.5	49,100				
25	73.0	34,200	75.5	33,900	77.5	33,300
30	70.0	25,300	73.0	25,000	75.0	24,500
35	66.5	19,500	70.0	19,200	72.5	18,600
40	63.5	15,400	67.0	15,200	70.0	14,700
45	60.0	12,200	64.5	12,100	67.5	11,600
50	56.5	9,800	61.5	9,600	65.0	9,200
55	52.5	7,800	58.5	7,700	62.5	7,300
60	49.0	6,200	55.5	6,100	60.0	5,700
65	44.5	4,800	52.0	4,700	57.5	4,400
70	40.5	3,700	49.0	3,600	54.5	3,200
75	35.5	2,700	45.5	2,600	51.5	2,300
80	29.5	1,900	41.5	1,800	48.5	1,400
Min.Bm. Ang./Cap.	23.0		37.5		47.0	
Radius (ft)	85.0		85.0		82.1	

**Rated Lifting Capacities  
In Pounds**



**17,000 lb**

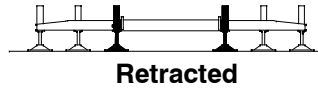


Load Radius (ft)	41.4 ft		55.0 ft		70.0 ft	
	$\Delta^\circ$	360°	$\Delta^\circ$	360°	$\Delta^\circ$	360°
10	69.0	167,000	74.5	73,800	78.0	68,700
12	65.5	110,800	72.5	73,800	76.5	68,700
15	60.5	71,000	68.5	73,800	73.5	68,700
20	51.5	41,000	62.5	45,800	69.0	47,200
25	41.0	26,500	56.5	30,900	64.5	32,500
30	27.0	17,800	49.5	22,000	59.5	23,500
35			41.5	16,200	54.5	17,600
40			32.0	12,000	49.0	13,500
45			17.5	8,800	43.0	10,300
50					36.5	7,900
55					28.0	5,900
60					15.0	4,300
Min.Bm. Ang./Cap.	0.0	14,100	0.0	8,000	0.0	3,900
Radius (ft)	32.8		46.5		61.5	

Load Radius (ft)	85.0 ft		100.0 ft		115.0 ft	
	$\Delta^\circ$	360°	$\Delta^\circ$	360°	$\Delta^\circ$	360°
15	77.0	69,100				
20	73.0	47,100	76.0	46,800		
25	69.5	32,400	73.0	32,100	75.5	31,400
30	65.5	23,700	69.5	23,400	73.0	22,700
35	62.0	17,800	66.5	17,600	70.0	17,100
40	57.5	13,700	63.0	13,700	67.5	13,100
45	53.5	10,500	60.0	10,500	64.5	10,000
50	49.0	8,100	56.5	8,100	61.5	7,600
55	44.0	6,200	52.5	6,100	58.5	5,700
60	39.0	4,600	49.0	4,500	55.5	4,100
65	32.5	3,200	45.0	3,200	52.5	2,800
70	25.0	2,100	40.5	2,100	49.0	1,600
Min.Bm. Ang./Cap.	13.5		35.5		47.0	
Radius (ft)	75.0		75.0		72.7	

Not for crane operations

**Rated Lifting Capacities  
In Pounds**



**17,000 lb**



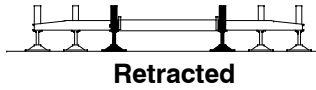
Load Radius (ft)	41.4 ft		55.0 ft		70.0 ft	
	$\Delta^\circ$	360°	$\Delta^\circ$	360°	$\Delta^\circ$	360°
10	69.0	167,000	74.5	73,800	78.0	68,700
12	65.5	110,800	72.5	73,800	76.5	68,700
15	60.5	71,000	68.5	73,800	73.5	68,700
20	51.5	41,000	62.5	45,800	69.0	47,200
25	41.0	26,500	56.5	30,900	64.5	32,500
30	27.0	17,800	49.5	22,000	59.5	23,500
35			41.5	16,200	54.5	17,600
40			32.0	12,000	49.0	13,500
45			17.5	8,800	43.0	10,300
50					36.5	7,900
55					28.0	5,900
60					15.0	4,300
Min. Bm. Ang./Cap.	0.0	14,100	0.0	8,000	0.0	3,900
Radius (ft)	32.8		46.5		61.5	

Load Radius (ft)	85.0 ft		100.0 ft		112.0 ft	
	$\Delta^\circ$	360°	$\Delta^\circ$	360°	$\Delta^\circ$	360°
15	77.0	64,900				
20	73.0	47,000	76.0	46,000	78.0	45,400
25	69.5	32,300	73.0	31,500	75.0	30,900
30	65.5	23,600	70.0	22,800	72.5	22,200
35	62.0	17,700	66.5	17,200	69.5	16,700
40	57.5	13,600	63.5	13,100	66.5	12,600
45	53.5	10,500	60.0	9,900	63.5	9,600
50	49.0	8,000	56.5	7,500	60.5	7,200
55	44.0	6,100	53.0	5,600	57.5	5,200
60	39.0	4,500	49.0	4,000	54.5	3,700
65	32.5	3,200	45.0	2,700	51.0	2,400
70	25.0	2,100	40.5	1,600		
Min. Bm. Ang./Cap.	13.5		38.0		47.5	
Radius (ft)	75.0		72.5		70.0	

Not for crane operations



**Rated Lifting Capacities  
In Pounds**



**17,000 lb**



Load Radius (ft)	41.4 ft		55.5 ft	
	$\Delta^\circ$	360°	$\Delta^\circ$	360°
10	69.0	167,000	74.5	157,000
12	65.5	110,800	72.5	114,900
15	60.5	71,000	69.0	74,600
20	51.5	41,000	63.0	44,700
25	41.0	26,500	56.5	29,800
30	27.0	17,800	50.0	21,000
35			42.0	15,200
40			33.0	11,100
45			19.5	8,000
Min.Bm. Ang./Cap.	0.0	14,100	0.0	6,900
Radius (ft)	32.8		47.0	

Load Radius (ft)	70.4 ft		86.2 ft	
	$\Delta^\circ$	360°	$\Delta^\circ$	360°
10	78.5	151,100		
12	76.5	115,500		
15	74.0	75,100	77.5	74,100
20	69.5	45,200	73.5	44,300
25	64.5	30,700	70.0	29,900
30	60.0	21,800	66.0	21,300
35	55.0	16,100	62.5	15,700
40	49.5	11,900	58.5	11,600
45	43.5	8,800	54.0	8,500
50	37.0	6,400	50.0	6,100
55	28.5	4,500	45.0	4,200
60	16.5	2,900	40.0	2,600
65			34.0	1,300
Min.Bm. Ang./Cap.	0.0	2,400	32.5	
Radius (ft)	61.9		65.9	

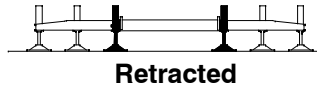
Not for crane operations

**This Page Left Blank  
Intentionally**

For sales use only

Not for crane operations

**Rated Lifting Capacities  
In Pounds**



**26,000 lb**



Load Radius (ft)	41.4 ft		55.0 ft		70.0 ft		85.0 ft	
	$\angle$ °	360°	$\angle$ °	360°	$\angle$ °	360°	$\angle$ °	360°
10	69.0	188,600						
12	65.5	130,400	72.5	77,300				
15	60.5	84,300	69.0	77,300				
20	51.5	49,800	63.0	54,500	69.5	51,000	73.5	51,200
25	41.5	32,900	56.5	37,300	64.5	40,000	69.5	40,600
30	27.0	22,900	49.5	27,200	59.5	29,700	66.0	30,500
35			41.5	20,400	54.5	22,900	62.0	23,700
40			32.0	15,700	49.0	18,000	58.0	18,800
45			17.5	12,100	43.0	14,500	53.5	15,300
50					36.5	11,600	49.0	12,400
55					28.0	9,400	44.0	10,200
60					15.0	7,600	39.0	8,300
65							32.5	6,800
70							25.0	5,500
75							13.5	4,400
Min.Bm. Ang./Cap.	0.0	18,700	0.0	11,200	0.0	7,100	0.0	4,200
Radius (ft)	32.8		46.5		61.5		76.5	



**WARNING**

**Do Not Raise Boom Above 74° Boom Angle. Loss Of Backward Stability Will Occur Causing a Tipping Condition.**

Load Radius (ft)	100.0 ft		115.0 ft		130.0 ft	
	$\angle$ °	360°	$\angle$ °	360°	$\angle$ °	360°
25	73.0	41,000				
30	70.0	30,900	73.0	30,600		
35	66.5	24,100	70.0	23,800	72.5	23,500
40	63.5	19,300	67.5	19,000	70.0	18,800
45	60.0	15,800	64.5	15,600	67.5	15,400
50	56.5	13,000	61.5	12,800	65.0	12,600
55	52.5	10,700	58.5	10,500	62.5	10,400
60	49.0	8,800	55.5	8,700	60.0	8,600
65	45.0	7,300	52.0	7,100	57.5	7,000
70	40.5	6,000	49.0	5,800	54.5	5,700
75	35.5	4,900	45.5	4,700	51.5	4,600
80	29.5	3,900	41.5	3,800	48.5	3,700
85	22.5	3,100	37.5	2,900	45.5	2,800
90	12.0	2,400	33.0	2,200	42.5	2,100
95			27.5	1,600	38.5	1,400
Min.Bm. Ang./Cap.	0.0	2,200	22.0		37.0	
Radius (ft)	91.5		99.1		97.5	

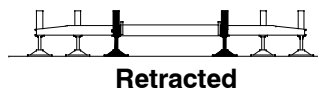


**WARNING**

**Do Not Raise Boom Above 74° Boom Angle. Loss Of Backward Stability Will Occur Causing a Tipping Condition.**

Not for crane operations

**Rated Lifting Capacities  
In Pounds**



**26,000 lb**



Load Radius (ft)	41.4 ft		55.0 ft		70.0 ft		85.0 ft	
	$\angle$ °	360°	$\angle$ °	360°	$\angle$ °	360°	$\angle$ °	360°
10	69.0	188,600						
12	65.5	130,400	72.5	77,300				
15	60.5	84,300	69.0	77,300				
20	51.5	49,800	63.0	54,500	69.5	56,900	73.5	57,600
25	41.5	32,900	56.5	37,300	64.5	39,800	69.5	40,400
30	27.0	22,900	49.5	27,200	60.0	29,600	66.0	30,400
35			41.5	20,400	54.5	22,700	62.0	23,600
40			32.0	15,700	49.0	17,800	58.0	18,700
45			17.5	12,100	43.0	14,300	53.5	15,100
50					36.5	11,500	49.0	12,300
55					28.0	9,300	44.0	10,000
60					15.0	7,400	39.0	8,200
65							32.5	6,700
70							25.0	5,400
75							13.5	4,300
Min.Bm. Ang./Cap.	0.0	18,700	0.0	11,200	0.0	7,000	0.0	4,000
Radius (ft)	32.8		46.5		61.5		76.5	



**WARNING**

**Do Not Raise Boom Above 74° Boom Angle. Loss Of Backward Stability Will Occur Causing a Tipping Condition.**

Load Radius (ft)	100.0 ft		115.0 ft		130.0 ft	
	$\angle$ °	360°	$\angle$ °	360°	$\angle$ °	360°
25	73.0	40,500				
30	70.0	30,500	73.0	30,200		
35	66.5	23,800	70.5	23,500	73.0	22,900
40	63.5	18,900	67.5	18,700	70.5	18,200
45	60.0	15,400	64.5	15,300	68.0	14,800
50	56.5	12,600	61.5	12,500	65.5	12,100
55	53.0	10,300	58.5	10,200	63.0	9,800
60	49.0	8,500	55.5	8,400	60.0	8,000
65	45.0	7,000	52.5	6,800	57.5	6,500
70	40.5	5,700	49.0	5,500	55.0	5,200
75	35.5	4,600	45.5	4,400	52.0	4,100
80	30.0	3,600	41.5	3,500	49.0	3,100
85	23.0	2,800	37.5	2,700	46.0	2,300
90	12.0	2,100	33.0	1,900	42.5	1,600
95			27.5	1,300		
Min.Bm. Ang./Cap.	0.0	1,900	25.5		40.0	
Radius (ft)	91.5		96.6		93.5	

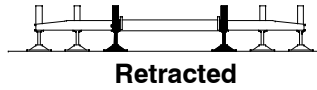


**WARNING**

**Do Not Raise Boom Above 74° Boom Angle. Loss Of Backward Stability Will Occur Causing a Tipping Condition.**

Not for crane operations

**Rated Lifting Capacities  
In Pounds**



**26,000 lb**



Load Radius (ft)	41.4 ft		55.0 ft		70.0 ft		85.0 ft	
	$\angle$ °	360°	$\angle$ °	360°	$\angle$ °	360°	$\angle$ °	360°
10	69.0	188,600						
12	65.5	130,400	72.5	73,800				
15	60.5	84,300	69.0	73,800				
20	51.5	49,800	63.0	54,500	69.5	55,800	73.5	55,700
25	41.5	32,900	56.5	37,300	64.5	38,900	69.5	38,800
30	27.0	22,900	49.5	27,100	60.0	28,700	66.0	28,800
35			41.5	20,400	54.5	21,900	62.0	22,100
40			32.0	15,600	49.0	17,100	58.0	17,200
45			17.5	12,000	43.0	13,500	53.5	13,700
50					36.5	10,700	49.0	10,900
55					28.0	8,500	44.0	8,700
60					15.0	6,700	39.0	6,900
65							32.5	5,400
70							25.0	4,100
75							13.5	3,000
Min.Bm. Ang./Cap.	0.0	18,700	0.0	11,100	0.0	6,200	0.0	2,700
Radius (ft)	32.8		46.5		61.5		76.5	



**WARNING**

**Do Not Raise Boom Above 74° Boom Angle. Loss Of Backward Stability Will Occur Causing a Tipping Condition.**

Load Radius (ft)	100.0 ft		115.0 ft		124.7 ft	
	$\angle$ °	360°	$\angle$ °	360°	$\angle$ °	360°
25	73.0	38,500				
30	70.0	28,600	73.0	27,900		
35	66.5	21,900	70.5	21,200	72.0	20,900
40	63.5	17,200	67.5	16,700	69.5	16,400
45	60.0	13,700	64.5	13,200	67.0	12,900
50	56.5	10,900	61.5	10,400	64.5	10,200
55	53.0	8,700	58.5	8,200	61.5	8,000
60	49.0	6,800	55.5	6,400	59.0	6,100
65	45.0	5,300	52.5	4,900	56.0	4,600
70	40.5	4,100	49.0	3,600	53.0	3,400
75	35.5	3,000	45.5	2,500	50.0	2,300
80	30.0	2,000	41.5	1,600	46.5	1,300
Min.Bm. Ang./Cap.	23.0		39.5		46.0	
Radius (ft)	85.0		82.7		81.2	

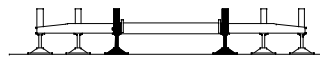


**WARNING**

**Do Not Raise Boom Above 74° Boom Angle. Loss Of Backward Stability Will Occur Causing a Tipping Condition.**

Not for crane operations

**Rated Lifting Capacities  
In Pounds**



**Retracted**

**26,000 lb**



Load Radius (ft)	41.4 ft		55.0 ft		70.0 ft	
	$\angle$ °	360°	$\angle$ °	360°	$\angle$ °	360°
10	69.0	188,600				
12	65.5	130,400	72.5	73,800		
15	60.5	84,300	69.0	73,800		
20	51.5	49,800	63.0	54,500	69.5	55,800
25	41.5	32,900	56.5	37,300	64.5	38,900
30	27.0	22,900	49.5	27,100	60.0	28,700
35			41.5	20,400	54.5	21,900
40			32.0	15,600	49.0	17,100
45			17.5	12,000	43.0	13,500
50					36.5	10,700
55					28.0	8,500
60					15.0	6,700
Min.Bm. Ang./Cap.	0.0	18,700	0.0	11,100	0.0	6,200
Radius (ft)	32.8		46.5		61.5	



**WARNING**

**Do Not Raise Boom Above 74° Boom Angle. Loss Of Backward Stability Will Occur Causing a Tipping Condition.**

Load Radius (ft)	85.0 ft		100.0 ft		112.0 ft	
	$\angle$ °	360°	$\angle$ °	360°	$\angle$ °	360°
20	73.5	55,600				
25	69.5	38,700	73.0	37,800		
30	66.0	28,700	70.0	27,900	72.5	27,400
35	62.0	22,000	66.5	21,300	69.5	20,800
40	58.0	17,300	63.5	16,700	66.5	16,300
45	53.5	13,700	60.0	13,100	64.0	12,800
50	49.0	10,900	56.5	10,300	61.0	10,000
55	44.0	8,600	53.0	8,100	57.5	7,800
60	39.0	6,800	49.0	6,300	54.5	6,000
65	32.5	5,300	45.0	4,800	51.0	4,500
70	25.0	4,000	40.5	3,500	47.5	3,200
75	13.5	2,900	35.5	2,400	44.0	2,100
80			30.0	1,500		
Min.Bm. Ang./Cap.	0.0	2,700	26.5		40.0	
Radius (ft)	76.5		82.5		80.0	

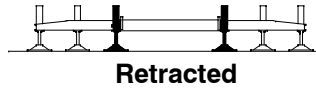


**WARNING**

**Do Not Raise Boom Above 74° Boom Angle. Loss Of Backward Stability Will Occur Causing a Tipping Condition.**

Not for crane operations

**Rated Lifting Capacities  
In Pounds**



**26,000 lb**



Load Radius (ft)	41.4 ft		55.5 ft	
	$\Delta^\circ$	360°	$\Delta^\circ$	360°
10	69.0	188,600		
12	65.5	130,400	72.5	134,400
15	60.5	84,300	69.0	87,900
20	51.5	49,800	63.0	53,300
25	41.5	32,900	57.0	36,200
30	27.0	22,900	50.0	26,100
35			42.5	19,400
40			33.0	14,700
45			19.5	11,100
Min.Bm. Ang./Cap.	0.0	18,700	0.0	9,900
Radius (ft)	32.8		47.0	



**WARNING**

**Do Not Raise Boom Above 74° Boom Angle. Loss Of Backward Stability Will Occur Causing a Tipping Condition.**

Load Radius (ft)	70.4 ft		86.2 ft	
	$\Delta^\circ$	360°	$\Delta^\circ$	360°
20	69.5	53,800	73.5	52,900
25	64.5	37,000	70.0	36,300
30	60.0	27,000	66.5	26,500
35	55.0	20,300	62.5	19,900
40	49.5	15,600	58.5	15,200
45	43.5	12,000	54.5	11,700
50	37.0	9,200	50.0	8,900
55	28.5	7,000	45.0	6,700
60	16.5	5,200	40.0	4,900
65			34.0	3,400
70			27.0	2,100
Min.Bm. Ang./Cap.	0.0	4,600	17.0	
Radius (ft)	61.9		75.0	



**WARNING**

**Do Not Raise Boom Above 74° Boom Angle. Loss Of Backward Stability Will Occur Causing a Tipping Condition.**

Not for crane operations

**This Page Left Blank  
Intentionally**

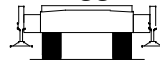
For sales use only

Not for crane operations



**Rated Lifting Capacities In Pounds  
Stationary - Between Tire Tracks**

**With Outrigger Boxes**



**On Tires-Over Rear**

**14,000 lb**



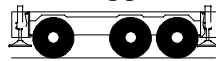
Load Radius (ft)	41.4 ft		55.0 ft		70.0 ft		85.0 ft	
	$\angle^\circ$	Over Rear	$\angle^\circ$	Over Rear	$\angle^\circ$	Over Rear	$\angle^\circ$	Over Rear
10	68.5	75,600						
12	65.5	67,000						
15	60.5	56,900	68.5	47,600				
20	51.5	43,700	62.5	47,600	69.0	25,800		
25	41.5	28,600	56.5	32,700	64.5	25,800	69.5	20,400
30	27.0	19,600	49.5	23,500	59.5	25,800	66.0	20,400
35			41.5	17,500	54.5	19,700	62.0	20,400
40			32.0	13,300	49.0	15,500	57.5	16,200
45			17.5	10,200	43.0	12,300	53.5	13,000
50					36.0	9,900	49.0	10,600
55					28.0	7,900	44.0	8,600
60					15.0	6,300	38.5	7,000
65							32.5	5,700
70							25.0	4,600
75							13.0	3,700
Min.Bm. Ang./Cap.	0.0	15,900	0.0	9,400	0.0	6,000	0.0	3,400
Radius (ft)	32.8		46.5		61.5		76.5	

Load Radius (ft)	100.0 ft		115.0 ft		130.0 ft	
	$\angle^\circ$	Over Rear	$\angle^\circ$	Over Rear	$\angle^\circ$	Over Rear
30	70.0	16,600				
35	66.5	16,600	70.0	13,300		
40	63.0	16,600	67.0	13,300	70.0	10,600
45	60.0	13,500	64.5	13,300	67.5	10,600
50	56.5	11,000	61.5	10,900	65.0	10,600
55	52.5	9,100	58.5	8,900	62.5	8,700
60	49.0	7,500	55.5	7,300	60.0	7,200
65	44.5	6,100	52.0	6,000	57.0	5,900
70	40.0	5,000	49.0	4,900	54.5	4,800
75	35.5	4,100	45.0	3,900	51.5	3,800
80	29.5	3,300	41.5	3,100	48.5	3,000
85	22.5	2,500	37.5	2,400	45.5	2,300
90	12.0	1,900	33.0	1,800	42.0	1,600
Min.Bm. Ang./Cap.	0.0	1,800	31.0		41.5	
Radius (ft)	91.5		91.9		90.5	

Not for crane operations

**Rated Lifting Capacities In Pounds  
Pick & Carry - Boom Centered Over Rear**

**With Outrigger Boxes**



**On Tires**

**14,000 lb**



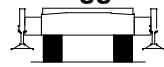
Load Radius (ft)	41.4 ft			55.0 ft			70.0 ft			85.0 ft		
	$\angle$ °	Creep	2.5 mph	$\angle$ °	Creep	2.5 mph	$\angle$ °	Creep	2.5 mph	$\angle$ °	Creep	2.5 mph
10	68.5	75,600	75,600									
12	65.5	67,000	67,000									
15	60.5	56,900	54,100	68.5	37,900	35,800	73.5					
20	51.5	33,700	31,700	62.5	37,900	35,800	69.0	20,500	19,400			
25	41.0	21,700	20,400	56.5	25,600	24,200	64.5	20,500	19,400	69.5	16,400	15,500
30	27.0	14,600	13,600	49.5	18,300	17,300	59.5	20,500	19,400	65.5	16,400	15,500
35				41.5	13,400	12,600	54.5	15,600	14,800	61.5	16,400	15,500
40				32.0	9,900	9,200	49.0	12,100	11,300	57.5	12,800	12,100
45				17.5	7,300	6,700	43.0	9,400	8,800	53.5	10,100	9,500
50							36.0	7,300	6,800	49.0	8,000	7,500
55							27.5	5,700	5,200	44.0	6,400	5,900
60							15.0	4,400	3,900	38.5	5,000	4,600
65										32.5	3,900	3,500
70										25.0	2,900	2,600
75										13.0	2,100	1,800
Min.Bm. Ang./Cap.	0.0	11,500	10,600	0.0	6,700	6,100	0.0	4,000	3,600	0.0	2,000	1,600
Radius (ft)	32.8			46.5			61.5			76.5		

Load Radius (ft)	100.0 ft			115.0 ft			130.0 ft		
	$\angle$ °	Creep	2.5 mph	$\angle$ °	Creep	2.5 mph	$\angle$ °	Creep	2.5 mph
30	69.5	13,200	12,500						
35	66.5	13,200	12,500	69.5	10,400	9,800			
40	63.0	13,200	12,500	67.0	10,400	9,800	70.0	8,200	7,600
45	59.5	10,600	9,900	64.0	10,400	9,800	67.5	8,200	7,600
50	56.0	8,500	7,900	61.0	8,300	7,800	65.0	8,200	7,600
55	52.5	6,800	6,300	58.5	6,700	6,200	62.5	6,600	6,100
60	48.5	5,400	5,000	55.0	5,300	4,900	59.5	5,200	4,800
65	44.5	4,300	3,900	52.0	4,200	3,800	57.0	4,100	3,700
70	40.0	3,400	3,000	48.5	3,200	2,900	54.5	3,100	2,800
75	35.0	2,500	2,200	45.0	2,400	2,100	51.5	2,300	2,000
80	29.5	1,800	1,500	41.5	1,700	1,400			
Min.Bm. Ang./Cap.	26.5			41.0			49.0		
Radius (ft)	82.2			80.6			79.5		

Not for crane operations

**Rated Lifting Capacities In Pounds  
Stationary - 360°**

**With Outrigger Boxes**



**On Tires-360°**

**14,000 lb**



Load Radius (ft)	41.4 ft		55.0 ft	
	$\angle$ °	360°	$\angle$ °	360°
15	60.5	33,500		
20	51.5	20,600		
25	41.0	12,800	56.5	16,300
30	27.0	7,800	49.5	11,200
35			41.5	7,700
40			32.0	5,200
45			17.5	3,300
Min.Bm. Ang./Cap.	0.0	5,500	0.0	2,800
Radius (ft)	32.8		46.5	



**WARNING**

**Do Not Raise Boom Above 62° Boom Angle. Loss Of Backward Stability Will Occur Causing a Tipping Condition.**

Load Radius (ft)	70.0 ft		85.0 ft	
	$\angle$ °	360°	$\angle$ °	360°
30	59.5	13,400		
35	54.5	9,800		
40	49.0	7,200	61.5	10,500
45	43.0	5,300	57.5	7,900
50	36.0	3,700	53.5	5,900
55	27.5	2,500	49.0	4,400
60	15.0	1,500	44.0	3,100
65			38.5	2,100
Min.Bm. Ang./Cap.	0.0	1,200	32.5	1,300
Radius (ft)	61.5		66.3	



**WARNING**

**Do Not Raise Boom Above 62° Boom Angle. Loss Of Backward Stability Will Occur Causing a Tipping Condition.**

**Not for crane operations**

**This Page Left Blank  
Intentionally**

For sales use only

Not for crane operations

**Rated Lifting Capacities In Pounds  
Stationary - Between Tire Tracks**

**With Outrigger Boxes**



**On Tires-Over Rear**

**17,000 lb**



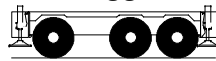
Load Radius (ft)	41.4 ft		55.0 ft		70.0 ft		85.0 ft	
	$\angle^\circ$	Over Rear	$\angle^\circ$	Over Rear	$\angle^\circ$	Over Rear	$\angle^\circ$	Over Rear
10	68.5	77,200						
12	65.5	68,400						
15	60.5	58,000	68.5	48,900				
20	51.5	45,400	62.5	48,900	69.0	27,700		
25	41.5	30,900	56.5	34,900	64.5	27,700	69.5	21,900
30	27.0	21,400	49.5	25,300	59.5	27,700	66.0	21,900
35			41.5	19,000	54.5	21,200	62.0	21,900
40			32.0	14,600	49.0	16,800	58.0	17,400
45			17.5	11,300	43.0	13,400	53.5	14,200
50					36.0	10,900	49.0	11,600
55					28.0	8,800	44.0	9,500
60					15.0	7,200	39.0	7,800
65							32.5	6,400
70							25.0	5,300
75							13.5	4,300
Min.Bm. Ang./Cap.	0.0	17,500	0.0	10,500	0.0	6,700	0.0	4,100
Radius (ft)	32.8		46.5		61.5		76.5	

Load Radius (ft)	100.0 ft		115.0 ft		130.0 ft	
	$\angle^\circ$	Over Rear	$\angle^\circ$	Over Rear	$\angle^\circ$	Over Rear
30	70.0	17,800				
35	66.5	17,800	70.0	14,400		
40	63.0	17,800	67.0	14,400	70.0	11,200
45	60.0	14,600	64.5	14,400	67.5	11,200
50	56.5	12,000	61.5	11,800	65.0	11,200
55	52.5	10,000	58.5	9,800	62.5	9,600
60	49.0	8,300	55.5	8,100	60.0	8,000
65	44.5	6,900	52.0	6,700	57.5	6,600
70	40.5	5,700	49.0	5,600	54.5	5,400
75	35.5	4,700	45.5	4,600	51.5	4,400
80	29.5	3,800	41.5	3,700	48.5	3,600
85	22.5	3,100	37.5	2,900	45.5	2,800
90	12.0	2,500	33.0	2,300	42.5	2,200
95			27.5	1,700	38.5	1,600
Min.Bm. Ang./Cap.	0.0	2,300	25.0		38.0	
Radius (ft)	91.5		96.8		95.4	

Not for crane operations

**Rated Lifting Capacities In Pounds  
Pick & Carry - Boom Centered Over Rear**

**With Outrigger Boxes**



**On Tires**

**17,000 lb**



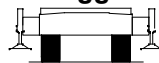
Load Radius (ft)	41.4 ft			55.0 ft			70.0 ft			85.0 ft		
	$\angle$ °	Creep	2.5 mph	$\angle$ °	Creep	2.5 mph	$\angle$ °	Creep	2.5 mph	$\angle$ °	Creep	2.5 mph
10	68.5	77,200	77,200									
12	65.5	68,400	68,400									
15	60.5	58,000	58,000	68.5	40,600	38,500						
20	51.5	36,400	34,400	62.5	40,600	38,500	69.0	22,200	21,000			
25	41.0	23,800	22,400	56.5	27,700	26,200	64.5	22,200	21,000	69.5	17,600	16,800
30	27.0	16,300	15,200	49.5	19,900	18,800	59.5	22,200	21,000	65.5	17,600	16,800
35				41.5	14,800	13,900	54.5	17,000	16,100	61.5	17,600	16,800
40				32.0	11,100	10,400	49.0	13,200	12,500	57.5	14,000	13,200
45				17.5	8,300	7,700	43.0	10,400	9,800	53.5	11,100	10,500
50							36.0	8,200	7,700	49.0	8,900	8,400
55							28.0	6,500	6,000	44.0	7,200	6,700
60							15.0	5,100	4,700	38.5	5,800	5,300
65										32.5	4,600	4,200
70										25.0	3,600	3,200
75										13.0	2,700	2,400
Min.Bm. Ang./Cap.	0.0	13,000	12,100	0.0	7,600	7,000	0.0	4,800	4,300	0.0	2,500	2,200
Radius (ft)	32.8			46.5			61.5			76.5		

Load Radius (ft)	100.0 ft			115.0 ft			130.0 ft		
	$\angle$ °	Creep	2.5 mph	$\angle$ °	Creep	2.5 mph	$\angle$ °	Creep	2.5 mph
30	69.5	14,400	13,700						
35	66.5	14,400	13,700	70.0	11,400	10,800			
40	63.0	14,400	13,700	67.0	11,400	10,800	70.0	9,100	8,500
45	59.5	11,600	11,000	64.0	11,400	10,800	67.5	9,100	8,500
50	56.0	9,400	8,800	61.5	9,200	8,700	65.0	9,100	8,500
55	52.5	7,600	7,100	58.5	7,500	7,000	62.5	7,400	6,900
60	48.5	6,200	5,700	55.0	6,100	5,600	60.0	5,900	5,500
65	44.5	5,000	4,600	52.0	4,900	4,500	57.0	4,700	4,300
70	40.0	4,000	3,600	48.5	3,800	3,500	54.5	3,700	3,400
75	35.5	3,100	2,800	45.0	3,000	2,700	51.5	2,900	2,500
80	29.5	2,400	2,100	41.5	2,200	1,900	48.5	2,100	1,800
85	22.5	1,700	1,500	37.5	1,600	1,300			
Min.Bm. Ang./Cap.	18.5			37.0			46.0		
Radius (ft)	86.9			85.5			84.4		

Not for crane operations

**Rated Lifting Capacities In Pounds  
Stationary - 360°**

**With Outrigger Boxes**



**On Tires-360°**

**17,000 lb**



Load Radius (ft)	41.4 ft		55.0 ft	
	$\angle$ °	360°	$\angle$ °	360°
20	51.5	22,800		
25	41.0	14,400	56.5	17,900
30	27.0	9,100	49.5	12,600
35			41.5	8,900
40			32.0	6,200
45			17.5	4,100
Min.Bm. Ang./Cap.	0.0	6,800	0.0	3,600
Radius (ft)	32.8		46.5	



**WARNING**

**Do Not Raise Boom Above 58° Boom Angle. Loss Of Backward Stability Will Occur Causing a Tipping Condition.**

Load Radius (ft)	70.0 ft		85.0 ft	
	$\angle$ °	360°	$\angle$ °	360°
35	54.5	11,000		
40	49.0	8,200	57.5	8,900
45	43.0	6,100	53.5	6,800
50	36.0	4,500	49.0	5,200
55	27.5	3,200	44.0	3,800
60	15.0	2,100	38.5	2,800
65			32.5	1,800
Min.Bm. Ang./Cap.	0.0	1,900	25.0	
Radius (ft)	61.5		70.0	



**WARNING**

**Do Not Raise Boom Above 58° Boom Angle. Loss Of Backward Stability Will Occur Causing a Tipping Condition.**

**Not for crane operations**

**This Page Left Blank  
Intentionally**

For sale & use only

Not for crane operations



**Rated Lifting Capacities In Pounds  
Stationary - Between Tire Tracks**

**With Outrigger Boxes**



**On Tires-Over Rear**

**26,000 lb**



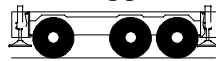
Load Radius (ft)	41.4 ft		55.0 ft		70.0 ft		85.0 ft	
	$\angle^\circ$	Over Rear	$\angle^\circ$	Over Rear	$\angle^\circ$	Over Rear	$\angle^\circ$	Over Rear
10	68.5	92,000						
12	65.5	71,900						
15	60.5	60,900	68.5	51,000				
20	51.5	47,900	63.0	51,000	69.0	32,900		
25	41.5	37,500	56.5	41,600	64.5	32,900	70.0	26,200
30	27.0	26,700	49.5	30,600	60.0	32,900	66.0	26,200
35			41.5	23,300	54.5	25,600	62.0	26,200
40			32.0	18,200	49.0	20,400	58.0	21,100
45			17.5	14,500	43.0	16,700	53.5	17,300
50					36.5	13,700	49.0	14,400
55					28.0	11,400	44.5	12,000
60					15.0	9,500	39.0	10,100
65							32.5	8,600
70							25.0	7,200
75							13.5	6,100
Min.Bm. Ang./Cap.	0.0	22,200	0.0	13,600	0.0	9,000	0.0	5,800
Radius (ft)	32.8		46.5		61.5		76.5	

Load Radius (ft)	100.0 ft		115.0 ft		130.0 ft	
	$\angle^\circ$	Over Rear	$\angle^\circ$	Over Rear	$\angle^\circ$	Over Rear
30	70.0	21,500				
35	67.0	21,500	70.5	17,400		
40	63.5	21,500	67.5	17,400	70.5	13,500
45	60.0	17,700	64.5	17,400	68.0	13,500
50	56.5	14,900	61.5	14,700	65.5	13,500
55	53.0	12,500	58.5	12,400	63.0	12,200
60	49.0	10,600	55.5	10,400	60.0	10,300
65	45.0	9,000	52.5	8,800	57.5	8,700
70	40.5	7,600	49.0	7,500	54.5	7,400
75	35.5	6,500	45.5	6,400	52.0	6,200
80	30.0	5,500	41.5	5,400	49.0	5,300
85	23.0	4,700	37.5	4,500	46.0	4,400
90	12.0	3,900	33.0	3,800	42.5	3,600
95			27.5	3,100	39.0	3,000
100			21.0	2,500	35.0	2,400
105			11.0	2,000	31.0	1,900
Min.Bm. Ang./Cap.	0.0	3,800	0.0	1,900	26.5	
Radius (ft)	91.5		106.5		109.4	

Not for crane operations

**Rated Lifting Capacities In Pounds**  
**Pick & Carry - Boom Centered Over Rear**

**With Outrigger Boxes**



**On Tires**

**26,000 lb**



Load Radius (ft)	41.4 ft			55.0 ft			70.0 ft			85.0 ft		
	$\angle$ °	Creep	2.5 mph	$\angle$ °	Creep	2.5 mph	$\angle$ °	Creep	2.5 mph	$\angle$ °	Creep	2.5 mph
10	68.5	88,800	86,500									
12	65.5	71,900	71,900									
15	60.5	60,900	60,900	68.5	48,500	46,100						
20	51.5	44,300	41,900	62.5	48,500	46,100	69.0	26,800	25,600			
25	41.5	29,700	28,100	56.5	33,600	31,900	64.5	26,800	25,600	69.5	21,500	20,500
30	27.0	20,900	19,700	49.5	24,600	23,400	59.5	26,800	25,600	66.0	21,500	20,500
35				41.5	18,600	17,700	54.5	20,800	19,800	62.0	21,500	20,500
40				32.0	14,500	13,700	49.0	16,600	15,800	58.0	17,300	16,500
45				17.5	11,300	10,600	43.0	13,300	12,700	53.5	14,000	13,400
50							36.0	10,800	10,200	49.0	11,500	10,900
55							28.0	8,800	8,300	44.0	9,500	9,000
60							15.0	7,200	6,700	39.0	7,900	7,400
65										32.5	6,500	6,100
70										25.0	5,400	5,000
75										13.5	4,400	4,000
Min.Bm. Ang./Cap.	0.0	17,200	16,200	0.0	10,500	9,800	0.0	6,800	6,400	0.0	4,200	3,800
Radius (ft)	32.8			46.5			61.5			76.5		

Load Radius (ft)	100.0 ft			115.0 ft			130.0 ft		
	$\angle$ °	Creep	2.5 mph	$\angle$ °	Creep	2.5 mph	$\angle$ °	Creep	2.5 mph
30	70.0								
35	66.5	17,600	16,900	70.0	14,300	13,600			
40	63.0	17,600	16,900	67.0	14,300	13,600	70.0	11,700	11,100
45	60.0	14,500	13,800	64.5	14,300	13,600	67.5	11,700	11,100
50	56.5	12,000	11,400	61.5	11,800	11,200	65.0	11,700	11,100
55	52.5	10,000	9,400	58.5	9,800	9,300	62.5	9,700	9,200
60	49.0	8,300	7,800	55.5	8,200	7,700	60.0	8,100	7,600
65	44.5	6,900	6,500	52.0	6,800	6,400	57.5	6,700	6,300
70	40.5	5,800	5,400	49.0	5,600	5,200	54.5	5,500	5,100
75	35.5	4,800	4,400	45.5	4,700	4,300	51.5	4,500	4,200
80	29.5	3,900	3,600	41.5	3,800	3,500	48.5	3,700	3,300
85	22.5	3,200	2,900	37.5	3,000	2,700	45.5	2,900	2,600
90	12.0	2,600	2,300	33.0	2,400	2,100	42.5	2,300	2,000
95				27.5	1,800	1,500	39.0	1,700	1,400
Min.Bm. Ang./Cap.	0.0	2,400	2,100	22.5			37.5		
Radius (ft)	91.5			98.7			96.8		

**Rated Lifting Capacities In Pounds  
Stationary - 360°**

**With Outrigger Boxes**



**On Tires-360°**

**26,000 lb**



Load Radius (ft)	41.4 ft		55.0 ft	
	$\angle^\circ$	360°	$\angle^\circ$	360°
25	41.0	19,100		
30	27.0	13,000		
35				
40			32.0	9,000
45			17.5	6,600
Min.Bm. Ang./Cap.	0.0	10,300	0.0	6,000
Radius (ft)	32.8		46.5	



**WARNING**

**Do Not Raise Boom Above 46° Boom Angle. Loss Of Backward Stability Will Occur Causing a Tipping Condition.**

Load Radius (ft)	70.0 ft		85.0 ft	
	$\angle^\circ$	360°	$\angle^\circ$	360°
45	43.0	8,600		
50	36.0	6,700		
55	27.5	5,200	44.0	5,800
60	15.0	4,000	38.5	4,600
65			32.5	3,500
70			25.0	2,600
75			13.0	1,900
Min.Bm. Ang./Cap.	0.0	3,600	0.0	1,700
Radius (ft)	61.5		76.5	



**WARNING**

**Do Not Raise Boom Above 46° Boom Angle. Loss Of Backward Stability Will Occur Causing a Tipping Condition.**

**Not for crane operations**

**This Page Left Blank  
Intentionally**

For sales use only

Not for crane operations