



MINI CRAWLER CRANE

MC405C-3

8,480lb.
Maximum Capacity

- 5 SECTION BOOM - 55.1' (16.8m)
- BOOM TIP SEARCHER HOOK (option)
- FLY JIB (option)
- PICK & CARRY
- RUBBER TRACKS
- 2 SPEED TRAVEL & CRANE FUNCTIONS
- MOMENT LIMITER DIGITAL LOAD SYSTEM
- ANTI TWO BLOCK, TILT SENSOR ALARM
- 360° SWING
- AUTOMATIC HOOK STOWAGE
- OPERATOR'S SEAT WITH CENTRALIZED CONTROLS
- REMOTE CONTROL WITH LOAD CAPACITY DISPLAY
- EPA COMPLIANT DIESEL ENGINE,
- DUAL POWER ELECTRIC MOTOR (option)



Specifications

Model		MC405C-3
Maximum Capacity		8,480lb (3,830kg)
Maximum Working Radius		52.5'
Maximum Lifting Height		55.1', 69.0' w/ Fly Jib
Hook Speed		39.4 ft./min [59 ft./min] 4 Part/4th Layer
Hoist Rope		IWRC 6 x WS(26) 8mm x 301'
Boom System	Type	Automatic 5 Section, Pentagonal Telescopic
	Length	15.5' - 54.5'
	Telescopic Stroke / Speed	38.5' / 54.2 sec [41.3 sec]
Fly Jib	Type	Single Length, Box Tube, 1 Point Sheave
	Length	14.8', Total Boom + Fly Jib - 68.8'
	Stowage	Swing Away, Side Stowed On Boom Base
Boom Hoist Angle / Speed		0° - 80° / 24.5 sec [17 sec]
Swing Radius / Speed		360° / 2.1 RPM [2.5 RPM]
Travel Crawler System	Drive	Hydraulic Motor, Stepless Speed Changer
	Travel Speed	0 - 1.80 mph
	Gradability	20° Design Limit 15° Set Limit
	Ground Pressure	7.25 PSI Diesel Model 7.40 PSI Electric Dual Power Model
Engine	Type	Yanmar 3TNV88F-EPMB 4 Cycle, 3 Cylinder, Water Cooled
	Rated Output	23.5 hp / 2400 min-1, 28.3 ps / 2400 RPM
	Fuel Tank	15.8 Gallon
Electric Motor (Dual Power)	Type	Totally Enclosed Fan Cooled Motor
	Size	7.5 kw, 4P, 230V, 3 phase, Inverter 30 hz - 60 hz
Remote Control	Standard	Cable Remote Control, Crane & Outtrigger Operation, Graduated Micro Speed, Load & Rated Load LCD Display
Pick & Carry Capacity		1,100 lb (500kg)
Dimensions	Stowed L x W x H	L 16'4" x W 4'7" x H 6'6"
Net Weight	Diesel Model 12,400 lb. Electric Dual Power +279 lb.	
	Fly Jib +330 lb.	
Optional Equipment		Boom Tip Searcher Hook, Wireless Remote, White Rubber Tracks, Single Part Ball/Hook, Man Basket, Rotation Resistant Wire Rope, Oktopus Glass Lifter/Manipulator, Custom Paint Color, Exhaust Scrubber, Transport Trailer, Outtrigger Pads Searcher Hook 1,870lb (850kg) / 3,300lb (1,500kg) Fly jib 1,140lb (520kg)



Moment Limiter Digital Load System



Remote Control

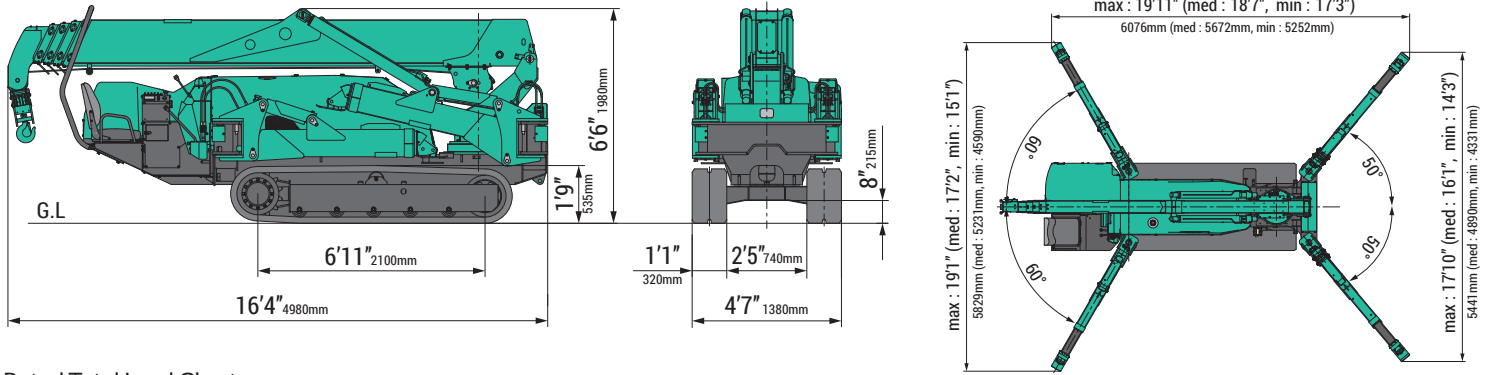


Electric Motor (Option)



Searcher Hook (Option)

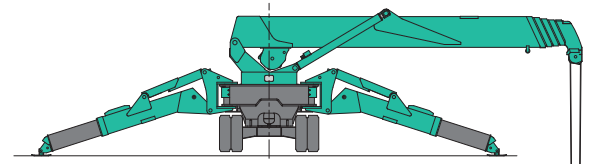




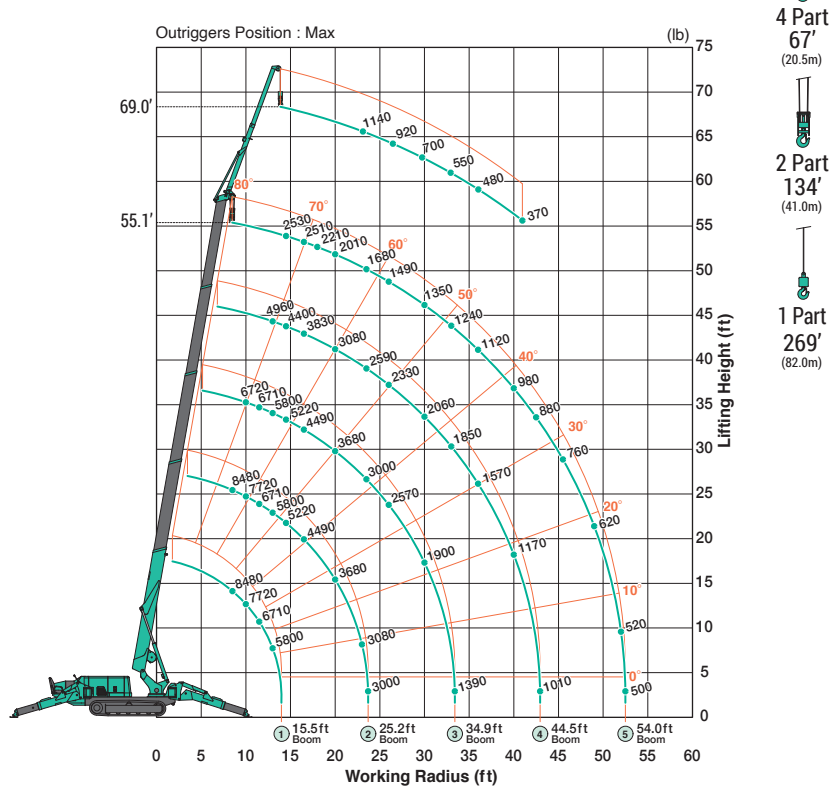
Rated Total Load Chart

MAXIMUM Outriggers, 4 Part Line					
Boom Length	15.5 Ft.	15.6 - 25.2 Ft.	25.3 - 34.9 Ft.	35.0 - 44.5 Ft.	44.6 - 54.0 Ft.
Radius (Ft.)	Load (Lbs.)	Load (Lbs.)	Load (Lbs.)	Load (Lbs.)	Load (Lbs.)
8.5	8480	8480			
10.0	7720	7720	6720		
11.5	6710	6710	6710		
13.0	5800	5800	5800	4960	
14.5		5220	5220	4400	2530
16.5		4490	4490	3830	2510
18.0		4140	4140	3500	2210
20.0		3680	3680	3080	2010
23.0		3080	3080	2640	1710
23.5		3000	3000	2590	1680
26.0			2570	2330	1490
30.0			1900	2060	1350
33.0			1390	1850	1240
36.0				1570	1120
40.0				1170	980
42.5				1010	880
45.5					760
49.0					620
52.0					520
52.4					500

MAX. Reach Below Grade



Working Range Chart (4Parts)



MEDIUM Outriggers, 4 Part Line					
Boom Length	15.5 Ft.	15.6 - 25.2 Ft.	25.3 - 34.9 Ft.	35.0 - 44.5 Ft.	44.6 - 54.0 Ft.
Radius (Ft.)	Load (Lbs.)	Load (Lbs.)	Load (Lbs.)	Load (Lbs.)	Load (Lbs.)
8.5	8480	8480			
10.0	7720	7720	6720		
11.5	6710	6710	6710		
13.0	5800	5800	5800	4960	
14.5		5080	5080	4220	2530
16.5		4150	4150	3610	2510
18.0		3710	3710	3310	2210
20.0		3130	3130	2920	2010
23.0		2590	2520	2420	1650
23.5		2530	2440	2350	1610
26.0			2020	2010	1440
30.0			1600	1590	1230
33.0			1180	1200	1090
36.0				1100	990
40.0				950	860
42.5				790	770
45.5					670
49.0					530
52.0					450
52.4					440

MINIMUM Outriggers, 4 Part Line					
Boom Length	15.5 Ft.	15.6 - 25.2 Ft.	25.3 - 34.9 Ft.	35.0 - 44.5 Ft.	44.6 - 54.0 Ft.
Radius (Ft.)	Load (Lbs.)	Load (Lbs.)	Load (Lbs.)	Load (Lbs.)	Load (Lbs.)
8.5	8480	8480			
10.0	7720	7720	6720		
11.5	6710	6710	6710		
13.0	5800	5800	5800	4960	
14.5		4890	4890	4220	2530
16.5		3710	3710	3600	2510
18.0		3230	3230	3150	2210
20.0		2590	2580	2570	1950
23.0		2070	1980	1870	1640
23.5		1840	1930	1820	1580
26.0			1670	1560	1240
30.0			1270	1210	1020
33.0			960	980	960
36.0				880	860
40.0				800	750
42.5				730	660
45.5					580
49.0					470
52.0					380
52.4					370

The Rated Total Load is based on the actual working radius including boom deflection. Due to wire rope strength and other limitations, when using two part or single part hooks use the appropriate four part Rated Total Load Chart above but with maximum load of:

Two Part - 4,280 lb. Single Part - 2,200 lb.

This Rated Total Load Chart is supplied for reference only. Operator and all personnel must refer to the actual crane Rated Total Load Chart to determine allowable machine lifting and operating procedures. We are constantly improving our products and reserve the right to change design and specifications at any time.

ASME B 30.5 2018. ISO 9001 compliant