

# ES1530L

## LIGHTWEIGHT ELECTRIC SCISSOR LIFT

SCISSOR LIFT



### STANDARD SPECIFICATIONS

Performance	Indoor	Outdoor
Platform Height (Elevated)	15-ft / 4.5-m	10-ft / 3-m
Platform Capacity	500-lb / 227-kg	500-lb / 227-kg
Capacity on Platform Extension	250-lb / 115-kg	250-lb / 115-kg
Number of Occupants	1	1
Lift / Lower Time (No Load)	19/19 seconds	19/19 seconds
Lift / Lower Time (Rated Load)	22/17 seconds	22/17 seconds
Maximum Drive Height	Fully Elevated	Fully Elevated
Weight*	1,940-lb / 880-kg	1,940-lb / 880-kg
Max. Ground Bearing Pressure	116 psi / 8.1 kg/cm <sup>2</sup>	116 psi / 8.1 kg/cm <sup>2</sup>
Drive Speed (Lowered)	2.4 mph / 3.8 km/h	2.4 mph / 3.8 km/h
Drive Speed (Raised)	0.5 mph / 0.8 km/h	0.5 mph / 0.8 km/h
Gradeability	25%	25%
Max Tilt Rating (Side-to-Side)	2.5 Degrees	1.5 Degrees
Max Tilt Rating (Fore and Aft)	3 Degrees	3 Degrees
Turning Radius (Inside)	Zero	Zero
Turning Radius (Outside)	55-in / 1.4-m	55-in / 1.4-m

\*Certain options or country standards increase weight

### KEY SPECS

#### Platform Height

Indoor: 15-ft / 4.5-m  
Outdoor: 10-ft / 3-m

#### Platform Capacity

500-lb / 227-kg

#### Number of Occupants

1

#### Stowed Drive Speed

2.4 mph / 3.8 km/h

### KEY FEATURES

- Lightweight for indoor work on sensitive flooring, such as data centers, while also usable for outdoor applications.
- Maneuver more efficiently with a compact footprint, delivering an industry-exclusive zero turning radius for work in tight spaces.
- Reduce operating costs with electric drive and integrated components containing reduced hydraulic hoses and hydraulic fittings on the entire machine. Meaning, increased uptime as well as fewer leaks and service calls.
- Complies with A92.20 ANSI regulations, achieving the highest standards.

### Power

Batteries	2 x 12V 105 amp-hr
Charger	27 Amp (Universal Algorithm)
Drive	24V Electric

### Tires

Standard	10 x 3-in / 255 x 75-mm
----------	-------------------------

### Brakes

Electric, Friction

### Hydraulic System

Capacity	1.3 gal / 5 L
Pump	Fixed Displacement Gear

### STANDARD FEATURES

- 22-in (55-cm) Foot-Actuated Deck Extension
- AC Receptacle in Platform
- Active Pothole Protection System
- All Motion Alarm
- Analyzer Port for Diagnostics
- Battery Condition Indicator
- ClearSky Smart Fleet™ Hardware (CS550)\*\*
- DeltaQ - 27 amp Multi-Function Universal Charger
- Diamond Tread Steel Deck
- Dynamic Braking
- Fork Lift Pockets
- Greaseless Kingpin Joints
- Horn
- Hourmeter
- Lanyard Attach Points
- Lifting and Tie Down Points
- LED Motion/Amber Beacon (CS550)\*\*
- Load Sensing System
- Lubrication Free Scissor Arm Bushings
- Manual Descent Cable
- Movable, Removable Platform Control
- Nickel Plated Pins
- Proportional Controls
- Removable Ladder
- Scissor Maintenance Prop
- Self Closing Gate
- Steel Swing-Out Doors
- Tilt Alarm and Light
- Visual Variable Tilt Indicator

\*\*Standard beacon and ClearSky Smart Fleet hardware availability varies by model throughout 2023.

### ACCESSORIES & OPTIONS

- Anti-Vandalism Package
- CleanGuard® Leak Containment System
- Coiled Platform Control Box Cable
- Dual Flashing Amber Beacons - LED
- Inverter
- MDI (Ground)
- SkySense® Enhanced Detection System

# ES1530L

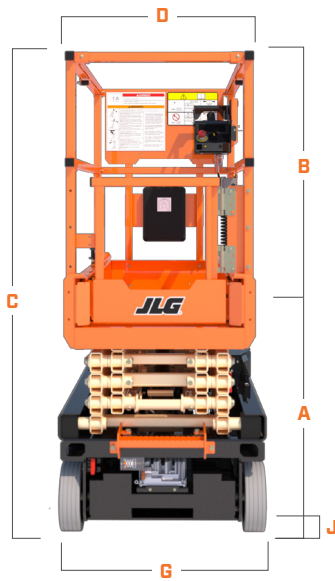
## LIGHTWEIGHT ELECTRIC SCISSOR LIFT

SCISSOR LIFT



### DIMENSIONS

All dimensions are approximate



<b>A.</b> Platform Height (Lowered)	31.1-in / 0.8-m
<b>B.</b> Platform Railing Height	43.3-in / 11-m
<b>C.</b> Machine Height	74.8-in / 1.9-m
<b>D.</b> Platform Width	24.4-in / 0.6-m
<b>E.</b> Platform Length	49.2-in / 1.3-m

<b>F.</b> Platform Extension	21.6-in / 55-cm
<b>G.</b> Machine Width	30-in / 76-cm
<b>H.</b> Machine Length	56.2-in / 1.4-m
<b>I.</b> Wheelbase	42.3-in / 1.1-m
<b>J.</b> Ground Clearance	2.4-in / 6-cm



We provide coverage for one (1) full year, and cover all specified major structural components for five (5) years. Due to continuous product improvements, we reserve the right to make specification and/or equipment changes without prior notification. This machine meets or exceeds applicable ANSI and CSA requirements based on machine configuration as originally manufactured for intended applications. Please reference the serial number plate on the machine for additional information.



**JLG INDUSTRIES, INC.**  
Toll-free US 877-JLG-LIFT  
[JLG.com](http://JLG.com)

An Oshkosh Corporation Company