

# 450AJ HC3

ARTICULATING BOOM LIFT

BOOM LIFT



## HC3

**3 CAPACITY ZONES - EACH  
RATED FOR 3 OCCUPANTS +  
TOOLS/MATERIALS**



### KEY SPECS

**Platform Height**  
45-ft / 13.72-m

**Horizontal Outreach**  
25-ft / 7.62-m

**Up and Over Height**  
24-ft / 7.3-m

**Platform Capacity**  
750/1000-lb / 340/454-kg - Restricted  
660-lb / 300-kg - Unrestricted

### KEY FEATURES

- Features three working zones for enhanced capacity; up to three workers and tools can fit onto the platform.
- Utilizes an upgraded light panel that is more visible in the sun and a chassis tilt alarm that alerts the operator when the machine is on a slope that exceeds 5 Degrees.
- Delivers a zero calibration automatic load sensing system that eliminates the need to use external weights to calibrate the machine.
- Available accessories and options provide the flexibility to upfit the machine to meet unique job requirements.

### ACCESSORIES & OPTIONS

- 1/2-in Air Line to Platform
- 43.5-lb Propane Tank
- AC Generator, 2500W
- Accessory Packages:
  - SkyGlazier® Package
  - SkyPower® Package
  - SkyWelder® Package
- Arctic Package<sup>1</sup>
- Cold Weather Package<sup>2</sup>
- Hostile Environment Package<sup>3</sup>
- Hostile Environment Extreme Package<sup>4</sup> (2WS Only)
- Light Package
- Platform Mesh to Mid or Top Rail
  - Aluminum or Plastic
- Platforms
  - Drop Bar, 30 x 36-in, 30 x 48-in, 30 x 60-in, 30 x 72-in
  - Fall Arrest, Rear Entry, 30 x 60-in
- Inward Self-Closing Swing Gate, 30 x 48-in, 30 x 60-in, 30 x 72-in
- SkySense® Enhanced Detection System
- Soft Touch
- Storage Tray - Center or Corner
- Tow Bar
- Welder Ready Package
- White Noise Alarm

1. Includes Arctic Hydraulic Hoses (Drive And Steer Only) And Main Boom Cable, Extreme Cold Engine Oil, Fuel Conditioner, Engine Block Heater, Battery Blanket, Glow Plugs, Hydraulic Tank Heater, Oversized Foot Switch and Arctic Hydraulic Oil.  
 2. Includes Battery Blanket, Hydraulic Tank Heater, Engine Block Heater Pad.  
 3. Includes Console Cover, Boom Wipers and Cylinder Bellows  
 4. Hostile Environment Package Required; Includes Shields Over Turntable Swivel, Pinion Gear, Turntable Bearing, and Fire Resistant Wrap Over Drive and Steer Hoses.

### STANDARD SPECIFICATIONS

#### Performance

Platform Height	45-ft / 13.72-m
Horizontal Outreach	25-ft / 7.62-m
Up and Over Height	24-ft / 7.3-m
Swing	355 Degrees Non-Continuous
Platform Capacity - Restricted	750/1000-lb / 340/454-kg
Platform Capacity - Unrestricted	660-lb / 300-kg
Platform Size	30 x 72-in / 0.76 x 1.83-m
Platform Rotator	180 Degrees Hydraulic
Jib	4-ft 1-in / 1.24-m
Range of Articulation	145 Degrees (+76, -69)
Weight*	16,550-lb / 7,507-kg
Max. Ground Bearing Pressure	76 psi / 5.34 kg/cm <sup>2</sup>
Drive Speed	4.25 mph / 6.8 km/h
Gradeability 4WD	45%
Tilt Cut Out	5 Degrees
Axle Oscillation	4-in / 10-cm
Turning Radius Inside	6-ft 9-in / 2.06-m
Turning Radius Outside	15-ft 8-in / 4.78-m

#### Engine

Dual Fuel – Kubota WG2503	61 hp / 45.5 kW
Diesel Fuel – Deutz D2.9L4 Tier 4 Final	49 hp / 36.4 kW
Fuel Tank Capacity	16 gal / 60.6 L

#### Tires

Standard	Foam Filled, 33 x 12 D610
Optional	Foam Filled Low Profile Non-marking, IN315/55D20 Foam Filled Low Profile, IN315/55D20 Foam Filled Non-marking, 12 x 16.5 or 14 x 17.5 Foam Filled, 12 x 16.5 or 33/1550 x 15.5 or 14 x 17.5 Foam Filled Turf & Sand, 33 x 16LL500 Solid Low Profile Non-marking, 33 x 12-20

#### Hydraulic System

System Capacity	17.3 gal / 65.5 L
Tank Capacity	15 gal / 56.8 L
Auxiliary Power	12V DC

### STANDARD FEATURES

- 4-ft 1-in (1.24-m) Articulating Jib
- 5 Degree Tilt Alarm/ Indicator Light
- 12V-DC Auxiliary Power
- 110V-AC Receptacle in the Platform
- Cast Aluminum Control Box
- ClearSky Smart Fleet™ Hardware (CS550)\*\*
- Control ADE® System
- Four-Wheel Hydrostatic Drive
- Gull-Wing Turntable Hoods
- Horn
- Hourmeter
- Improved Multi-Function Controls
- LED Motion/Amber Beacon (CS550)\*\*
- Lifting/Tie Down Lugs
- Load Sensing System
- Motion Alarm
- Oscillating Axle
- Platform Console Machine Status Light Panel
- Proportional Controls
- SkyGuard SkyLine™
- Swing-Out Engine Tray

\*Certain Options or Country Standards Increase Weight.

\*\*Standard Beacon and ClearSky Smart Fleet Hardware Availability Varies by Model Throughout 2023.

\*\*\*Provides Indicator Lights at Platform Control Console for System Distress, Low Fuel, Degree Tilt Light and Foot Switch Status.

Not All Options Can Be Outfitted On the Same Machine; Consult Factory for Compatibility. Additional Accessories and Options Available Via JLG Aftermarket.

# 450AJ HC3

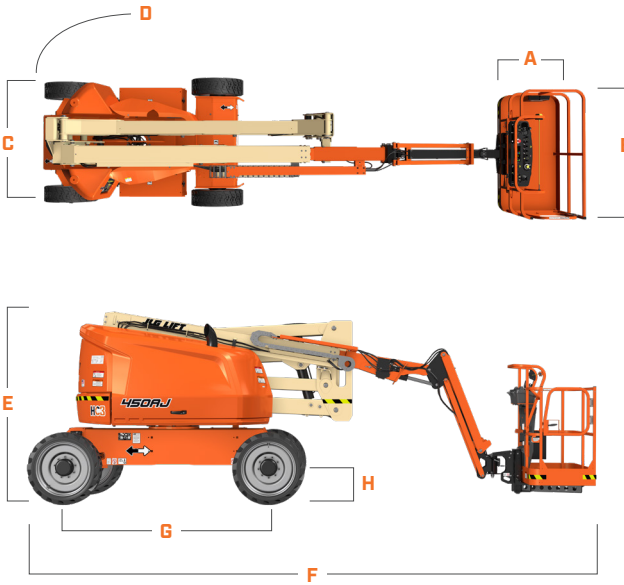
ARTICULATING BOOM LIFT

BOOM LIFT



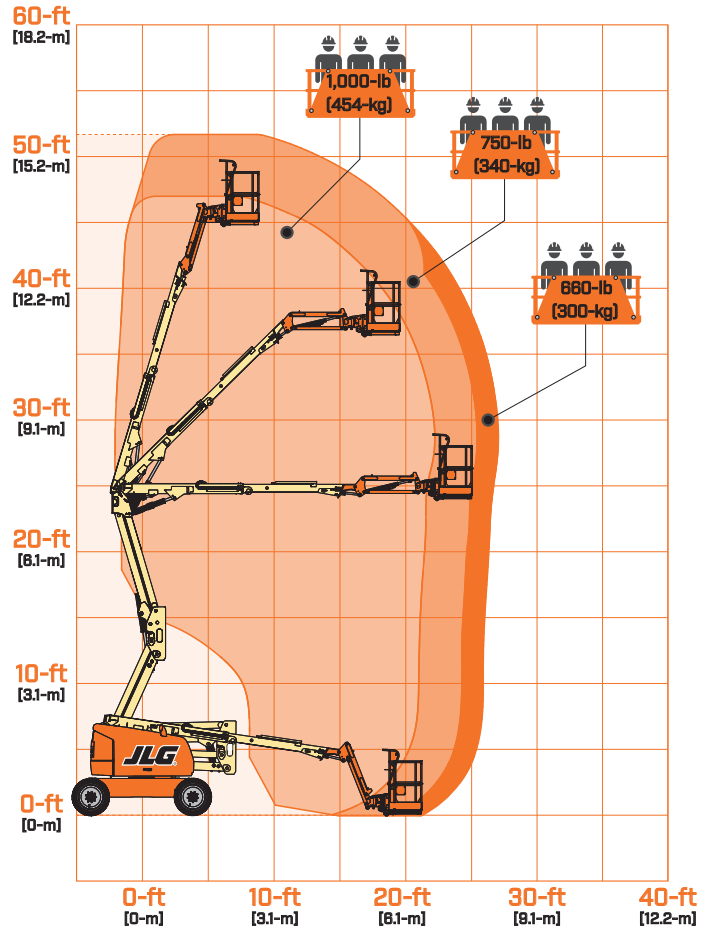
## DIMENSIONS

All dimensions are approximate



- A. Platform Width 30-in / 0.76-m
- B. Platform Length 72-in / 1.83-m
- C. Machine Width 7-ft 8.6-in / 2.35-m
- D. Tailswing Zero
- E. Machine Height 7-ft 5.3-in / 2.27-m
- F. Machine Length 21-ft 6.9-in / 6.57-m
- G. Wheelbase 7-ft 9-in / 2.36-m
- H. Ground Clearance 16.4-in / 41.7-cm

## REACH DIAGRAM



We provide coverage for one (1) full year, and cover all specified-major structural components for five (5) years. Due to continuous product improvements, we reserve the right to make specification and/or equipment changes without prior notification. This machine meets or exceeds applicable ANSI and CSA requirements based on machine configuration as originally manufactured for intended applications. Please reference the serial number plate on the machine for additional information.



JLG INDUSTRIES, INC.  
Toll-free US 877-JLG-LIFT  
JLG.com

An Oshkosh Corporation Company