

# 38AM

ACCESSMASTER®  
PUSH-AROUND VERTICAL

VERTICAL MAST LIFT



## KEY SPECS

### Platform Height

38-ft / 11.58-m

### Machine Width

29.1-in / 74-cm

### Platform Capacity

300-lb / 136-kg

### Weight\*

1,265-lb / 574-kg - AC  
1,395-lb / 633-kg - DC

## KEY FEATURES

- Ideal choice for a low-cost solution to overhead work and maintenance applications.
- Optimum operator comfort and stability with the most rigid mast in the industry.
- Improved maneuverability thanks to six-wheel design.
- More productivity with long battery duty cycles and an automatic charger.

## STANDARD SPECIFICATIONS

### Performance

Performance	Indoor Only
Platform Height	38-ft / 11.58-m
Working Height	44-ft / 13.4-m
Platform Capacity	300-lb / 136-kg
Distance to Wall (Front)	15-in / 38.1-cm
Distance to Wall (Side)	24-in / 61-cm
Weight (AC)*	1,265-lb / 574-kg
Weight (DC)*	1,395-lb / 633-kg

\*Certain options or country standards increase weight

### Power Source

Batteries	12V 93 Amp hr (DC Only)
Battery Charger	Automatic (DC Only)
Drive System	4 Brush Direct Electric (Planetary Gear)

### Wheels

Rear Drive Wheels	10 x 2-in / 25 x 5-cm
Front Caster Wheels	6 x 2-in / 15 x 5-cm

## STANDARD FEATURES

- 26 x 28-in (66 x 71-cm) —Gull-Wing Entry Platform
- 93 AH Lead-Acid Battery—DC Models Only
- 110 Volt Double Receptacle in Platform
- Auto Power Saver—Shuts Off Power When Idled
- Automatic Battery Charger—DC Models Only
- Battery Discharge Indicator (BDI)
- Descent Alarm
- Hourmeter
- Lanyard Attachment Anchor for Body Harness
- Low Maintenance Anodized Mast With 5 Times the Life of Previous Models
- Non-Marking Tires
- Quick-Change Platform Mounts
- Roller Loading Device: For Loading on Pickup Trucks

## ACCESSORIES & OPTIONS

- 12V 100Ah AGM Battery
- 22 x 22-in Gullwing Platform
- 26 x 26-in Right Side Entry Platform
- Amber Beacon
- Auxiliary Lowering
- Crane Hook
- Fluorescent Tube Caddy
- Locking Casters
- Programmable 4-Digit Security Lock
- Tool Tray
- 8 x 18 x 5-in (20 x 46 x 13-cm)

# 38AM

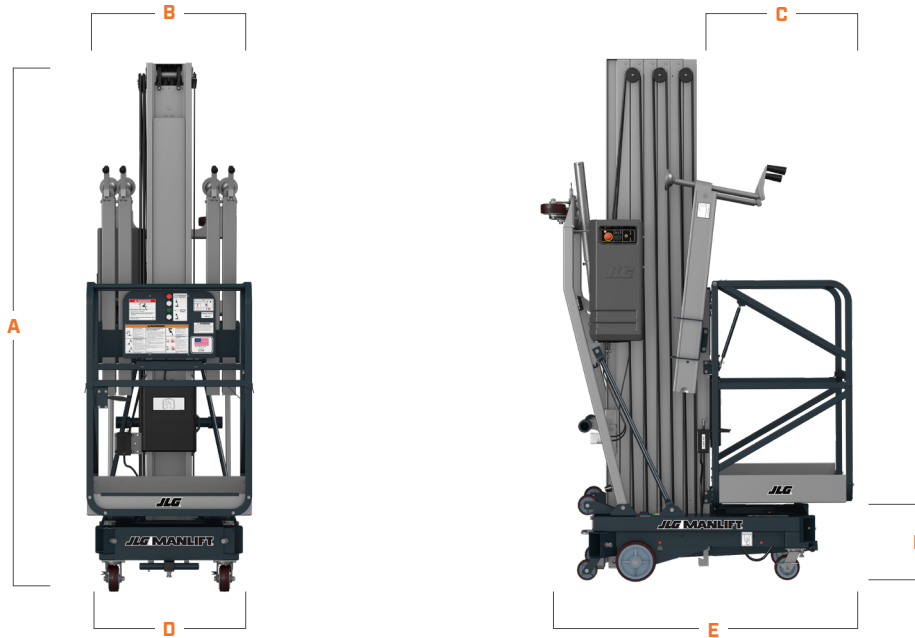
ACCESSMASTER®  
PUSH-AROUND VERTICAL

VERTICAL MAST LIFT



## DIMENSIONS

All dimensions are approximate



A. Machine Height	103.9-in / 2.64-m
B. Platform Width	28-in / 71-cm
C. Platform Length	26-in / 66-cm
D. Machine Width	29.1-in / 74-cm
E. Machine Length	57.4-in / 1.46-m
Machine Length without Battery Pack	47-in / 1.19-m
F. Ground Entry Height	18.9-in / 48-cm



We provide coverage for one (1) full year, and cover all specified major structural components for five (5) years. Due to continuous product improvements, we reserve the right to make specification and/or equipment changes without prior notification. This machine meets or exceeds applicable ANSI and CSA requirements based on machine configuration as originally manufactured for intended applications. Please reference the serial number plate on the machine for additional information.



**JLG INDUSTRIES, INC.**  
Toll-free US 877-JLG-LIFT  
**JLG.com**

An Oshkosh Corporation Company