

# SJ4740

## ELECTRIC SCISSORS



### STANDARD FEATURES

- Drivable at full height
- Variable speed, front wheel hydraulic drive
- Dual holding brakes
- SKYCODED™ Color coded and numbered wiring system
- On-board visual interface with diagnostic capabilities
- Shroud style, impact resistant composite control box with extended cable
- Proportional controls for drive & lift functions
- Tilt Sensor (3.5° x 1.5°)
- 3' (0.91 m) Roll out extension deck
- 24V DC Power source
- Low voltage battery protection
- 25% Gradeability
- Solid rubber, non-marking tires
- Pothole protection system
- 110V AC Outlet on platform with GFI
- 28 mph (12.5 m/s) wind rating to 24' (7.32 m)
- Tilt alarm with drive & lift cut-out
- All motion audible alarm
- Lanyard attachment points
- Operator horn
- Forklift pockets and tie down/lift lugs
- Overload sensing system
- Fold down hinged railing system
- Half height spring hinged entry gate
- Telematics ready
- 5-Year parts warranty on standard charger and controller
- 2-Year Gold Leaf Warranty (5-year structural warranty)

### OPTIONS

- Light duty pipe rack
- Heavy duty pipe rack
- Board carrier
- Tool caddy
- Flashing light
- Dual flashing lights
- 800W AC Inverter
- AGM Batteries
- Lockable swingout trays
- Full height spring hinged entry gate
- Bio oil
- Secondary Guarding Lift Enable (SGLE)
- Non-destructive testing
- ECOTRAY leak containment system
- ELEVATE telematics (3-year or 5-year plans available)
- ELEVATE Battery Management System (BMS)\*
- Warranty options (3-year or 5-year plans available)

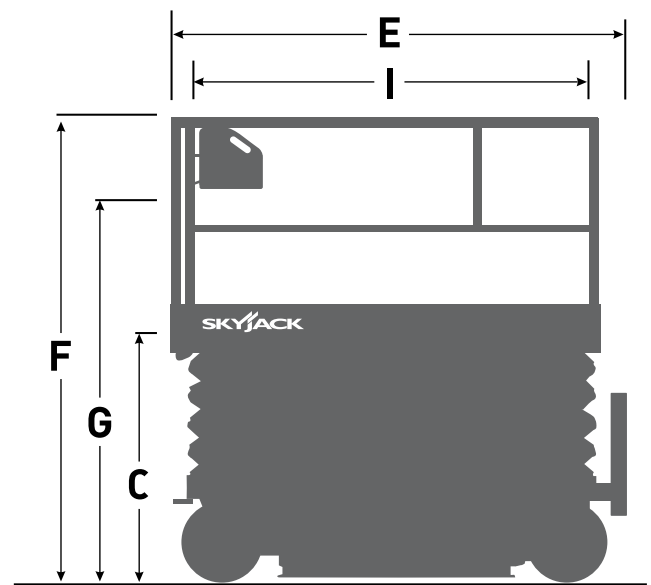
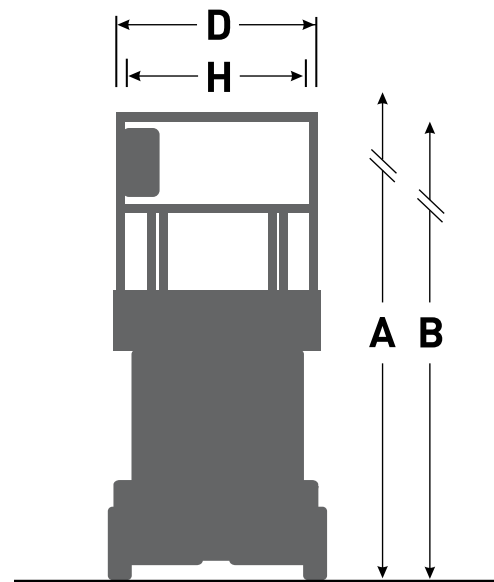
† Standard lead times may be increased when optional equipment is added, consult factory.

‡ Capacities and machine weights may differ when options are added.

\* Only available with ELEVATE telematics

# SJ4740 ELECTRIC SCISSORS

| Dimensions   | SJ4740                             |
|--|------------------------------------|
| <b>A</b> Work Height                                     | 44' 11" (13.69 m)                  |
| <b>B</b> Raised Platform Height                          | 38' 11" (11.86 m)                  |
| <b>C</b> Lowered Platform Height                         | 56" (1.41 m)                       |
| <b>D</b> Overall Width                                   | 47" (1.20 m)                       |
| <b>E</b> Overall Length (Platform Retracted)             | 94.5" (2.40 m)                     |
| <b>F</b> Stowed Height (Rails Up)                        | 99.5" (2.53 m)                     |
| <b>G</b> Stowed Height (Rails Down)                      | 79.5" (2.03 m)                     |
| <b>H</b> Platform Width (Inside Railing)                 | 42" (1.06 m)                       |
| <b>I</b> Platform Inside Length (Retracted)              | 86" (2.19 m)                       |
| Specifications   | SJ4740                             |
| Extension Deck (Roll Out)                                | 3' (0.91 m)                        |
| Ground Clearance (Pothole Raised)                        | 4.5" (11.4 cm)                     |
| Ground Clearance (Pothole Deployed)                      | 0.5" (1.3 cm)                      |
| Wheelbase  | 73" (1.85 m)                       |
| Weight   | 6,467 lbs (2,934 kg)               |
| Gradeability   | 25%                                |
| Turning Radius (Inside)                                  | 17.5" (0.45 m)                     |
| Turning Radius (Outside)                                 | 99" (2.51 m)                       |
| Lift Time (With Rated Load)                              | 68 sec                             |
| Lowered Time (With Rated Load)                           | 41 sec                             |
| Drive Speed (Stowed)                                     | 1.9 mph (3.0 km/h)                 |
| Drive Speed (Raised)                                     | 0.5 mph (0.8 km/h)                 |
| Maximum Drive Height                                     | Full Height                        |
| Capacity (Overall)                                       | 770 lbs (349 kg)                   |
| Distributed Capacity (Main Platform)                     | 505 lbs (229 kg)                   |
| Distributed Capacity (Extension Deck)                    | 265 lbs (120 kg)                   |
| Local Floor Load (With Rated Load)                       | 139 psi (956 kPa)                  |
| Overall Floor Load (With Rated Load)                     | 233 psf (1,137 kg/m <sup>2</sup> ) |
| Maximum # of persons at 0 mph (0 m/s) wind rating        | 3                                  |
| Maximum # of persons up to 28 mph (12.5 m/s) wind rating | 1 up to 24' (7.32 m)               |
| Tire Type  | Solid, N/M                         |
| Tire Size  | 16 x 5 x 12                        |



Skyjack Head Office  
 55 Campbell Rd. Guelph, ON Canada N1H 1B9  
 Sales Inquiries: 1-877-755-4387 (1-877-SJLIFTS)  
 Main Switchboard: 1-800-265-2738  
 Phone: 519-837-0888  
 Fax: 519-837-8104  
 Email: skyjack@skyjack.com

[www.skyjack.com](http://www.skyjack.com)

**SKYJACK**  
 simply reliable™