

# SJ12/16

## VERTICAL MASTS



### STANDARD FEATURES

- Drivable at full height with platform retracted
- Variable speed, front two wheel hydraulic drive
- 90° Steering (zero inside turning radius)
- Dual holding brakes
- Shroud style, impact resistant composite control box
- Proportional controls for drive and lift functions
- 16" (0.41 m) Traversing platform
- 24V DC Power source
- Low voltage battery protection
- 30% Gradeability
- Solid rubber, non-marking tires
- Pothole protection system
- 110V AC Outlet at platform with GFI
- 28 mph (12.5 m/s) wind rating (SJ12 only)
- Tilt alarm with drive & lift cut-out
- All motion audible alarm
- Lanyard attachment points
- Operator horn
- Lift rings/tie downs
- Full height spring hinged entry gate
- SKYCODED™ Color coded and numbered wiring system
- Telematics ready
- Tilt Sensor (3.0° x 1.5°)
- 5-Year parts warranty on standard charger
- 2-Year Gold Leaf Warranty (5-year structural warranty)

### OPTIONS

- Light duty pipe rack
- Tool tray
- Fluorescent tube carrier
- Dual flashing lights
- AGM Batteries
- Saloon gate
- Bio oil
- 28 mph (12.5 m/s) wind rating kit to 12 ft (SJ16 only)
- Secondary Guarding Lift Enable (SGLE)
- Non-destructive testing
- ELEVATE telematics (3-year or 5-year plans available)
- ELEVATE Battery Management System (BMS) \*
- Warranty options (3-year or 5-year plans available)

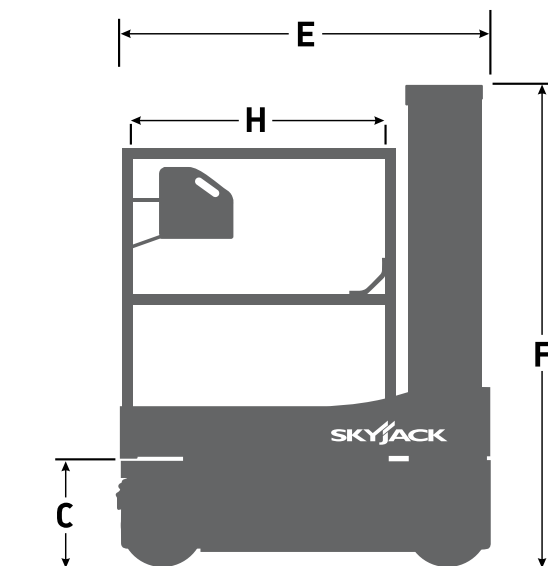
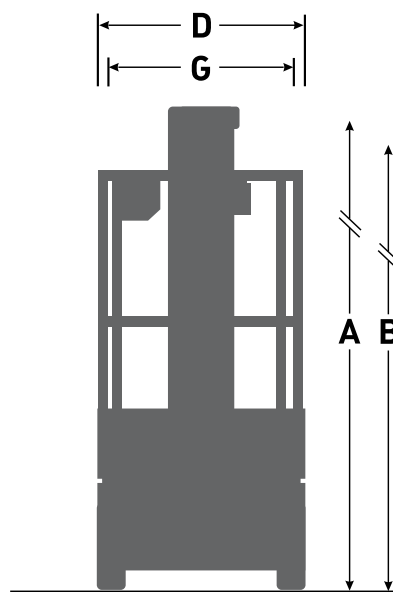
† Standard lead times may be increased when optional equipment is added, consult factory.

‡ Capacities and machine weights may differ when options are added.

\* Only available with ELEVATE telematics

# SJ12/16 VERTICAL MASTS

Dimensions	SJ12	SJ16
<b>A</b> Work Height	18' (5.48 m)	21' 7" (6.58 m)
<b>B</b> Raised Platform Height	12' (3.65 m)	15' 7" (4.75 m)
<b>C</b> Lowered Platform Height	18" (0.46 m)	18" (0.46 m)
<b>D</b> Overall Width	30.5" (0.78 m)	30.5" (0.78 m)
<b>E</b> Overall Length	54" (1.37 m)	54" (1.37 m)
<b>F</b> Stowed Height	70" (1.78 m)	70" (1.78 m)
<b>G</b> Platform Width (Inside Dimension)	27" (0.69 m)	27" (0.69 m)
<b>H</b> Platform Length (Inside Dimension)	33.5" (0.86 m)	33.5" (0.86 m)
Specifications	SJ12	SJ16
Ground Clearance (Pothole Raised)	2.1" (5.3 cm)	2.1" (5.3 cm)
Ground Clearance (Pothole Deployed)	0.5" (1.3 cm)	0.5" (1.3 cm)
Wheelbase	42" (1.07 m)	42" (1.07 m)
Weight	1,905 lbs (863 kg)	2,160 lbs (980 kg)
Gradeability	30%	30%
Turning Radius (Inside)	0	0
Turning Radius (Outside)	55" (1.40 m)	55" (1.40 m)
Lift Time (With Rated Load)	14 sec	21 sec
Lower time (With Rated Load)	15 sec	18 sec
Drive Speed (Stowed)	2.5 mph (4.0 km/h)	2.5 mph (4.0 km/h)
Drive Speed (Raised)	0.5 mph (0.8 km/h)	0.5 mph (0.8 km/h)
Maximum Drive Height	Full Height	Full Height
Capacity (Overall)	500 lbs (227 kg)	500 lbs (227 kg)
Local Floor Load (With Rated Load)	108 psi (745 kPa)	128 psi (880 kPa)
Overall Floor Load (With Rated Load)	213 psf (1,040 kg/m <sup>2</sup> )	236 psf (1,152 kg/m <sup>2</sup> )
Maximum # of Persons at 0 mph (0 m/s) Wind Rating	2	1
Maximum # of Persons up to 28 mph (12.5 m/s) wind rating	1	0 / Optional 1
Tire Type	Solid, N/M	Solid, N/M
Tire Size	12 x 4 x 8	12 x 4 x 8



Skyjack Head Office  
 55 Campbell Rd. Guelph, ON Canada N1H 1B9  
 Sales Inquiries: 1-877-755-4387 (1-877-SJLIFTS)  
 Main Switchboard: 1-800-265-2738  
 Phone: 519-837-0888  
 Fax: 519-837-8104  
 Email: skyjack@skyjack.com

[www.skyjack.com](http://www.skyjack.com)

