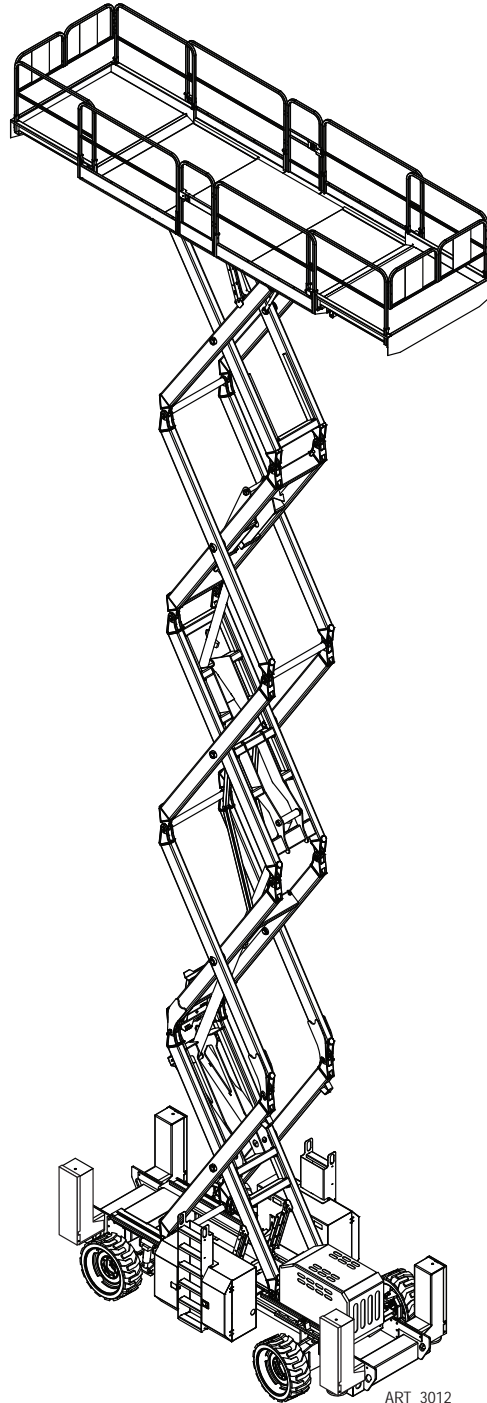




Operator's Manual

92RT Scissor Lifts



5492RT Serial Number Range - 11900001 - Up
6092RT Serial Number Range - 12900001 - Up

Part # 91858
July 2020

Revision History

Date	Reason for Update
July 2020	Tier 4 Final Update



MEC Aerial Work Platforms

1401 S. Madera Avenue, Kerman, CA 93630 USA
Toll Free: 1 - 877 - 632 - 5438
Phone: 1 - 559 - 842 - 1500
Fax: 1 - 559 - 842 - 1520
info@MECawp.com
www.MECawp.com

Table of Contents

Section 1 - Introduction	1
<i>Introduction</i>	1
Section 2 - Safety	2
<i>Safety</i>	2
<i>Safety Alert Symbols & Fall Protection</i>	3
Section 3 - Specifications	4
<i>Specifications</i>	4
Section 4 - Hazards	5
<i>Electrocution Hazard</i>	5
<i>Minimum Safe Approach Distance</i>	6
<i>Tip-Over Hazards</i>	8
<i>Fall and Collision Hazards</i>	9
<i>Additional Safety Hazards</i>	10
Section 5 - Jobsite Inspection	11
<i>Jobsite Inspection</i>	11
Section 6 - Function Tests and Operating Instructions	12
<i>Function Tests</i>	12
<i>Operating Instructions</i>	13
Section 7 - Emergency Systems	20
<i>Emergency Systems</i>	20
Section 8 - Deck Extension	21
<i>Deck Extension</i>	21
Section 9 - Fold Down Platform Railings	22
<i>Fold Down Platform Railings</i>	22
Section 10 - Machine Inspections and Maintenance	24
<i>Machine Inspections and Maintenance</i>	24
<i>Pre-Start Inspection Checklist</i>	26
<i>Monthly Inspection Checklist</i>	27
<i>Quarterly Inspection Checklist</i>	28
<i>Annual Inspection Report</i>	29
<i>Maintenance</i>	30
<i>Routine Maintenance</i>	32
<i>Lubrication</i>	33
Section 11 - Component Locations.	34
<i>Component Locations</i>	34
<i>Upper Controls</i>	36
<i>Lower Controls</i>	37
<i>Warning and Instructional Decals</i>	38

Section 12 - Warning and Instructional Decals	38
<i>Warning and Instructional Decals</i>	38
Section 13 - Troubleshooting	42
<i>Troubleshooting</i>	42
<i>Serial Plate Location</i>	43
<i>Transport and Lifting Instructions</i>	44
<i>Driving or Winching onto or off of a Transport Vehicle.</i>	45
<i>Lifting and Tie Down Instructions</i>	46

Introduction

This Operator's Manual has been designed to provide you, the owner, user or operator, with the instructions and operating procedures essential to properly and safely operate your MEC Aerial Work Platform for positioning personnel, along with their necessary tools and materials, to overhead work locations.

This Operator's Manual and other manuals provided by MEC on the machine must be read and understood prior to operating your MEC Aerial Work Platform. The operator should not accept operating responsibility until he/she has read and understands the operator's manual as well as having operated the MEC Aerial Work Platform under supervision of an authorized, trained and qualified operator.



It is essential that the operator of the aerial work platform is not alone at the workplace during operation.

Modifications of this machine from the original design and specifications without written permission from MEC are strictly forbidden. A modification may compromise the safety of the machine, subjecting the platform occupants and personal around the machine to serious injury or death.

Your MEC Aerial Work Platform has been designed, built, and tested to provide safe, dependable service. Only authorized, trained and qualified personnel shall be allowed to operate or service the machine.

MEC, as manufacturer, has no direct control over machine application and operation. Proper safety practices are the responsibility of the owner, user and operator.

If there is a question on application and/or operation contact:



MEC Aerial Work Platforms

1401 S. Madera Avenue, Kerman, CA 93630 USA

Toll Free: 1 - 877 - 632 - 5438

Phone: 1 - 559 - 842 - 1500

Fax: 1 - 559 - 842 - 1520

info@MECawp.com

www.MECawp.com

Safety

DO NOT operate this machine until you have read and understood this manual, have performed the Workplace Inspection, Pre-Start Inspection and Routine Maintenance, and have completed all the test operations detailed in the Operating Instructions section.

Failure to read, understand and follow all safety rules, warnings, and instructions could result in serious injury or death. For your safety and the safety of those around you, you must operate your machine as instructed in this manual.

MEC designs aerial work platforms to safely and reliably position personnel, along with their necessary tools and materials, at overhead work locations. The owner/user/operator of the machine should not accept responsibility for the operation of the machine unless properly trained.

ANSI and other applicable standards identify requirements of all parties who may be involved with self-propelled elevating work platforms. The Manual of Responsibilities is considered a part of this machine and can be found in the manual compartment, located at the platform control station. To ensure safe use of machine, inspections and training specified in ANSI/SIA A92.22 & A92.24 must be performed at designated intervals as prescribed.



This product can expose you to chemicals known to the State of California to cause cancer and birth defects or other reproductive harm. For more information go to www.p65warnings.ca.gov.

Safety Alert Symbols & Fall Protection

MEC manuals and decals use symbols, colors and signal words to help you recognize important safety, operation and maintenance information.



RED and the word **DANGER** – Indicates an imminently hazardous situation which, if not avoided, will result in death or serious injury.



ORANGE and the word **WARNING** – Indicates a potentially hazardous situation which, if not avoided, could result in death or serious injury.



YELLOW with alert symbol and the word **CAUTION** – Indicates a potentially hazardous situation which, if not avoided, may result in minor or moderate injury.



YELLOW without alert symbol and the word **CAUTION** – Indicates a potentially hazardous situation which, if not avoided, may result in property damage.



GREEN and the word **NOTICE** – Indicates operation or maintenance information.

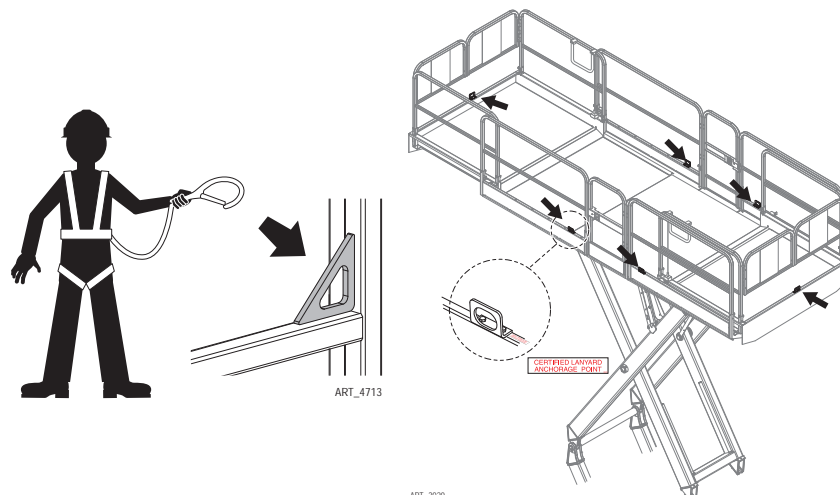
Fall Protection

Operators must comply with employer, job site and governmental rules regarding the use of personal protective equipment.

If required by your employer or job site, use personal fall protection equipment (PFPE) when operating this machine.

All PFPE must comply with applicable governmental regulations, and must be inspected and used in accordance with the PFPE manufacturer's instructions.

Fall restraint must be properly attached to a designated anchorage point when driving or operating the machine. Attach only one fall restraint to each anchorage point.



Specifications

		5492RT		6092RT	
Working Height*	Outriggers Deployed	60 ft*	18.46 m*	66 ft*	20.12 m
	Outriggers Not Deployed	36 ft*	11.15 m*	36 ft*	11.15 m*
Platform Height	Outriggers Deployed	54 ft	16.46 m	60 ft	18.29 m
	Outriggers Not Deployed	30 ft	9.15 m	30 ft	9.15 m
Stowed Height	Rails Up	128 in	3.25 m	128 in	3.25 m
	Rails Folded Down	97 in	2.46 m	97 in	2.46 m
Maximum Occupants		5		4	
Lift Capacity		1,500 lbs	680 kg	1,200 lbs	545 kg
Length (Inside Rails)		202 in	5.13 m	202 in	5.13 m
Platform Width (Inside Rails)		75 in	1.91 m	75 in	1.91 m
Guardrail Height		44.75 in	1.14 m	44.75 in	1.14 m
Toeboard Height		7 in	18 cm	7 in	18 cm
Overall Length		209 in	5.31 m	209 in	5.31 m
Overall Width		92 in	2.34 m	92 in	2.34 m
Wheel Base		114 in	2.9 m	114 in	2.9 m
Wheel Track		80 in	2.03 m	80 in	2.03 m
Turning Radius	Inside	7 ft 0 in	2.13 m	7 ft 0 in	2.13 m
	Outside	17 ft 6 in	5.33 m	17 ft 6 in	5.33 m
Ground Clearance		13 in	43 cm	13 in	43 cm
Machine Weight** (Approximate, Unloaded)		19,600 lb**	8,890 kg**	21,780 lb**	9,880 kg
Drive System (Proportional)	Speed - Platform Elevated	0-0.4 mph	0-0.6 km/h	0-0.25 mph	0-0.4 km/h
	Speed - Platform Lowered	0-4.4 mph	0-7.0 km/h	0-4.4 mph	0-7.0 km/h
Lift/Lower Speeds (Approximate)		60 sec/65 sec		72 sec/102 sec	
Gradeability		40%/22°		40%/22°	
Ground Pressure/Wheel (Maximum)		74 psi	5.2 kg/cm ²	80.4 psi	5.65 kg/cm ²
Wheel Load		6,350 lb	2,880 kg	6,900 lb	3,130 kg
Wind Speed (Maximum)		28 mph	45 km/h (12.5 m/s)	28 mph	45 km/h (12.5 m/s)
Noise Level (Maximum)		86 dB		86 dB	
Tire Size - Standard		12.0-21.5, 32.8 non-marking 12-ply, foam-filled		12.0-21.5, 32.8 non-marking 12-ply, foam-filled	
Wheel Lug Nut Torque		120 ft/lb	162.7 Nm	120 ft/lb	162.7 Nm
Hydraulic Pressure	Drive System	4,500 psi	310 bar	4,500 psi	310 bar
	Lift System	2,800 psi	193 bar	2,800 psi	193 bar
	Steering System	2,800 psi	193 bar	2,800 psi	193 bar
Hydraulic Fluid Capacity		40 gallon	151 liters	40 gallon	151 liters
Power Source		Kubota V2403 Diesel		Kubota D1803 Diesel	
Ambient Operating Range		-30° C minimum; 50° C maximum		-30° C minimum; 50° C maximum	
Fuel Capacity		25 gallon	95 liter	25 gallon	95 liter
Brakes		4 Wheel Multi-Disc		4 Wheel Multi-Disc	
Meets requirements of ANSI 92.20-2020 and CSA B354.6-2019.					
*Working Height adds 6 feet (2 m) to platform height.					
**Weight may increase with certain options or country standards.					

Electrocution Hazard

ELECTROCUTION HAZARD!!! THIS MACHINE IS NOT INSULATED!

DEATH OR SERIOUS INJURY will result from contact with or inadequate clearance from any electrically charged conductor.



You must maintain a **CLEARANCE OF AT LEAST 10 FEET (3.05 m)** between any part of the machine, or its load, and any electrical line or apparatus carrying over 300 Volts up to 50,000 Volts. One foot (30.5 cm) additional clearance is required for every additional 30,000 Volts.

Observe Minimum Safe Approach Distance.

DO NOT work in close proximity to, or in contact with, energized power lines and electrical equipment. This machine is not insulated and WILL NOT protect the operator from injury or the machine from damage.



Art_2824

Refer to Table and all applicable governmental regulations for the minimum safe distances from energized power lines and electrical equipment.

Minimum Safe Approach Distance

Voltage	Minimum Safe Approach Distance	
	Feet	Meters
0 to 300 Volts	Avoid Contact	
Over 300V to 50kv	10	3.05
Over 50KV to 200KV	15	4.60
Over 200KV to 350KV	20	6.10
Over 350KV to 500KV	25	7.62
Over 500KV to 750KV	35	10.67
Over 750KV to 1000KV	45	13.72



Art_2823

DO NOT touch the machine if it contacts energized power lines.

Personnel in the platform:

- Move away from the platform rails,
- DO NOT attempt to operate the machine, and
- DO NOT touch any part of the machine until energized power lines are shut off.

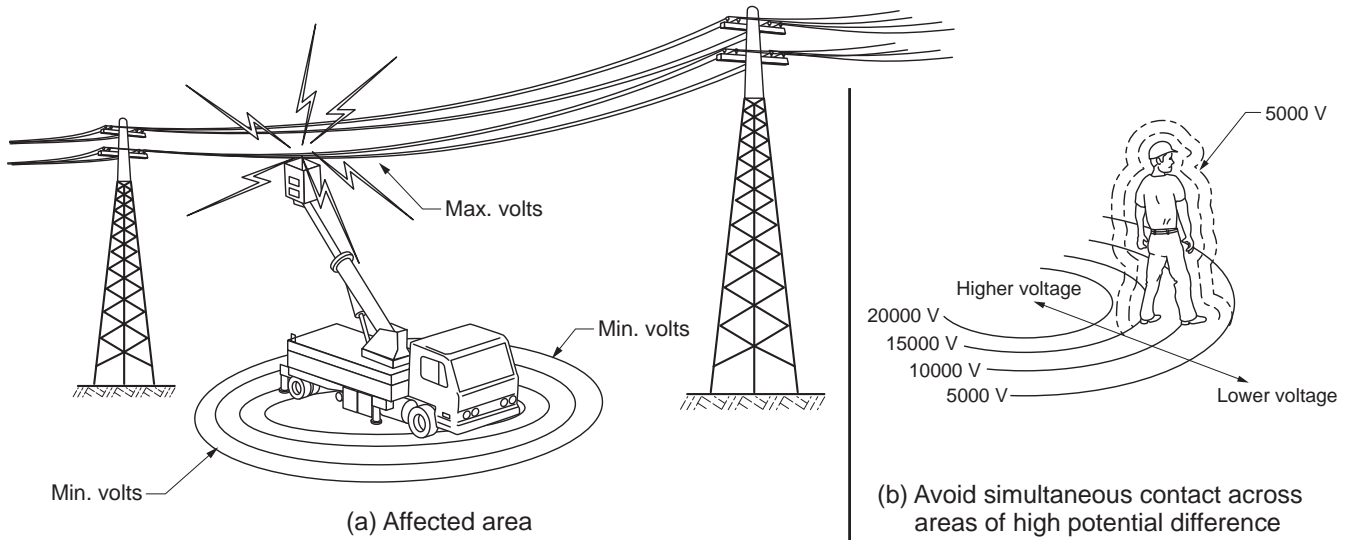
Personnel on the ground:

- DO NOT approach the machine and
- DO NOT touch or attempt to operate the machine until energized power lines are turned off.

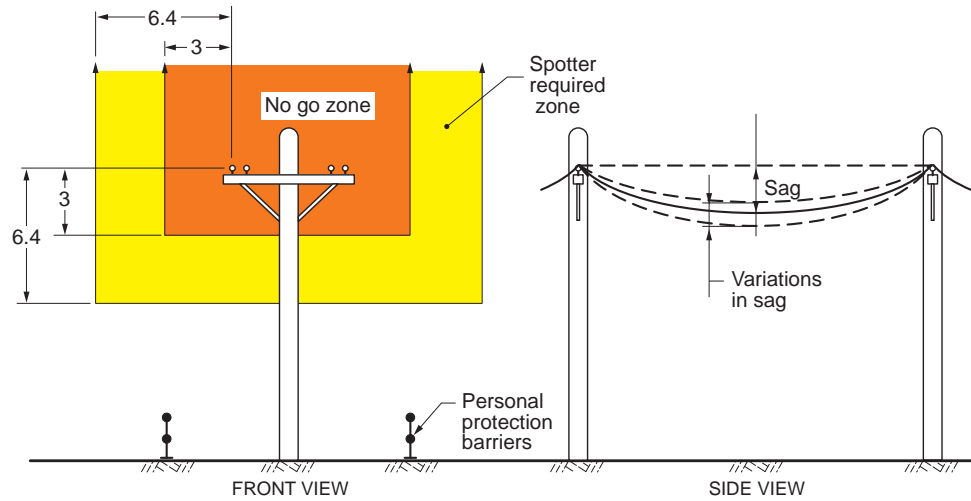
Do not operate the machine during electrical storms or lightning.

DO NOT use the machine as a ground for welding unless properly equipped with a weld line to platform option.

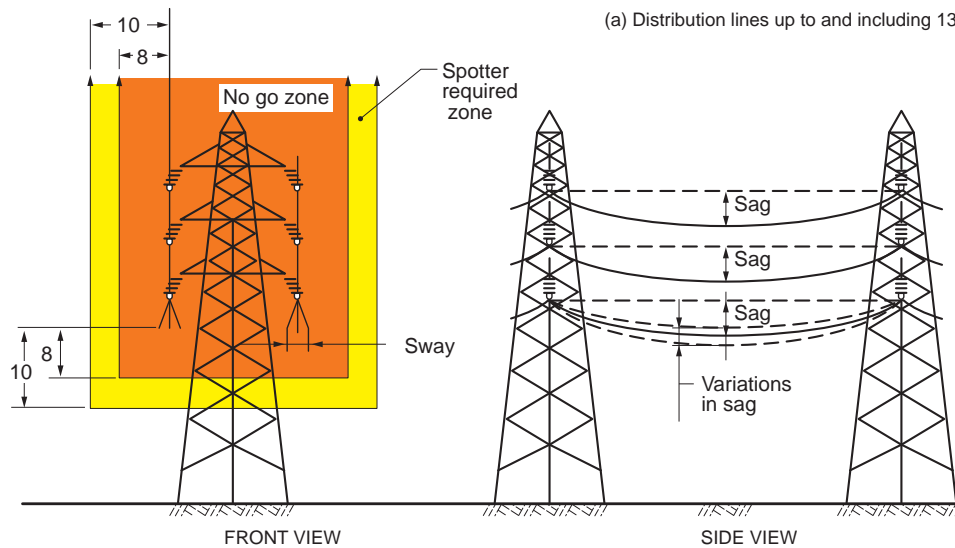
Minimum Safe Approach Distance



CLEARANCES FROM LIVE AERIAL CONDUCTORS



(a) Distribution lines up to and including 133 kV



(b) Transmission lines greater than 133 kV

LEGEND

- = No shading, in the front views, indicates no proximity requirements
- = Light shading indicates spotter is required
- = Heavy shading indicates the NO GO ZONE

ART_3265

When working in the area of energized conductors the user shall direct and the operator shall comply with the requirements to:

- a. Stay at least 10 feet away from power lines with any part of their body, conductive object or any part of the MEWP.
- b. If work requires working nearer than 10 feet, stop and consult a qualified person with respect to electrical transmission and distribution to have appropriate measures taken (such as de-energizing and grounding).
- c. If there is a question that the power lines may carry more than 50kV, consult a qualified person with respect to electrical transmission and distribution before proceeding.
- d. If working or approaching closer than explained above, it shall only be done by a qualified person with respect to electrical transmission and distribution. Only qualified persons may work on electric circuit parts or equipment that has not been de-energized. Such persons shall be capable of working safely on energized circuits and shall be familiar with the proper use of special precautionary techniques, personal protective equipment, insulating and shielding materials and insulated tools.

Tip-Over Hazards



Art_2828

DO NOT exceed the maximum platform capacity (see Specifications). The weight of options and accessories will reduce the rated platform capacity and must be factored into the total platform load. Refer to the decals on the options.

DO NOT elevate the platform when the machine is on a surface that is soft and / or on a slope.

If the alarm sounds when the platform is raised, use extreme caution to lower the platform.

Driving: DO NOT drive the machine on a slope that exceeds the maximum uphill, downhill or side slope rating. Slope rating applies to machines in the stowed position. Slope rating is subject to ground and traction conditions.

Driving in stowed position: use extreme care and slow speeds when driving across uneven terrain, debris, unstable or slippery surfaces, and near holes or drop-offs.

Driving with the platform elevated: DO NOT drive on or near uneven terrain, unstable surfaces or other hazardous conditions.

DO NOT push off or pull toward any object outside the platform.



Art_2834

Maximum Allowable Side Force	5492RT	6092RT
	90 lbs (400 N)	90 lbs (400 N)



Art_2833

DO NOT elevate the platform when wind speeds are in excess of 28 m.p.h. (12.5 m/s). If these wind speeds occur when the platform is elevated, carefully lower and discontinue operation.

DO NOT increase the surface area of the platform (i.e. cover the rails with tarp or plywood). Increased surface area exposed to the wind will decrease machine stability.

DO NOT attach overhanging loads or use the machine as a crane.

DO NOT transport tools and materials unless they are evenly distributed and can be safely handled by personnel in the platform. Secure all tools and loose materials to prevent injury to personnel below the platform.

DO NOT alter or disable machine components that may affect safety and stability.

DO NOT replace items critical to machine stability with items of different weight or specification.

DO NOT modify or alter the work platform without written permission from MEC, as modifications can increase weight and/or surface area resulting in instability.

DO NOT place ladders or scaffolds in the platform or against any part of the machine.

DO NOT use the machine on a moving or mobile surface or vehicle.

Ensure that all tires are in good condition, air filled tires are properly inflated and lug nuts are properly torqued.



Art_2832

Fall and Collision Hazards

Fall Hazards



Art_2826

DO NOT sit, stand or climb on the platform guard rails. Maintain a firm footing on the platform floor at all times.

DO NOT exit the platform when elevated

DO NOT climb down from the platform when elevated.

Keep the platform floor clear of debris.



Art_2825

DO NOT fasten a fall restraint lanyard to an adjacent structure.

Ensure that the entry is properly closed before operating the machine.

Operators must comply with employer, job site and governmental rules regarding the use of personal protective equipment.

Collision Hazards



Art_2835

Be aware of blind spots while operating this machine.

Watch for overhead obstructions when elevating the platform.



Art_2829

Watch for crushing hazards when holding the platform rail.

Reduce travel speed when moving the machine on slopes, when near personnel and obstacles, or when surface conditions are wet, slippery or otherwise limiting.



Art_2827

DO NOT operate in the path of any crane unless the controls of the crane have been locked out and/or precautions have been taken to prevent any possible collision.

Stunt driving and horseplay are PROHIBITED.

Additional Safety Hazards

Explosion and Fire Hazards

- DO NOT operate the machine in hazardous locations or locations where potentially flammable or explosive gasses or particles may be present.

Damaged Machine Hazards

- Conduct a thorough pre-start inspection of the machine and test all functions before each work shift to check for damage, malfunction and unauthorized modification. Tag and remove a damaged, malfunctioning or modified machine from service. DO NOT use a damaged, malfunctioning or modified machine.
- Routine maintenance must be performed by the operator before each work shift. Scheduled maintenance must be performed by a qualified service technician at scheduled intervals. Tag and remove from service any machine that has not had scheduled preventative maintenance performed.
- Check that all safety and instructional decals are in place and undamaged.
- Check that the operator's, safety and responsibilities manuals are present in the storage container located in the platform. All manuals must be complete, undamaged and readable.

Bodily Injury Hazards

- DO NOT operate the machine when there is a hydraulic fluid or air leak. Hydraulic fluid or air under pressure can penetrate and/or burn skin.
- All compartments must remain closed and secure during machine operation. Improper contact with components under any cover will cause serious injury. Only trained maintenance personnel should access compartments. The operator should only access a compartment when performing pre-operation inspection.

Weld Line to Platform Safety (if equipped)

- Read, understand and follow all warnings and instructions provided with the welding power unit.
- Do not connect weld leads or cables unless the welding power unit is turned off at the platform controls.
- DO NOT operate unless the weld cables are properly connected.

Battery Safety

Burn Hazards

- Batteries contain acid. Always wear protective clothing and eye wear when working with batteries.
- Avoid spilling or contacting battery acid. Neutralize battery acid spills with baking soda and water.

Explosion Hazard

- Keep sparks, flame and lighted tobacco away from batteries. Batteries emit explosive gas.

Electrocution Hazard

- Avoid contact with electrical terminals.

Jobsite Inspection

DO NOT operate this machine until you have read and understood the **Safety** section of this manual, have performed the **Jobsite Inspection, Pre-Start Inspection and Routine Maintenance**, and have completed all the test operations detailed in the **Operating Instructions** section.

Inspect the jobsite and determine whether the jobsite is suitable for safe machine operation. Do this before moving the machine to the jobsite.

Be aware of changing jobsite conditions, and continue to watch for hazards while operating the machine.

Workplace Inspection

Check the jobsite where the machine will be used for all possible hazards, including but not limited to:

- Drop-offs or holes, including those concealed by water, ice, mud, etc.
- Sloped, unstable or slippery surfaces
- Bumps, surface obstructions and debris
- Overhead obstructions and electrical conductors
- Hazardous locations and atmospheres
- Inadequate surface and support to withstand all load forces imposed by the machine
- Wind and weather conditions
- The presence of unauthorized personnel
- Other possible unsafe conditions

Function Tests

DO NOT operate this machine until you have read and understood the Safety section of this manual, have performed the Pre-Start Inspection, Routine Maintenance, and Functions Test, have inspected the jobsite for hazards, and have learned the operating procedures for this machine.

The operator must conduct a Functions Test of the machine before each work shift to check that all machine systems are working properly.

Test the machine on a firm level surface with no debris, drop-offs, potholes or overhead obstructions. Perform each step outlined in Operating Instructions on page 13.

DO NOT use a machine that is malfunctioning. If any function does not perform as described, tag the machine and remove for repair by a qualified service technician. After repairs are completed, a Pre-Start Inspection and Functions Test must be performed before using the machine.

Operating Instructions

DO NOT operate this machine until you have read and understood the Safety section of this manual, have performed the Jobsite Inspection, Pre-Start Inspection and Routine Maintenance, and have completed all the test operations detailed in the Operating Instructions section.

This section provides instructions for each function of machine operation. Follow all safety rules and instructions.

This machine may be operated by trained and authorized personnel only. If multiple operators use this machine, all must be qualified and authorized to use it. New operators must perform a Pre-Start Inspection and Functions Test prior to operating the machine.

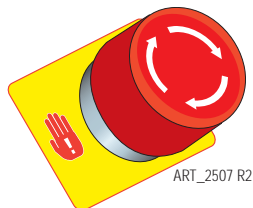
Operators must comply with employer, job site and governmental rules regarding the use of personal protective equipment – see Fall Protection on page 3.

Prestart

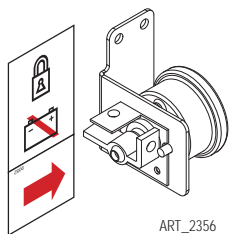


Perform Prestart Inspection (see page 26).

Check base control Emergency Stop Switch – turn clockwise to reset.



Check platform control Emergency Stop Switch – turn clockwise to reset.



Check Battery Disconnect Switch in Control Module next to Base Controls. Must be in ON position.

Starting Engine from Lower Control Panel



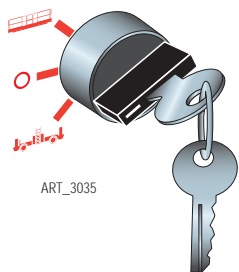
ON

Be sure that the upper and lower EMERGENCY STOP Switches are reset.

- **Lower Control Box:** Hold switch in upper position until engine starts. Release when engine starts then the switch will return to ON position.



ART_3212



- **Lower Control Box:** Turn key switch to BASE.

Diesel Engine



- Flip switch to the top position to start the engine and then the switch will return to ON position.
- **Cold Start:** Flip the switch to ON position then wait as indicated in the Preheat table before flipping switch to top position.

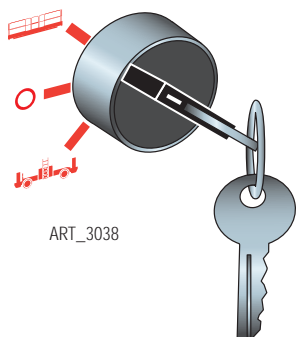


Preheat Table

Ambient Temperature	Preheat Time
Above 50°F (10°C)	5 Seconds
50°F to 23°F (10°C to -5°C)	10 Seconds
Below 50°F (-5°C)	20 Seconds
20 Seconds = Limit of Continuous Use	



Starting Engine from Upper Control Box



- **Upper Control Box:** Turn the Key Switch to PLATFORM.

Diesel Engine



- **Upper Control Box:** Hold switch in upper position until engine starts. Release when engine starts then the switch will return to ON position.
- **Cold Start:** Flip the switch to ON position then wait as indicated in the Preheat table before flipping switch to top position.



Preheat Table

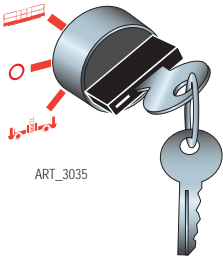
Ambient Temperature	Preheat Time
Above 50°F (10°C)	5 Seconds
50°F to 23°F (10°C to -5°C)	10 Seconds
Below 50°F (-5°C)	20 Seconds
20 Seconds = Limit of Continuous Use	



Base Controls Operation and Test

IMPORTANT Be sure the area above the machine is clear of obstructions to allow full elevation of platform.

Select BASE Operation



Turn the Selector Key Switch to BASE.

Emergency Stop



Press the Emergency Stop Switch at any time to stop all machine functions.

Turn switch clockwise to reset.



Do not elevate the platform if the machine is not on a firm level surface.

Elevate Platform

- Press and hold the RAISE button on the base control panel to elevate the platform.

Test Operation

- Elevate to maximum height.

Note Platform will not elevate beyond 30 ft. (9.15 m) without the outriggers deployed

- Releasing the button will stop elevation.
- Pressing the Emergency Stop Switch will stop elevation.

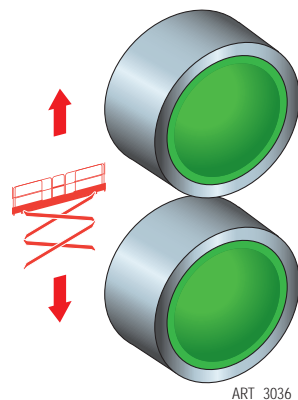
Lower Platform

- Press the LOWER button on the base control panel until the desired platform height is reached.

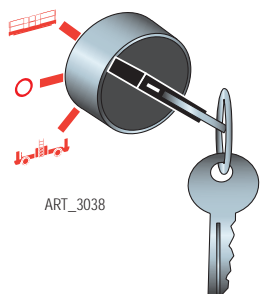
Test Operation

- Lower the platform to the stowed position.
- Releasing the button will stop descent.
- Pressing the Emergency Stop Switch will stop descent.

Platform Control Operation and Test



IMPORTANT Check that the route of travel to be taken is clear of persons, obstructions, debris, holes, and drop offs, and is capable of supporting the machine.



Select PLATFORM Operation

- **Lower Control Box:** Turn the selector switch to PLATFORM.



Operate from Platform

- Hold switch in upper position until engine starts. Release when engine starts.

- If equipped, press the Horn Button to verify proper operation.

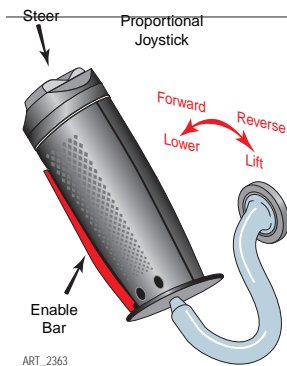
Overload Light

- Light ON indicates too much weight on the platform.
- An audible alarm will sound and all machine function will stop.
- Remove weight from the platform to restore function and continue.

Emergency Stop

- Press the EMERGENCY STOP switch at any time to stop all machine functions.
- Turn switch clockwise to reset.

Activation of the EMERGENCY STOP switch will apply brakes immediately. This may cause unexpected platform movement as the machine comes to a sudden stop. Brace yourself and secure objects on the platform during operation of machine.



Joystick Operation

- Function speed is proportional and is controlled by the movement of the Joystick.
- The further it is moved forward, the faster the speed will be.
- The Joystick returns to the neutral (center) position when released.

Do not elevate platform unless guardrails are installed and secure – see Fold Down Platform Railings on page 22.



If the deck is extended, check for clearance beneath the deck before lowering.

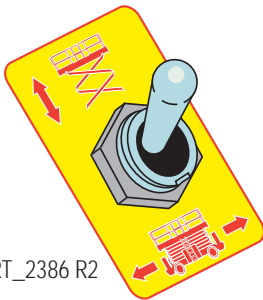
If the platform fails to lower DO NOT attempt to climb down the scissor assembly. Serious injury may result – see Emergency Systems on page 20.

Elevate Platform

- Place the Mode Select Switch in the LIFT position.
- Squeeze the Enable Bar and move the Joystick toward you.

Test Operation

- Rate of lift is proportional and is dependent on the movement of the Joystick.
- Elevate to maximum height.



Note Platform will not elevate beyond 30 ft. (9.15 m) without the outriggers deployed

- Releasing the Enable Bar or the Joystick will stop elevation.
- Pressing the Emergency Stop Switch will stop elevation.

Lower Platform

- Place the Mode Select Switch in the LIFT position.
- Squeeze the Enable Bar and move the Joystick toward you.

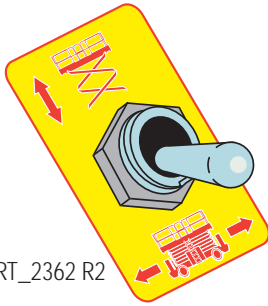
Test Operation

- Rate of descent is fixed - platform lowers at same rate regardless of handle position.
- Pressing the Emergency Stop Switch will stop descent.



Check that the route is clear of persons, obstructions, debris, holes and drop -offs, and is capable if supporting the machine.

IMPORTANT Always check front steer wheel direction before driving.



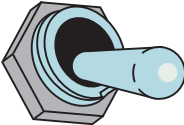
ART_2362 R2

Steering

- Always check front steer wheel direction before driving.
- With the Mode Select Switch in the DRIVE position, squeeze the Enable Bar and press the Steering Switch with your thumb to steer left or right.

Test Operation

- Releasing the Steering Switch will stop steering function.
- The steer wheels will not center themselves after a turn. The steer wheels must be returned to the straight-ahead position with the Steering Switch.



ART_3187 R1

Drive Speed

Drive speed is selectable until the platform is elevated above 10 Feet (3 m). When the platform is elevated the machine defaults to HIGH TORQUE and the switch is locked-out (non functioning).

- HIGH SPEED: allows speeds up to 4.4 m.p.h. (7.0 km/h).
- HIGH TORQUE: use to drive up or down a slope that is too steep for normal speed.

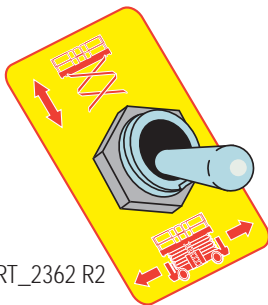


Drive Forward

- Place the Mode Select Switch in the DRIVE position.
- Squeeze the Enable Bar and move the Joystick away from you.

Test Operation

- Drive speed is proportional and is dependent on the movement of the Joystick.
- Releasing the Enable Bar or returning the Joystick to the center position will stop drive.
- Pressing the Emergency Stop Switch will stop drive.



ART_2362 R2

Drive Reverse

- Place the Mode Select Switch in the DRIVE position.
- Squeeze the Enable Bar and move the Joystick toward you.

Test Operation

- Drive speed is proportional and is dependent on the movement of the Joystick.
- Releasing the Enable Bar or returning the Joystick to the center position will stop drive.
- Pressing the Emergency Stop Switch will stop drive.

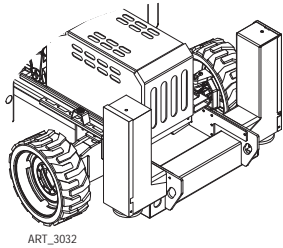
Brake

- For parking, the brake is automatically applied when the Joystick is positioned in the neutral (center) position.

Outrigger Operation

Only lower the outriggers when the machine is on a firm surface. The surface must be capable of supporting the maximum ground pressure per wheel/outrigger (see specifications).

The outrigger control switches is located on the front face of the Upper Control Box.

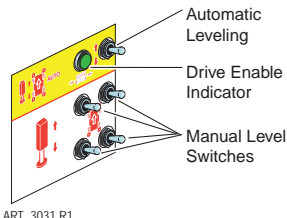


ART_3032

Extend

Push down and hold the Automatic Leveling Switch to the EXTEND position.

- The outriggers will extend and level the machine. When the machine is level and ready to operate, the outriggers will stop automatically.
- The Drive Enable Indicator will turn OFF, indicating that outriggers are down and machine drive function is disabled.



ART_3031 R1

Retract

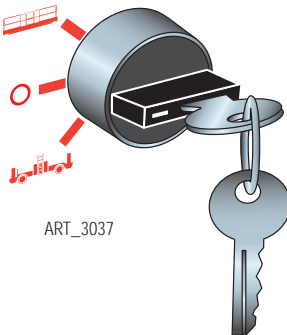
Push up and hold the Outrigger Control Switch to the RETRACT position. The outriggers will retract.

- The Drive Enable Indicator will turn ON, indicating that the outriggers are up and machine drive function is enabled.

Manual Operation Of Outriggers

- Manual operation of individual outriggers is possible using the Manual Level Switches.

Shutdown Procedure

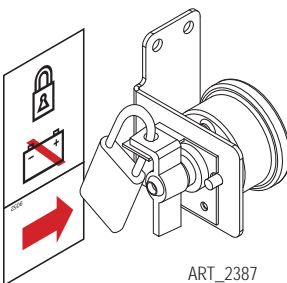


ART_3037

- When finished with the machine, place the platform in the stowed position.
- Park the machine on a level surface.
- Turn the Selector Key Switch to the OFF position and remove the key to prevent unauthorized use.
- Carefully exit the platform using a constant three (3) point dismount/grip.

- Turn the Battery Disconnect Switch to the OFF position.

Note Leaving the Battery Disconnect Switch in the ON position for an extended time will drain the battery.



ART_2387

- Always put the switch in OFF position when leaving the machine at the end of the work day.
- Put a padlock on the Battery Disconnect Switch to prevent unauthorized operation.

Emergency Systems

If the control system fails while the platform is elevated, have an experienced operator use the emergency lowering procedure to safely lower the platform.

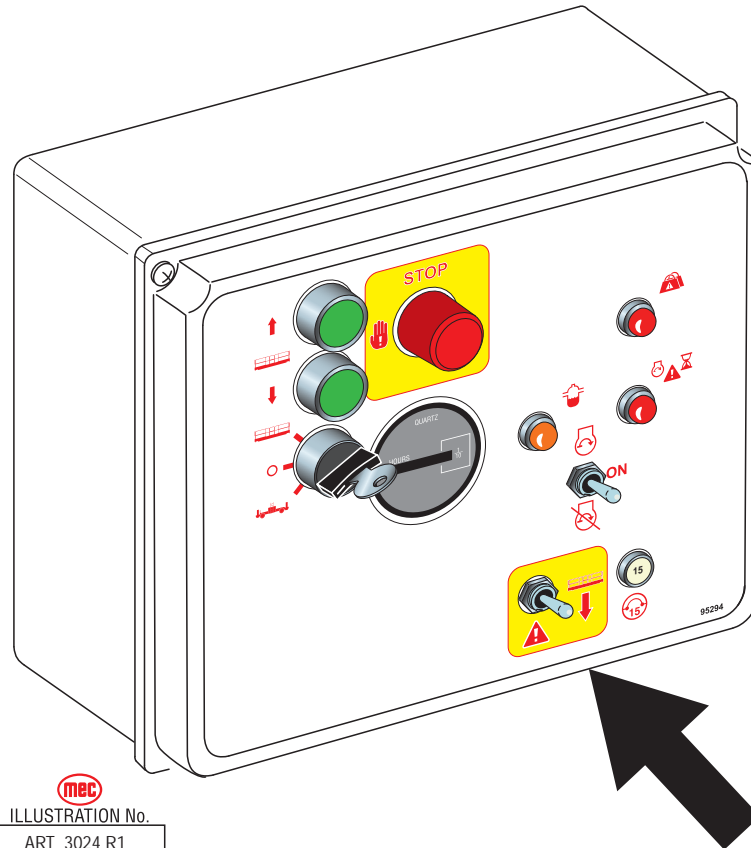


Do not attempt to climb down beam (scissors) assembly.

Emergency Lowering

The Emergency Lowering System is used to lower the platform in case of power or valve failure. To lower the platform, activate the Emergency Lowering Switch to run the Emergency Down auxiliary hydraulic pump.

The Emergency Lowering Switch is located on the base controls.



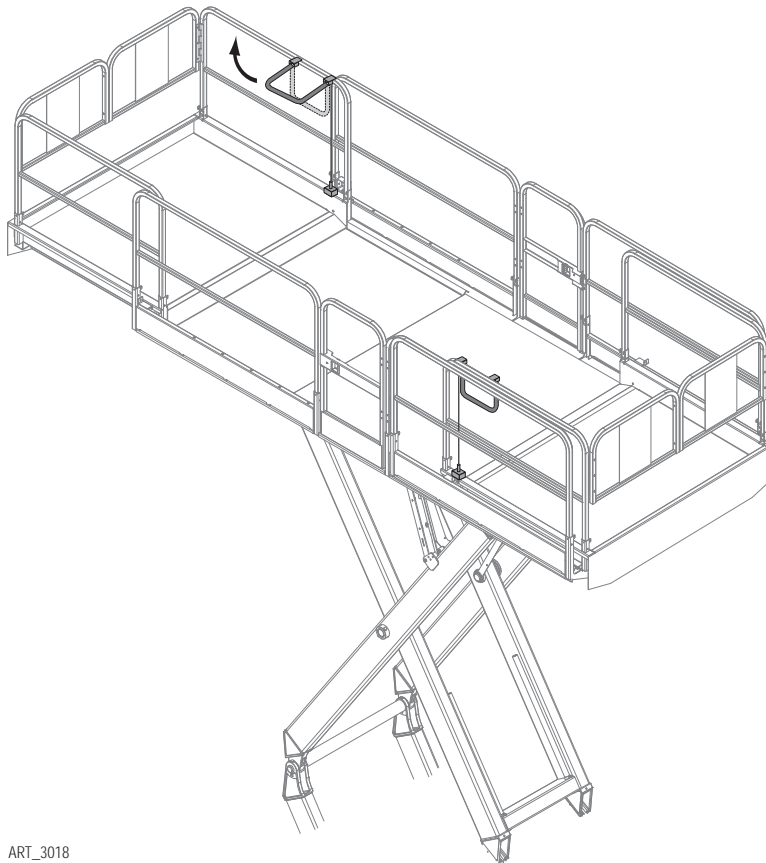
Deck Extension

The deck will extend in intervals of 12 inches (30 cm) throughout the entire length of the deck extension. The extension handle hangs from the top rail at the right side of each deck extension. The handle is used to push or pull the deck extension to the desired position.

To extend or retract the deck:

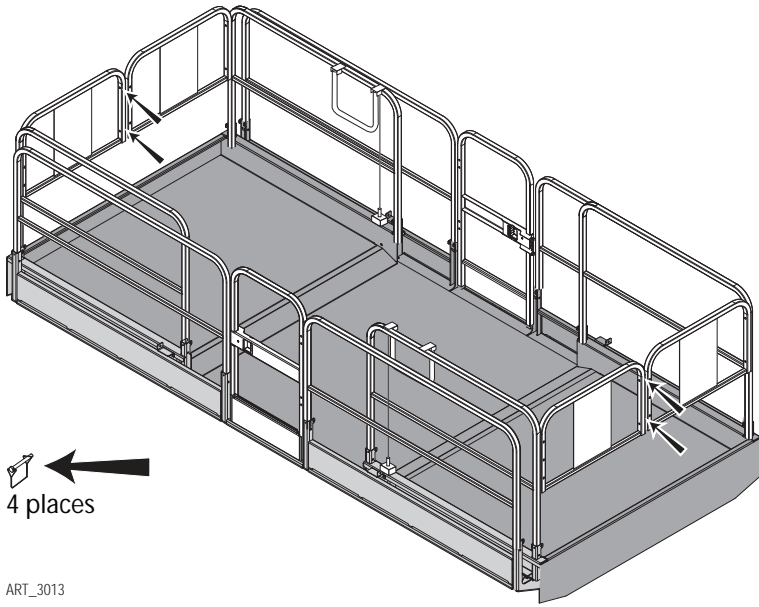
- Lift the handle to raise the spring loaded pin from the locked position.
- Push to extend or pull to retract the deck extension.
- Lower the handle enough for the spring-loaded pin to engage and continue to push or pull the deck extension until the pin locks into position.

Do not stand on the deck extension while extending or retracting it.



ART_3018

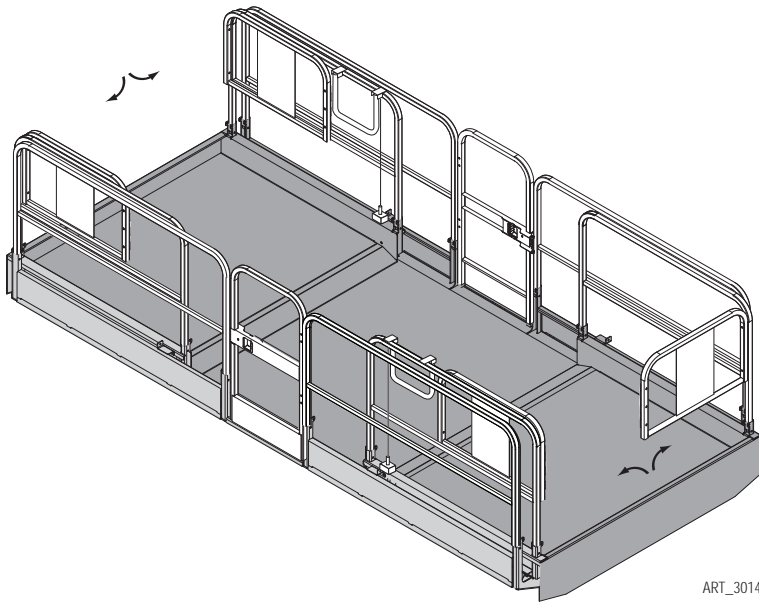
Fold Down Platform Railings



1

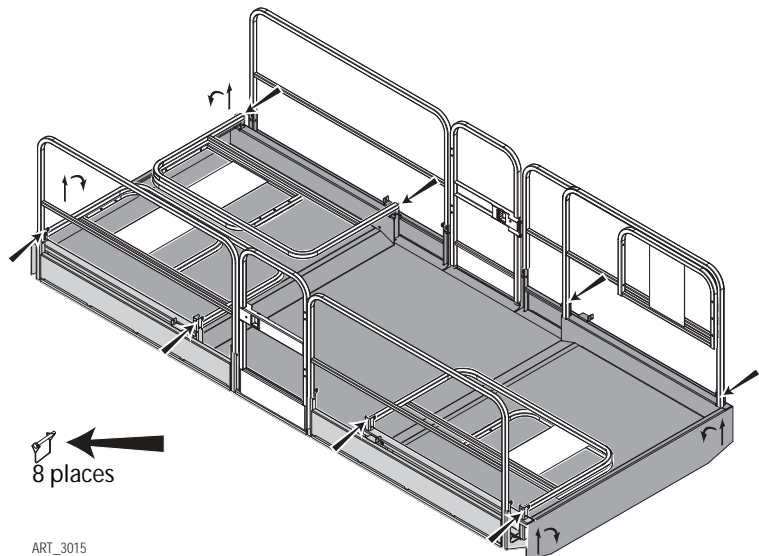
Remove the safety snap pins that secure the front and rear deck extension rail panels together.

Lift the bracket connecting the tops of the deck extension rail panels.



2

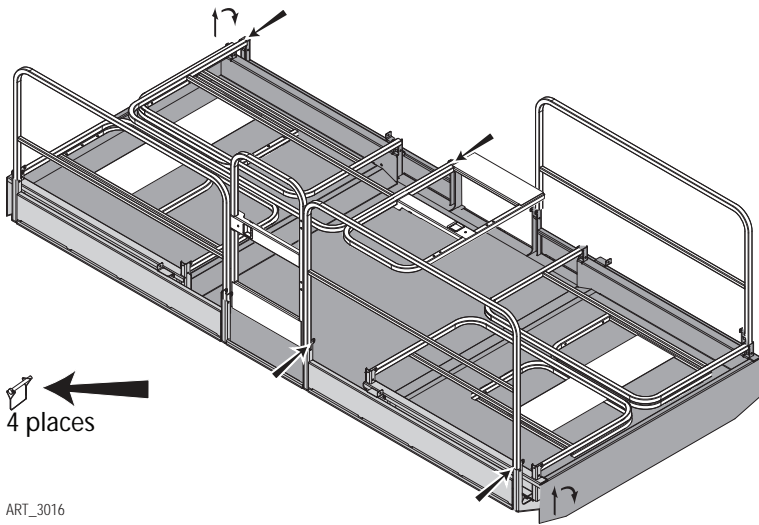
Swing the deck extension rail panels inward next to the deck extension side rails and secure with a safety snap pin.



3

Remove the safety snap pins from the deck extension side rail bases.

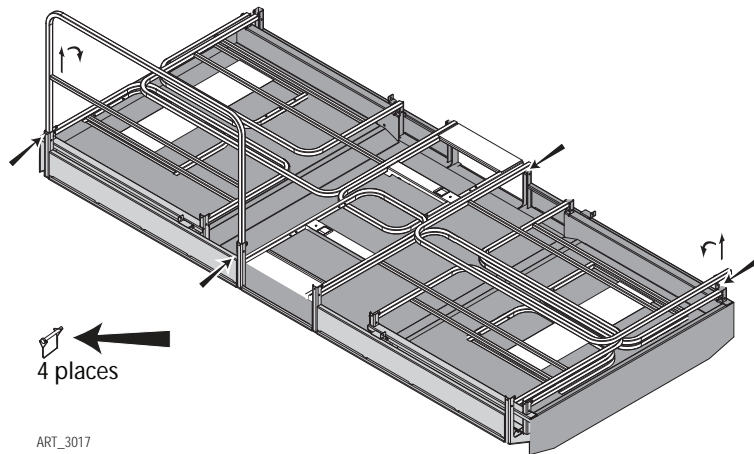
Lift the deck extension side rails, pivot, and place on the platform floor.



4

Remove the safety snap pins from main deck rail panels that attach to the entry gates.

Lift the rails, pivot and place on top of the deck extension rails.



5

Remove the safety snap pins from remain deck rail panels.

Lift the rails, pivot and place on top of the deck extension rails.

To return the machine to normal operation mode, lift all rails into their upright position, install all safety snap pins, and position the platform control box on the extension rail.

Machine Inspections and Maintenance

DO NOT operate this machine until you have read and understood the Safety section of this manual, have performed the Jobsite Inspection, Pre-Start Inspection and Routine Maintenance, and have completed all the test operations detailed in the Operating Instructions section.

The operator must conduct a thorough Pre-Start Inspection of the machine and test all functions before each work shift to check for damage, malfunction and unauthorized modification.

Tag and remove a damaged, malfunctioning or modified machine from service. **DO NOT** use a damaged, malfunctioning or modified machine.

Use the Pre-Start Inspection to determine what Routine Maintenance is required. The operator may perform only the routine maintenance items specified in this manual.

IMPORTANT Scheduled maintenance inspection checklists are included in this manual for use only by qualified service technicians. Only qualified service technicians may perform repairs to the machine. After repairs are completed, the operator must perform a Pre-Start Inspection before proceeding to the Functions Test.

Always use the maintenance lock to block the scissor assembly in place before servicing the machine with the platform elevated.



Hydraulic fluid under pressure can penetrate and burn skin, damage eyes, and may cause serious injury, blindness, and death. Repair leaks immediately. Fluid leaks under pressure may not always be visible. Check for pin hole leaks with a piece of cardboard, not your hand.



Perform scheduled maintenance at recommended intervals. Failure to perform scheduled maintenance at recommended intervals may result in a defective or malfunctioning machine and may result in injury or death of the operator. Keep maintenance records current and accurate.

Immediately report any damage, defect, unauthorized modification or malfunction to your supervisor. Any defect must be repaired prior to continued use. **DO NOT** use a damaged, modified or malfunctioning machine.



Never leave hydraulic components or hoses open. Plug all hoses and fitting immediately after disassembly to protect the system from outside contamination (including rain).

Never open a hydraulic system when there are contaminants in the air.

Always clean the surrounding area before opening hydraulic systems.

Use only recommended lubricants. Improper lubricants or incompatible lubricants may cause as much damage as no lubrication.

Watch for makeshift “fixes” which can jeopardize safety as well as lead to more costly repair.



Inspection and maintenance should be performed by qualified personnel familiar with the equipment.

Pre-Start Inspection Checklist

The operator must conduct a thorough Pre-Start Inspection of the machine before each work shift.

General Inspection Checklist

Initial	Description
_____	Check that the operator's, safety, and responsibilities manuals are in the storage container located on the platform.
_____	Perform a visual inspection of all machine components. Look for missing parts, torn or loose hoses, hydraulic fluid leaks, torn or disconnected wires, damaged tires etc.
_____	Check all structural components of the machine for cracked welds, corrosion and collision damage.
_____	Check all hoses and the cables for worn or chafed areas.
_____	Check the platform rails and sliding mid-rail entry for damage or modification.
_____	Check that all warning and instructional decals are legible and secure.
_____	Check the tires for damage.
_____	Check the tire pressure (not required for foam filled tires).
_____	Check the lower limit switch for visual damage or loose or missing hardware.
_____	All structural components, pins and fasteners are present and properly tightened.

Fluid Level Checklist

Initial	Description
_____	Check for fluid leaks.
_____	Hydraulic fluid level (check with platform fully lowered).

Secure for operation

Initial	Description
_____	Secure all covers and panels.

Monthly Inspection Checklist



This checklist must be used at monthly intervals or every 100 hours of machine use, whichever occurs first. Failure to do so could result in death or serious injury.

Scheduled Maintenance Inspections should be conducted by qualified service technicians only. Photocopy this page for reuse. Keep inspections records up to date. Record and report all discrepancies to your supervisor.

Model Number _____ **Serial Number** _____ **Hour Meter Reading** _____

Initial	Description
_____	Perform all checks listed on Prestart Inspection.
_____	Inspect the condition of hydraulic fluid in the reservoir. Oil should have a clear amber color.
_____	Check battery electrolyte level and connections.
_____	Check wheel lug nuts for proper torque (see "Machine Specifications").
_____	Check if tires are leaning in or out.
_____	Inspect all beams and pivot points for signs of wear and/or damage.
_____	Check the pin joints and retaining rings for security.
_____	Inspect the entire machine for signs of damage, broken welds, loose bolts, improper or makeshift repairs.
_____	Check that the platform does not drift down with a full load.
_____	Lubricate the axle float cylinder pivot mounts (see Lubrication Chart).
_____	Check all wire connections.
_____	Check that all adjustable flow valves are locked, check setting if any are not locked.
_____	Check outriggers for proper operation (if equipped).

DATE _____ **INSPECTED BY** _____



Quarterly Inspection Checklist



This checklist must be used at quarterly intervals or every 300 hours of machine use, whichever occurs first. Failure to do so could result in death or serious injury.

Scheduled Maintenance Inspections should be conducted by qualified service technicians only. Photocopy this page for reuse. Keep inspections records up to date. Record and report all discrepancies to your supervisor.

Model Number _____ **Serial Number** _____ **Hour Meter Reading** _____

Initial	Description
_____	Perform all checks listed on Prestart/Monthly Inspection.
_____	Check the operation speeds to ensure they are within specified limits (see Specifications).
_____	Check the emergency lowering system.
_____	Clean and lubricate all push button switches with dry lubricant and ensure that the switches operate freely in all positions.
_____	Check the tightness of the platform frame and the linkage pins.
_____	Check the overall platform and guardrail component stability.
_____	Check the electrical mounting and hardware connections for security.
_____	Check the king pins for excessive play.

Additional maintenance requirements for severe conditions

Initial	Description
_____	Replace hydraulic filter element (under normal conditions replace every six [6] months).

DATE _____ **INSPECTED BY** _____



Annual Inspection Report



Aerial Platform Sales Corp

1401 South Madera Avenue, Kerman, California 93630, USA

Tel: 559.842.1500 Toll Free: 1.877.632.5438 Fax: 559.842.1520

Email: info@MECawp.com

Web: www.MECawp.com

"Y"	Yes/Acceptable
"N"	No/Unacceptable
"R"	Repaired
"U"	Unnecessary/Not Applicable

Date		Customer		Dealer	
Serial Number		Street		Street	
Model Number		City/State/Zip		City/State/Zip	
Date of Last Inspection		Phone Number		Phone Number	
Date Placed in Service		Contact		Contact	

- Check each item listed below.
- Use proper Operator's and, Service & Parts manual for specific information and settings.
- If an item is found to be "Unacceptable" make the necessary repairs and check the "Repaired" box.
- When all items are "Acceptable", the unit is ready for service.

	Y	N	R	U		Y	N	R	U		Y	N	R	U
Decals:					Base:					Operation:				
Proper Placement/Quantity					Cover Panels Secure					Wires Tight				
Legibility					Base Fasteners Tight					Switches Secure				
Correct Capacity Noted					Bolts Tight					All Functions Operational				
Rails:					Front Axle Mounting (4WD)					Emergency Down:				
All Rail Fasteners Secure					Rear Axle Mounting (4WD)					Operational				
Entry Gate/Chain Closes Properly					Front Axle/Front Wheel Assemblies:					Slow Speed Limit Switch:				
Manual/Safety Data In Box					Wheel Motors-Mounting Secure					Set Properly				
Rear Rail Pad In Place					Wheel Motors-Leaks					Pothole Bars:				
Extending Platform:					Lug Nuts Torqued Properly					Operate Smoothly				
Slides Freely					Steering Cylinder Pins Secure					Lock In Place				
Latches In Stowed Position					Pivot Points Lubed					Limit Switches Adjusted				
Latches In Extended Position					Drive Assembly Front Hubs:					Pressures & Hydraulics:				
Rail Latches Work Properly					Castle Nut Torqued Properly					Oil Filter Secure/Chg				
Cable Secure					Cotter Pinned					Oil Level Correct/Chg				
Platform:					Rear Axle/Rear Wheel Assemblies:					Steering Pressure Set				
Platform Bolts Tight					Brakes Operational					Drive Pressure Set				
Platform Structure					Wheel Motors-Mounting Secure					Lift Pressure Set				
Platform Overload System:					Wheel Motors-Leaks					Engine:				
Functional					Lug Nuts Torqued Properly					Engine Mounts Tight				
Calibrated					Axle Pivot Lubed (4WD)					Fuel Lines Secure				
Wire Harnesses:					Axle Lock Operational					Fuel Lines Free Of Leaks				
Mounted Correctly					Component Area:					Fuel Tanks Secure				
Physical Appearance					Valve Manifold(s) Secure					Fuel Shut Off Valves Func.				
110/220V Outlet Safe/Working					Hoses Tight/No Leaks					All Shields/Guards In Place				
Elevating Assembly:					D/C Mtr(s) Secure/Operational					Oil Level				
Beam Structures					Contactors Secure					Oil Filter				
Welds					Pump Secure					Air Filter				
Retaining Rings					Batteries:					Options Operational:				
Upper Cylinder Pins Secure					Secure					Hour Meter				
Lower Cylinder Pins Secure					Fully Charged					Battery Indicator				
Lower Beam Mounts Tight					Battery Charger:					Warning Light				
Rollers Turn Freely					Secure					Warning Horn				
Maintenance Locks:					Operational					Generator				
Secure					Emergency Stop:					Converter				
Operational					Breaks All Circuits									

Signature/Owner-User: _____ Date: _____
 Signature/Mechanic: _____ Date: _____



Maintenance

DO NOT operate this machine until you have read and understood the Safety section of this manual, have performed the Jobsite Inspection, Pre-Start Inspection and Routine Maintenance, and have completed all the test operations detailed in the Operating Instructions section.

Tag and remove a damaged, malfunctioning or modified machine from service. **DO NOT** use a damaged, malfunctioning or modified machine.

Use the Pre-Start Inspection to determine what Routine Maintenance is required. The operator may perform only the routine maintenance items specified in this manual.

IMPORTANT Scheduled maintenance inspection checklists are included in this manual for use only by qualified service technicians. Only qualified service technicians may perform repairs to the machine. After repairs are completed, the operator must perform a Pre-Start Inspection before proceeding to the Functions Test.

Always use the maintenance lock to block the scissor assembly in place before servicing the machine with the platform elevated.



Hydraulic fluid under pressure can penetrate and burn skin, damage eyes, and may cause serious injury, blindness, and death. Repair leaks immediately. Fluid leaks under pressure may not always be visible. Check for pin hole leaks with a piece of cardboard, not your hand.



Perform scheduled maintenance at recommended intervals. Failure to perform scheduled maintenance at recommended intervals may result in a defective or malfunctioning machine and may result in injury or death of the operator. Keep maintenance records current and accurate.

Immediately report any damage, defect, unauthorized modification or malfunction to your supervisor. Any defect must be repaired prior to continued use. DO NOT use a damaged, modified or malfunctioning machine.

Never leave hydraulic components or hoses open. Plug all hoses and fitting immediately after disassembly to protect the system from outside contamination (including rain).

Never open a hydraulic system when there are contaminants in the air.



Always clean the surrounding area before opening hydraulic systems.

Use only recommended lubricants. Improper lubricants or incompatible lubricants may cause as much damage as no lubrication.

Watch for makeshift “fixes” which can jeopardize safety as well as lead to more costly repair.



Inspection and maintenance should be performed by qualified personnel familiar with the equipment.

Routine Maintenance

IMPORTANT The operator may perform routine maintenance only. Scheduled maintenance must be performed by qualified service technicians.

Pre-Start Inspection

- Perform routine maintenance as identified in the Pre-Start Inspection Checklist on page 26.

Scheduled Maintenance

Maintenance performed monthly, quarterly, annually and bi-annually must be performed by a qualified service technicians trained and authorized to perform maintenance on this machine, and must be done in accordance with the procedures outlined in the service manual. Scheduled maintenance inspection checklists are included in this manual for use by qualified service technicians.

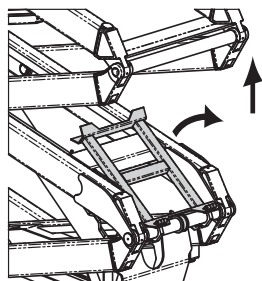
Machines that have been out of service for more than three months must receive the quarterly inspection before returning to service.

Maintenance Lock



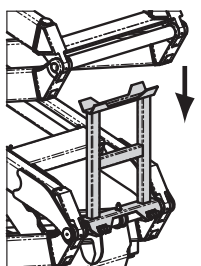
Never perform service on the machine with the platform elevated without first blocking the scissor assembly using the maintenance lock.

Set Maintenance Lock

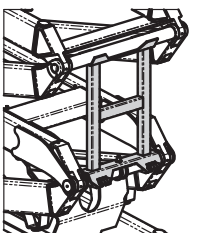


1

1. Elevate platform approximately 16 feet (5 m) and rotate maintenance lock to Blocked position
2. Lower platform until scissor assembly comes to rest on the maintenance lock.
3. Scissor assembly is blocked.



2

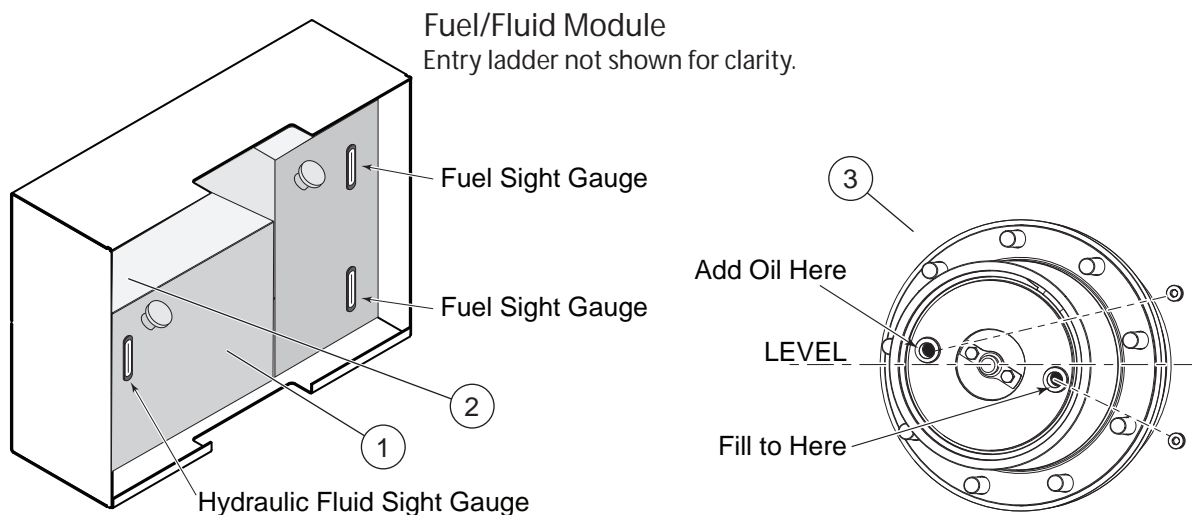


3

ART_3034

Lubrication

Operator may perform routine maintenance only. Lubrication listed as Scheduled Maintenance must be performed by a qualified service technician.



mec
ILLUSTRATION No.
ART_3027

No.	ITEM	SPECIFICATION	FREQUENCY
1	Hydraulic Reservoir	Mobile Fluid 424 Do not substitute with lower grade fluids as pump damage may result. Fill to the middle of the sight gauge with platform in the stowed position.	Routine Maintenance Check Daily Scheduled Maintenance Change yearly or every 1000 hours, whichever occurs first
2	Hydraulic Filter	Filter Element (Located inside Hydraulic Reservoir)	Scheduled Maintenance Normal Conditions Change every six months or 500 hours, whichever occurs first Severe Conditions Change every three months or 300 hours, whichever occurs first
3	Hubs	SAE 90 Multipurpose Hypoid Gear Oil API Service Classification GL5	Scheduled Maintenance Check every three months or 250 hours, whichever occurs first Change yearly or every 1000 hours, whichever occurs first

Component Locations

Full Machine

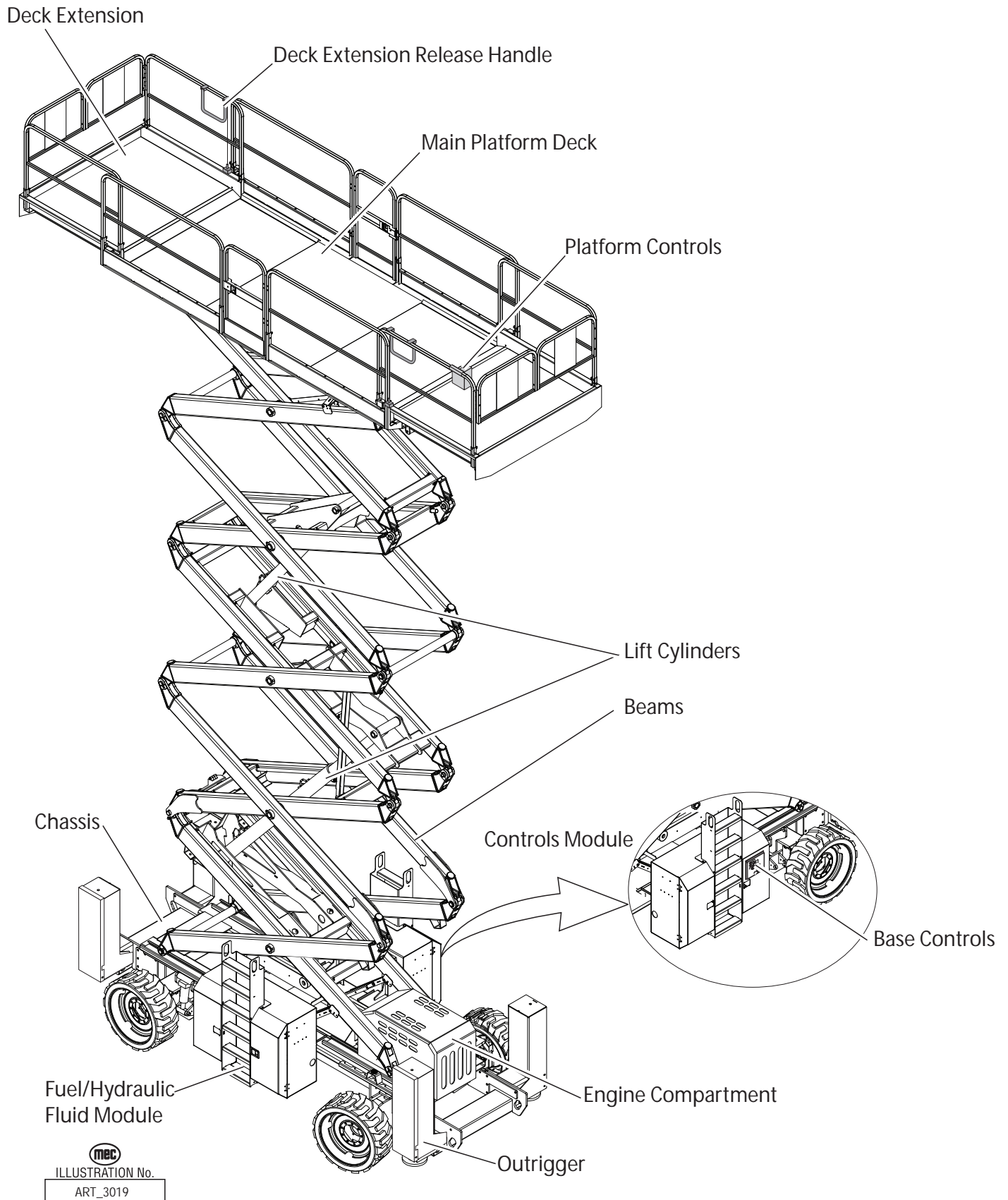
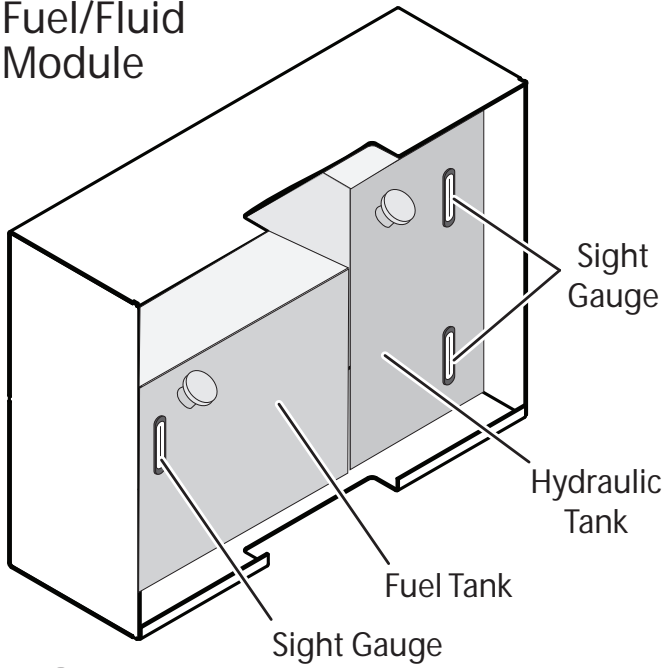
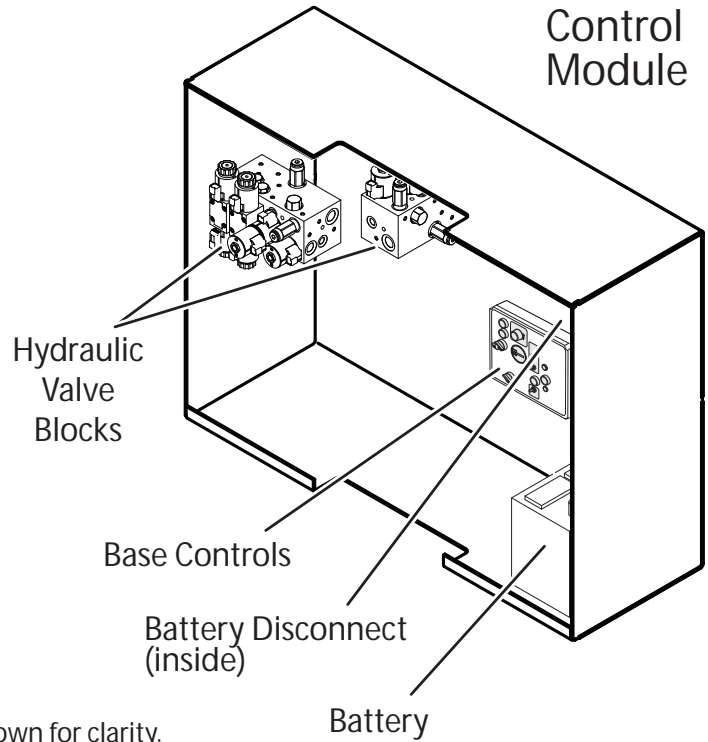


ILLUSTRATION No.
ART_3019

Fuel/Fluid Module



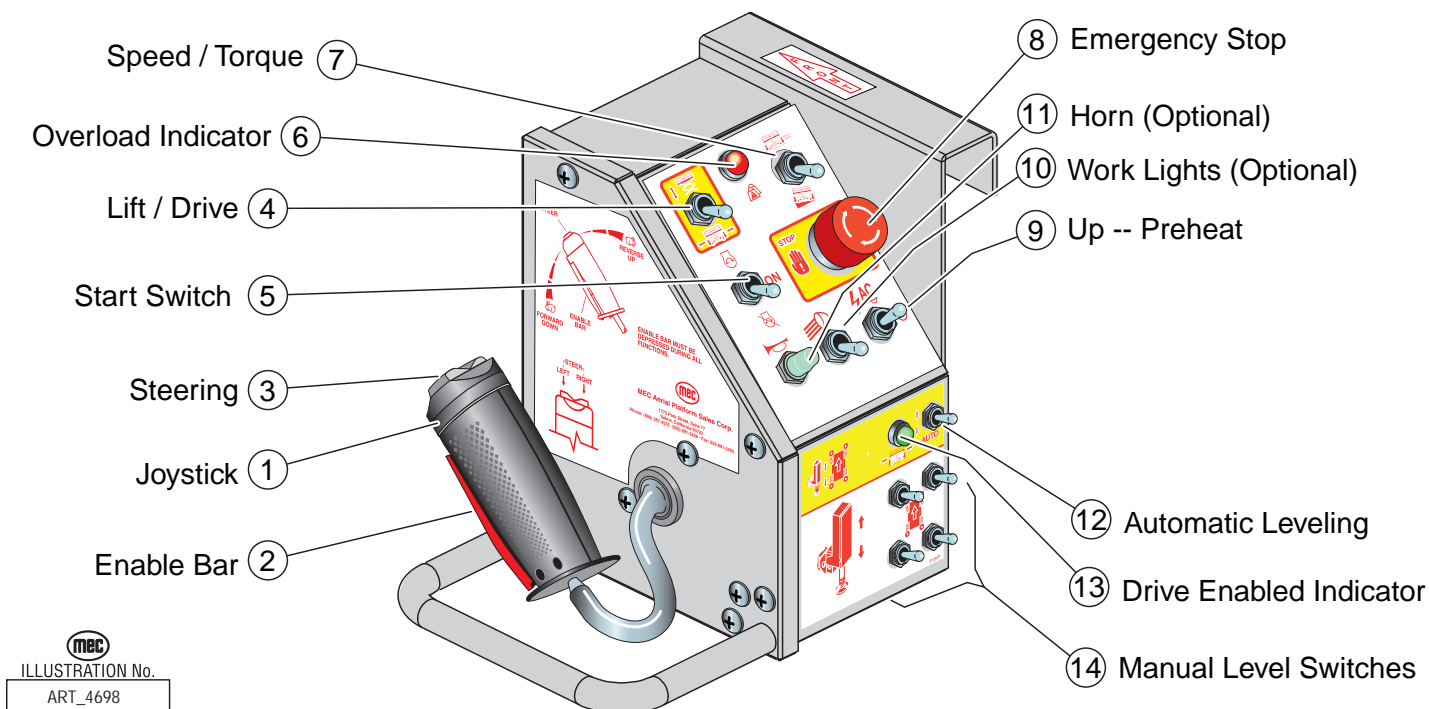
Control Module



Entry ladders not shown for clarity.


ILLUSTRATION No.
ART_3026

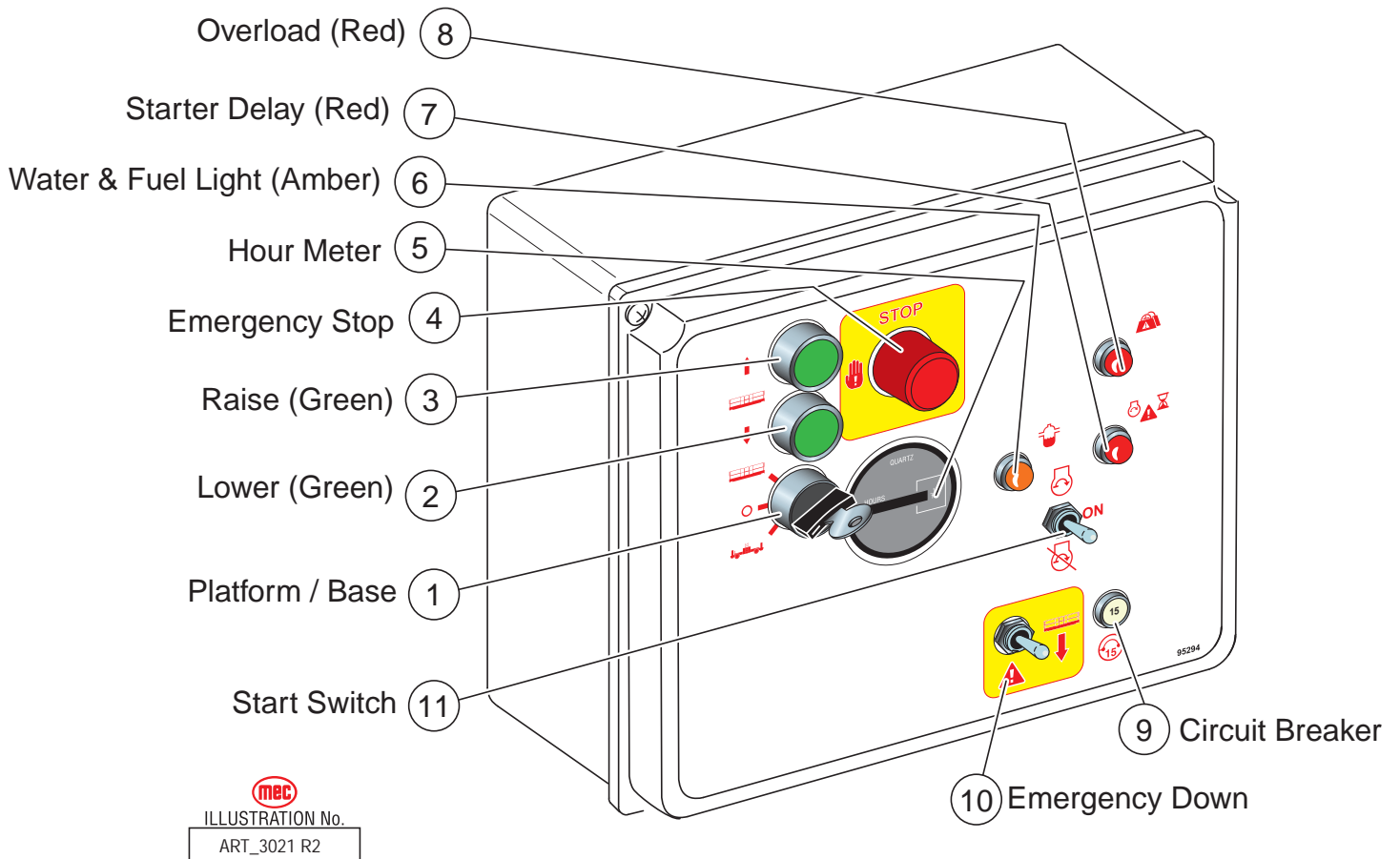
Upper Controls



mec
ILLUSTRATION No.
ART_4698

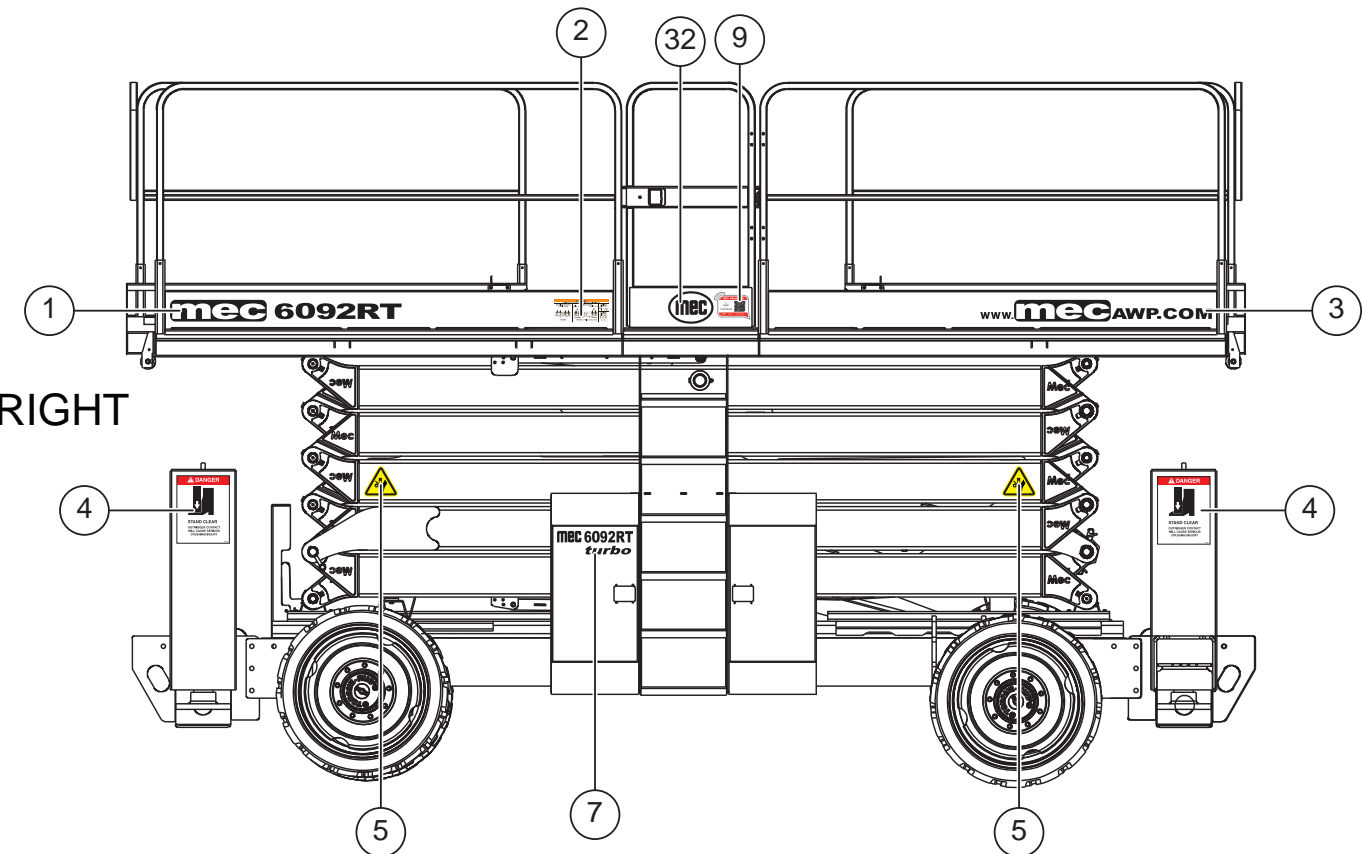
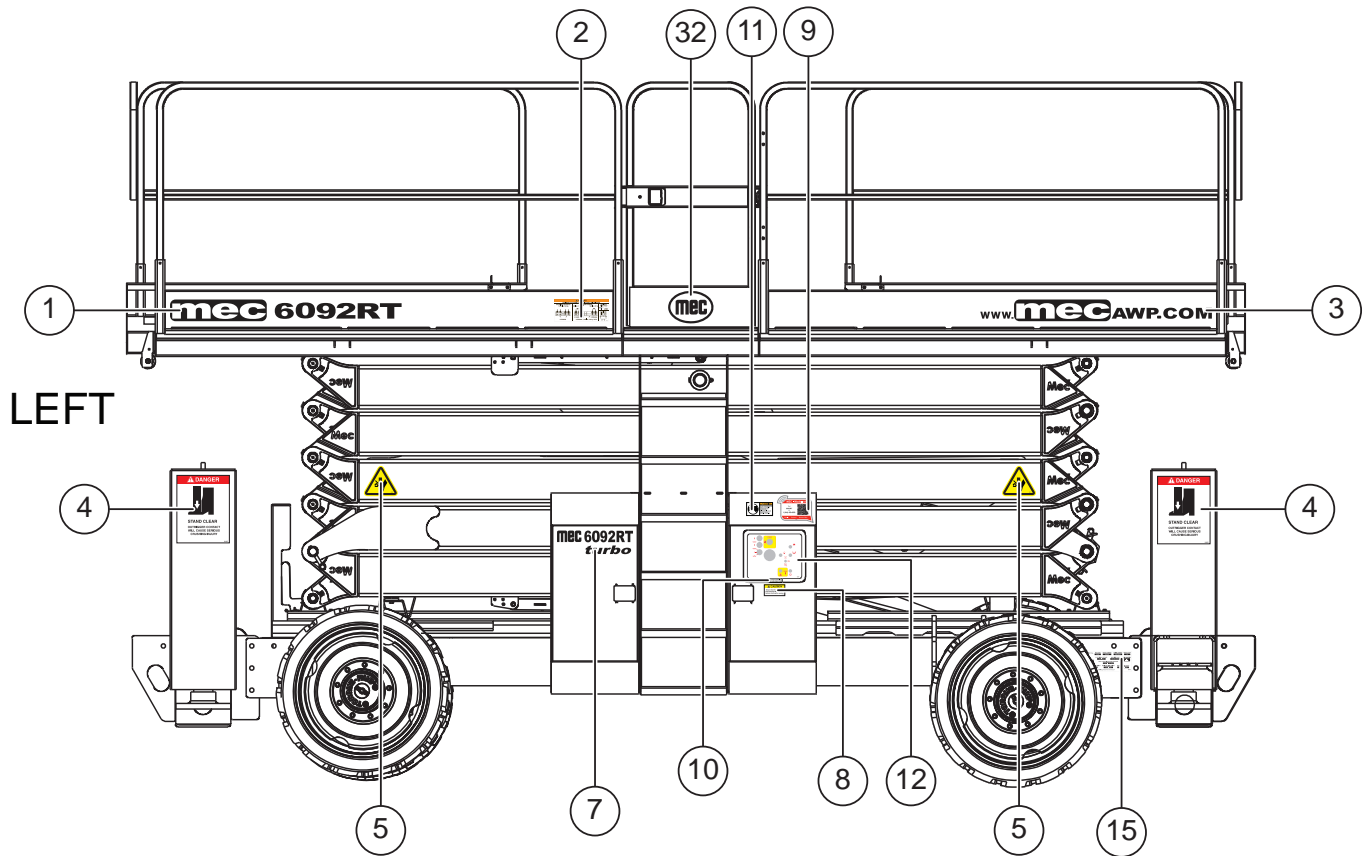
CONTROL		DESCRIPTION	
1	Joystick	DRIVE	Controls Forward and Reverse travel at stepped speeds.
		LIFT	Move toward operator to elevate platform. Lift speed increases proportional to the Joystick movement Move away from operator to lower platform. Speed is fixed.
2	Enable Bar	Squeeze to enable DRIVE, STEER, and LIFT from Joystick.	
3	Steering Switch	Using thumb, press and hold the rocker switch to steer Left or Right.	
4	Mode Selector	Select LIFT or DRIVE function for Joystick.	
5	Start / Run Switch	Turn power ON or OFF at the platform. Does not affect lower controls.	
6	Overload Indicator	Platform overloaded when light is ON. An audible alarm will sound and all machine functions will stop. Remove weight from the platform to restore function and continue.	
7	Speed / Torque Switch	HIGH TORQUE	Slow speed. Provides maximum torque for rough terrain.
		HIGH SPEED	Provides high speed when platform height is below 10 feet (3 m).
8	Emergency Stop Switch	PUSH to stop all machine functions. TURN CLOCKWISE to reset.	
9	Up -- Generator	Push the switch UP to engage optional AC generator. Drive and Lift functions are disabled while the generator is on.	
10	Work Lights (Option)	Move switch Up to turn on work lights.	
11	Horn	Press to sound warning horn.	
12	Automatic Level Switch	Move switch Up and hold until automatic leveling is complete.	
13	Drive Enable Indicator	Drive function is enabled when the light is ON.	
14	Manual Level Switches	Push these switches UP or DOWN to adjust individual outriggers.	

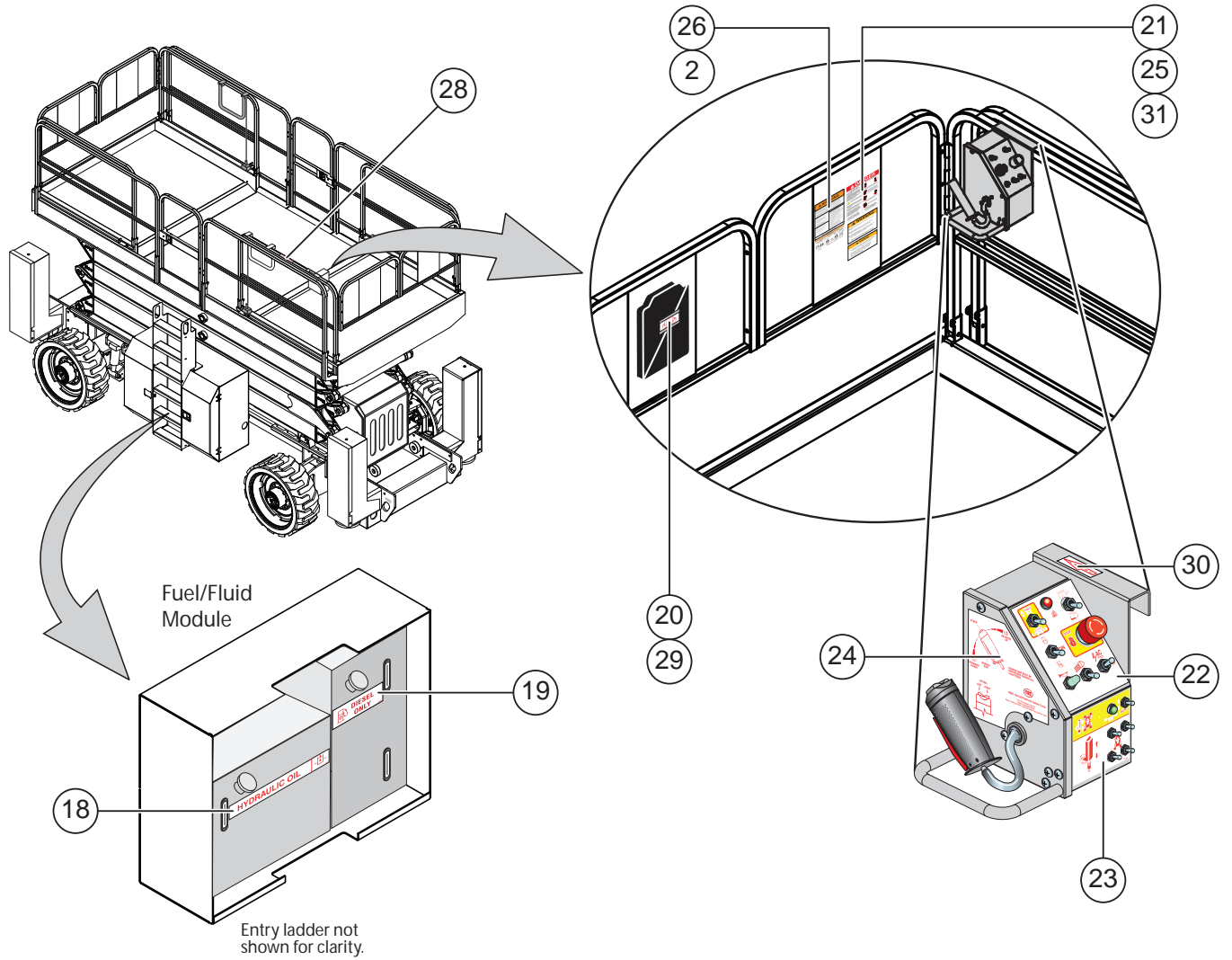
Lower Controls



CONTROL		DESCRIPTION	
1	Selector Switch	PLATFORM	Select to operate from the platform control panel.
		BASE	Select to operate from the base control panel.
		OFF	Select to stop operation from either control panel.
2	LOWER Button	Press and hold to lower the platform. Release to stop lowering.	
3	RAISE Button	Press and hold to elevate the platform. Release to stop elevation.	
4	Emergency Stop Switch	Press to stop all machine functions. Turn clockwise to reset.	
5	Hour Meter	Indicates total elapsed time of machine operation.	
6	Water & Fuel Light	Indicates if water has contaminated fuel.	
7	Start Delay Indicator Light	After 20 seconds of continuous cranking, the engine starter circuit cuts off momentarily to prevent damage to the starter. This light illuminates when the starter circuit is cut off. Resets after 25 seconds.	
8	Overload	Platform overloaded when light is ON. An audible alarm will sound and all machine functions will stop. Remove weight from the platform to restore function and continue.	
9	Circuit Breaker	Trips when there is excessive electrical load. Push to reset.	
10	Emergency Down Switch	Activate this switch to run the Emergency Down auxiliary hydraulic pump.	
11	Start / Run Switch	Turn power ON or OFF at the platform. Does not affect upper controls.	

Warning and Instructional Decals

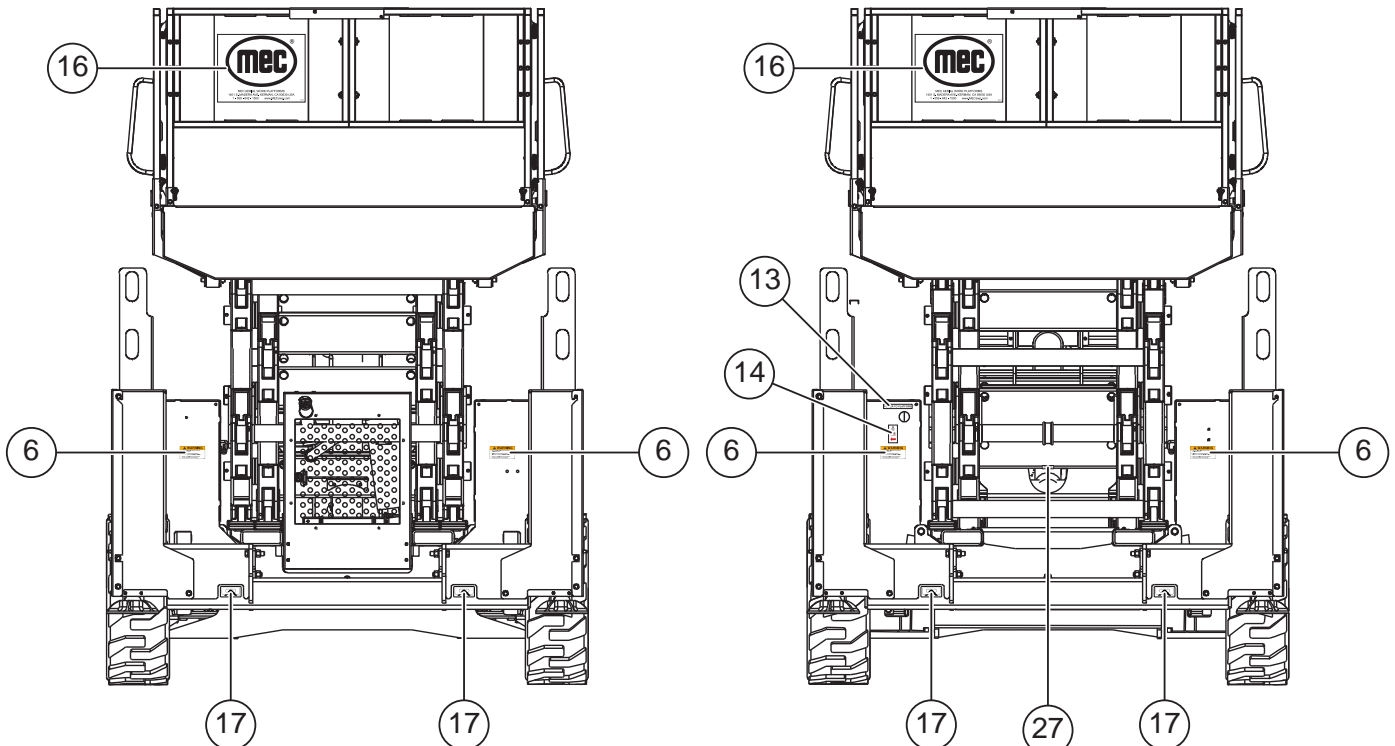



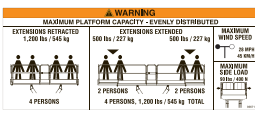





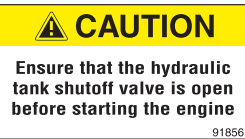
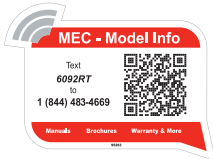
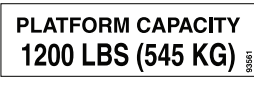

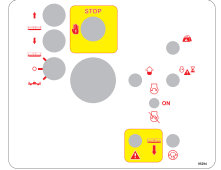

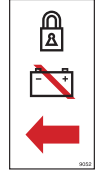
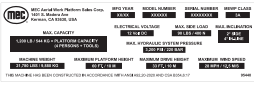






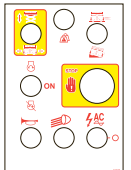
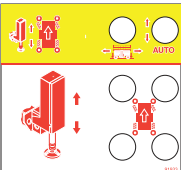
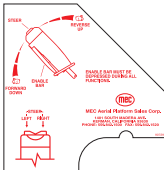
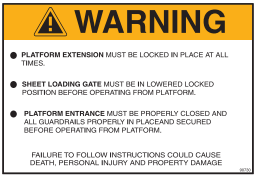





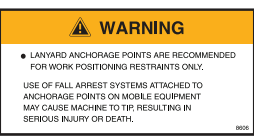



Entry ladder not shown for clarity.

FRONT

REAR



<p>1</p>  <p>93550 Qty. - 2</p>	<p>2</p>  <p>93671 Qty. - 3</p>	<p>3</p>  <p>92416 Qty. - 2</p>	<p>4</p>  <p>9465 Qty. - 4</p>	<p>5</p>  <p>9910 Qty. - 4</p>
<p>6</p>  <p>90725 Qty. - 4</p>	<p>7</p>  <p>93549 Qty. - 2</p>	<p>8</p>  <p>91856 Qty. - 1</p>	<p>9</p>  <p>95263 Qty. - 2</p>	<p>10</p>  <p>93561 Qty. - 1</p>
<p>11</p>  <p>90732 Qty. - 1</p>	<p>12</p>  <p>95294 Qty. - 1</p>	<p>13</p>  <p>90751 Qty. - 1</p>	<p>14</p>  <p>9052 Qty. - 1</p>	<p>15</p>  <p>95440 Qty. - 1</p>
<p>16</p>  <p>90719 Qty. - 2</p>	<p>17</p>  <p>91973 Qty. - 4</p>	<p>18</p>  <p>6873 Qty. - 1</p>	<p>19</p>  <p>9378 Qty. - 1</p>	<p>20</p>  <p>8911 Qty. - 1</p>
<p>21</p>  <p>90721 Qty. - 1</p>	<p>22</p>  <p>91875 Qty. - 1</p>	<p>23</p>  <p>91933 Qty. - 1</p>	<p>24</p>  <p>90729 Qty. - 1</p>	<p>25</p>  <p>90730 Qty. - 1</p>
<p>26</p>  <p>91456 Qty. - 1</p>	<p>27</p>  <p>90717 Qty. - 1</p>	<p>28</p>  <p>7155 Qty. - 1</p>	<p>29</p>  <p>90718 Qty. - 1</p>	<p>30</p>  <p>7156 Qty. - 1</p>
<p>31</p>  <p>8606 Qty. - 1</p>	<p>32</p>  <p>95301 Qty. - 2</p>			

Item	Part Number	Description	Qty.
1	93550	Decal, 6092RT Toeboard	2
2	93671	Decal, Capacity 6092RT Large	3
3	92416	Decal, Website	2
4	9465	Decal, Keep Clear Outriggers	4
5	9910	Decal, Hand Crush Hazard	4
6	90725	Decal, Warning Tire Replacement	4
7	93549	Decal, 6092RT Turbo Module	2
8	91856	Decal, Caution Hydraulic Shutoff Valve	1
9	95263	Decal, MEC Duralink - 6092RT	2
10	93561	Decal, Capacity 6092RT Small	1
11	90732	Decal, Warning No Powerwash	1
12	95294	Decal, 6092RT Lower Controls T4F	1
13	90751	Label, Power to Platform	1
14	9052	Decal, Main Lockout Switch	1
15	95440	Serial Plate, New ANSI 92 Series RT Scissor	1
16	90719	Decal, MEC Oval	2
17	91973	Decal, Tie Down	4
18	6873	Decal, Hydraulic Oil	1
19	9378	Decal, Diesel	1
20	8911	Decal, Manuals Inside Icon	1
21	90721	Decal, Danger Tip Over	1
22	91875	Decal, Upper Control Box Top	1
23	91933	Decal, Upper Control Box Lower	1
24	90729	Decal, Upper Control Joystick Operations	1
25	90730	Decal, Warning Sheet Loading	1
26	91456	Decal, Warning Decal Panel	1
27	90717	Decal, Maintenance Lock Warning	1
28	7155	Decal, Locate Control Box Here	1
29	90718	Decal, Warning Annual Inspection	1
30	7156	Decal, Front Arrow	1
31	8606	Decal, Warning Lanyard Anchorage	1
32	95301	Decal, Trademarked MEC Logo, Small (Black)	2

Troubleshooting

Should you experience erratic operation or notice any malfunction while operating this machine, discontinue use immediately.

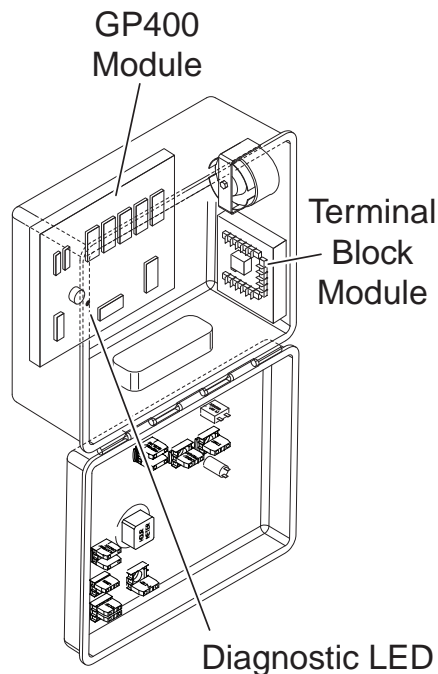


Call for assistance and report the incident to your supervisor, and do not use the machine until it has been checked by a trained, qualified mechanic.

Machine functions will not operate

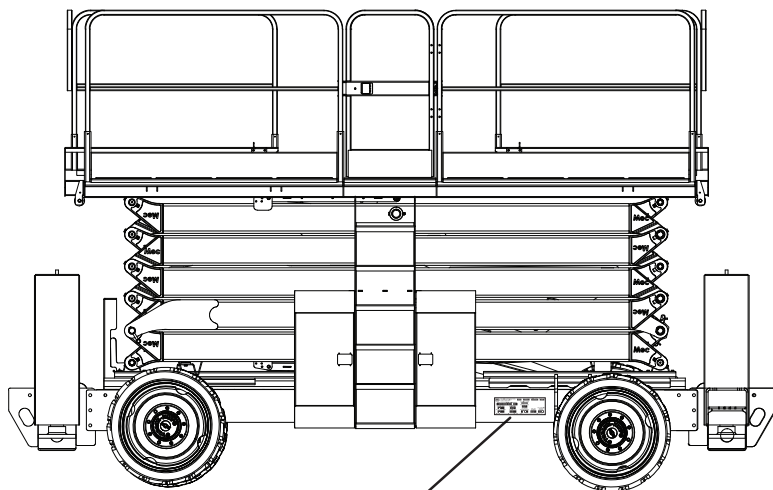
- Battery properly connected?
- Battery fully charged?
- Function toggle switch or the Enable Switch not activated?
- Selector Key Switch in proper position?
- Both Emergency Stop Switches reset?
- Hydraulic fluid level low?
- Obvious fluid leak or damaged component?
- Wires disconnected, broken, or loose?
- Motor control processor Diagnostic LED OFF?
 - LED should be ON. If not ON or FLASHING, refer to Service Manual or contact MEC Technical Support.

Lower Controls

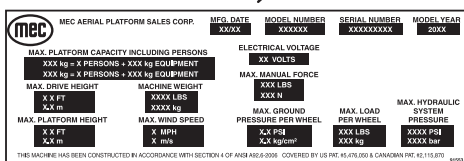


ART_3093

Serial Plate Location

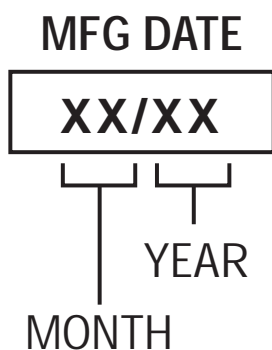


The serial plate is attached to the machine at the time of manufacture. Important information about the machine is recorded on the serial plate.

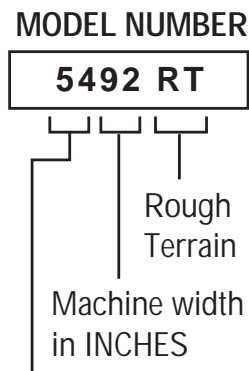


ART_3029

Serial Plate Description



ART_2377



Max. platform height
in FEET

ART_3028

- MFG DATE.** Month / Year of manufacture
- MODEL NUMBER.** Identifies the machine.
- SERIAL NUMBER.** Identifies a machine with reference to its original owner. Refer to the number when requesting information or ordering parts.
- MAX. WIND SPEED.** The maximum safe wind speed at which the machine can be elevated.
- MAX. PLATFORM CAPACITY INCLUDING PERSONS.** The maximum safe load (persons + equipment) which can be evenly distributed on the platform at any elevation.
- MAX. ALLOWABLE MANUAL FORCE.** The maximum safe force that the occupant can exert laterally on an object outside the platform.
- MAX. PLATFORM HEIGHT.** The maximum attainable height measured from level ground surface to platform floor.
- MAX. DRIVE HEIGHT.** The maximum safe platform height at which the machine can be driven.
- MAX. LOAD PER WHEEL.** The maximum safe weight applied to each wheel. Calculated with all available options installed. $F_w = 30\% (W_m + W_c + W_{opt})$
- MAX. GROUND PRESSURE PER WHEEL.** The amount of pressure exerted on the surface at each wheel. Calculated with all available options installed. $P_{max} = 30\% (W_m + W_c + W_{opt}) / \text{Contact Area}$
- STANDARD MACHINE WEIGHT.** The weight of the machine with no options.
- OPTIONAL EQUIPMENT ADDS TO STANDARD MACHINE WEIGHT.** The weight of installed optional equipment.

Transport and Lifting Instructions

Safety Information

This section is provided for reference and does not supersede any government or company policy regarding the loading, transport or lifting of MEC machinery.



Drivers are responsible for loading and securing machines, and should be properly trained and authorized to operate MEC machinery. Drivers are also responsible for selecting the correct and appropriate trailer according to government regulations and company policy. Drivers must ensure that the vehicle and chains are strong enough to hold the weight of the machine (see the serial number plate for machine weight).

Loading

Free-wheel configuration for Winching or Towing

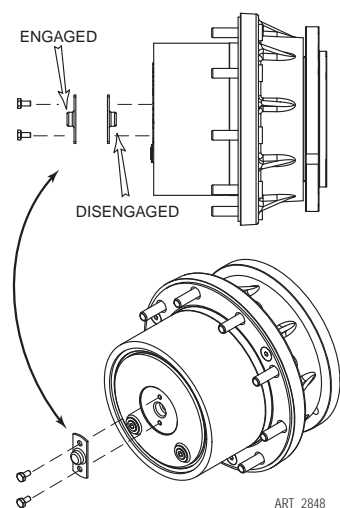


Prior to manually releasing brakes, be sure the wheels are chocked to prevent machine from moving.

RUNAWAY HAZARD!



After releasing the brakes there is nothing to stop machine travel. Machine will roll freely on slopes.



The machine can be winched or towed short distances at speeds not to exceed 5 MPH (8.05 kph). Before towing or winching the machine, it is necessary to release the brakes. Reset the brakes after towing or winching.

Disengage Brakes before Towing or Winching

- Chock the wheels.
- Remove the Torque Engage Cap and reinstall with the bump facing inward on all four (4) hubs.

Engage Brakes before Driving

- Remove the Torque Engage Cap and reinstall with the bump facing outward on all four (4) hubs.

Driving or Winching onto or off of a Transport Vehicle

MEC does not recommend unassisted loading or unloading. Always attach the machine to a winch when loading or unloading from a truck or trailer by driving.



Read and understand all safety, control, and operating information found on the machine and in this manual before operating the machine.

- Attach the machine to a winch.
- Remove all machine tie downs. Remove wheel chocks.

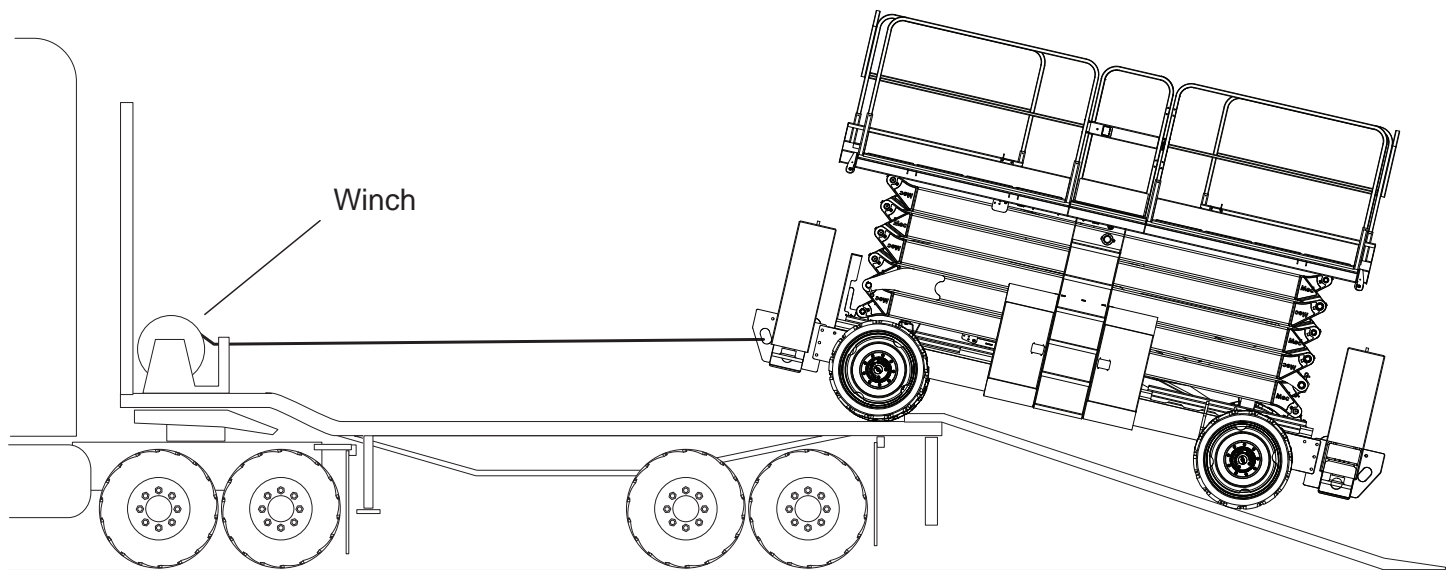
Driving

- Turn the Base Key Switch to PLATFORM. Check that the Emergency Stop Switch is reset by turning it clockwise.
- Enter the platform and reset the Platform Emergency Stop Switch.
- Test platform control functions.
- Carefully drive the machine off the transport vehicle with the winch attached.

Note The brakes are automatically released for driving and will automatically apply when the machine stops.

Winching

- Disengage brakes (see Disengage Brakes before Towing or Winching on page 44).
- Carefully operate the winch to lower the machine down the ramp.
- Chock the wheels and engage the brakes.



ART_3030

Lifting and Tie Down Instructions

Only qualified riggers should rig and lift the machine.



Ensure that the crane capacity, loading surfaces and straps are sufficient to withstand the machine weight. See the serial plate for the machine weight.

- Fully lower the platform. Be sure the deck extension is retracted and the module doors are closed and secure. Remove all loose items from the machine.
- Determine the center of gravity of the machine.
- Attach rigging to the designated lift points only.
- Adjust the rigging to prevent damage to the machine and to keep the machine level.

Securing to Truck or Trailer for Transport

- Lock the deck extension in the retracted position.
- Turn the key Selector Key Switch to OFF and remove the key before transport.
- Turn the Battery Disconnect Switch to OFF before transport.
- Inspect the entire machine for loose or unsecured items.
- Use chains or straps of ample load capacity.
- Use a minimum of two (2) chains or straps.
- Adjust the rigging to prevent damage to the chains and the machine.

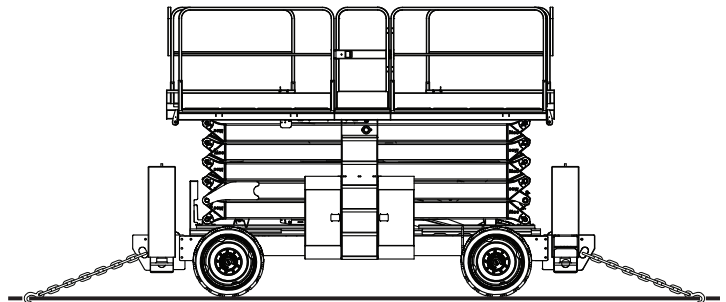
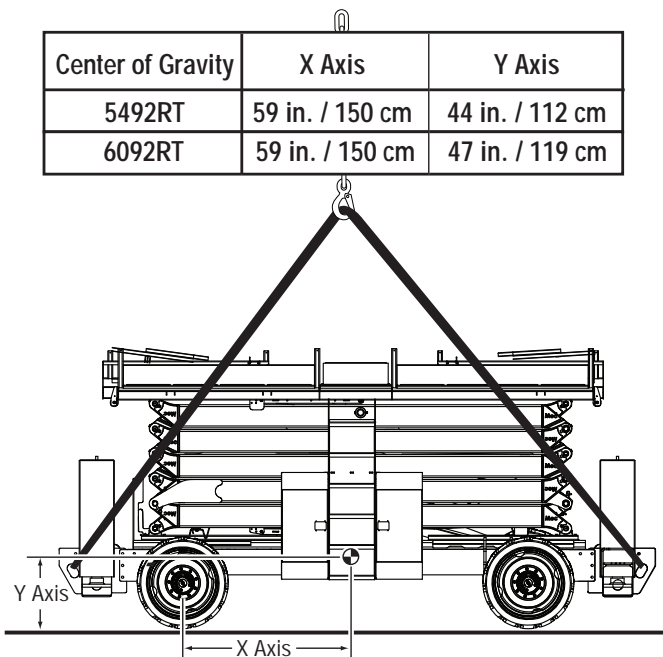



ILLUSTRATION No.
ART_3033

Notes

Notes

Notes



MEC Parts Order Form

Phone: 559-842-1523

Fax: 559-400-6723

Email: Parts@mecawp.com

Please fill out completely

Date: _____

Ordered By: _____

Account: _____

Your Fax No.: _____

Bill to: _____

Ship to: _____

Purchase Order Number _____

Ship VIA _____

** All orders MUST have a Purchase Order Number

**Fed Ex shipments require Fed Ex account number

Part Number	Description	Quantity	Price

All back-ordered parts will be shipped when available via the same ship method as original order unless noted below:

- Ship complete order only - No Backorders
- Ship all available parts and contact customer on disposition of back-ordered parts
- Other (Please specify)



Limited Owner Warranty

MEC Aerial Platform Sales Corp. warrants its equipment to the original purchaser against defects in material and/or workmanship under normal use and service for one (1) year from date of registered sale or date the unit left the factory if not registered. MEC Aerial Platform Sales Corp. further warrants the structural weldments of the main frame and scissor arms to be free from defects in material or workmanship for five (5) years from date of registered sale or date unit left the factory if not registered. Excluded from such warranty is the battery(s) which carries a ninety (90) day warranty from described purchase date. Warranty claims within such warranty period shall be limited to repair or replacement, MEC Aerial Platform Sales Corp's option, of the defective part in question and labor to perform the necessary repair or replacement based on MEC Aerial Platform Sales Corp's then current flat rate, provided the defective part in question is shipped prepaid to MEC Aerial Platform Sales Corp. and is found upon inspection by MEC Aerial Platform Sales Corp. to be defective in material and/or workmanship. MEC Aerial Platform Sales Corp. shall not be liable for any consequential, incidental or contingent damages whatsoever. Use of other than factory authorized parts; misuse, improper maintenance, or modification of the equipment voids this warranty. The foregoing warranty is exclusive and in lieu of all other warranties, express or implied. All such other warranties, including implied warranties of merchantability and of fitness for a particular purpose, are hereby excluded. No Dealer, Sales Representative, or other person purporting to act on behalf of MEC Aerial Platform Sales Corp. is authorized to alter the terms of this warranty, or in any manner assume on behalf of MEC Aerial Platform Sales Corp. any liability or obligation which exceeds MEC Aerial Platform Sales Corp's obligations under this warranty.



MEC Aerial Work Platforms

1401 S. Madera Avenue, Kerman, CA 93630 USA

Toll Free: 1 - 877 - 632 - 5438

Phone: 1 - 559 - 842 - 1500

Fax: 1 - 559 - 842 - 1520

info@MECawp.com

www.MECawp.com