

### Specifications

MODEL	Z-62/40 & Z-62/40 TraX	
Measurements	US	Metric
Working height maximum*	67 ft 11 in	20.87 m
Platform height maximum	61 ft 11 in	18.87 m
Horizontal reach maximum	40 ft 9 in	12.42 m
Up and over clearance maximum	25 ft 7 in	7.80 m
<b>A</b> Platform length - 8 ft / 6 ft model	3 ft / 2 ft 6 in	0.91 m / 0.76 m
<b>B</b> Platform width - 8 ft / 6 ft model	8 ft / 4 ft	2.44 m / 1.83 m
<b>C</b> Height - stowed	8 ft 4 in	2.54 m
- stowed Trax	8 ft 6 in	2.59 m
- transport (jib tucked under)	9 ft 6 in	2.90 m
- transport Trax	9 ft 6 in	2.90 m
<b>D</b> Length - stowed	30 ft 3 in	9.25 m
- transport (jib tucked under)	24 ft 10.5 in	7.58 m
<b>E</b> Width - with tires	8 ft 2 in	2.49 m
- with Trax	8 ft 5 in	2.58 m
<b>F</b> Wheelbase	8 ft 2 in	2.49 m
<b>G</b> Ground clearance - center	1 ft 3 in	38 cm
- Trax center	1 ft 5 in	43 cm

### Productivity

Lift capacity	500 lb	227 kg
Platform rotation	180°	
Vertical jib rotation	135°	
Turntable rotation	360° continuous	
Turntable tailswing	zero	
Drive speed - stowed	3.0 mph	4.8 km/h
Drive speed - raised**	0.68 mph	1.1 km/h
Gradeability - 2WD - stowed***	30%	30%
Gradeability - 4WD - stowed***	45%	45%
Tilt sensor activation	front to back: 4.5° and side to side: 4.5°	
Turning radius - 2WS inside	9 ft 2 in	2.80 m
Turning radius - 2WS outside	18 ft 9 in	5.71 m
Turning radius - 4WS inside	4 ft 5 in	1.35 m
Turning radius - 4WS outside	11 ft 11 in	3.6 m
Controls	12V DC proportional	
Tires	355/55D 625	

### Power

Power source	49 hp (36.54 kW) Deutz diesel T4f D2.9L4****	
	49 hp (36.54 kW) Perkins diesel T4f 404D-22*****	
	74 hp (55.18 kW) Deutz diesel T4f TD2.9L4****	
	60 hp (44.74 kW) Ford gas/LPG MSG425	
Auxiliary power unit	12V DC	
Hydraulic tank capacity	35 gal	132.5 L
Fuel tank capacity - diesel	36 gal	136.3 L
- gas	20 gal	75.7 L

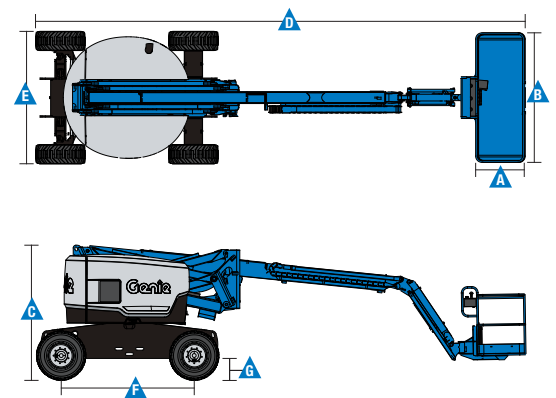
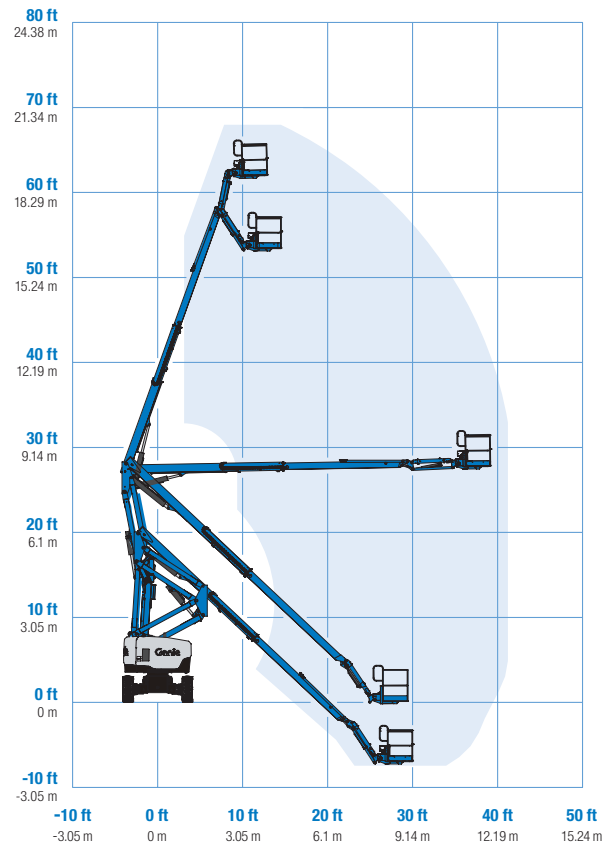
### Weight\*\*\*\*

2WS	22,185 lb	10,063 kg
4WS	22,690 lb	10,292 kg
Trax	27,357 lb	12,409 kg

### Standards Compliance

ANSI A92.20, CSA B354.6, EN 280, AS 1418.10

### Range Of Motion Z-62/40 & Z-62/40 TraX



\* The metric equivalent of working height adds 2 m to platform height. U.S. adds 6 ft to platform height.

\*\* In lift mode (platform raised), the machine is designed to operate on firm, level surfaces only.

\*\*\* Gradeability applies to driving on slopes. See operators manual for details regarding slope ratings.

\*\*\*\* Weight will vary depending on options and/or country standards.

\*\*\*\*\* Tier 4f engines available in US only.

### Features

#### Standard Features

##### Measurements

- 67 ft 11 in (20.87 m) working height
- 40 ft 9 in (12.42 m) horizontal reach
- 25 ft 7 in (7.8 m) up and over clearance
- Up to 500 lb (227 kg) lift capacity

##### Productivity

- Self-leveling platform
- Hydraulic platform rotation
- Proportional joystick controls
- Drive enable
- AC power cord to platform
- Horn
- Hour meter
- Tilt alarm
- Descent alarm
- Zero tailswing
- 360° continuous turntable rotation
- Locking turntable covers
- Positive traction drive
- 2 speed wheel motors
- Hydraulic oil cooler
- Lift Tools<sup>™</sup> Work Tray
- Entry toeboard
- Lift Connect<sup>™</sup> Telematics
- Lift Guard<sup>™</sup> Contact Alarm
- Platform load sense

##### Power

- 12V DC auxiliary power
- Engine protection package
- Anti-restart engine protection
- Auto engine fault shutdown
- Intake air heater (Deutz engine)

#### Easily Configured To Meet Your Needs

##### Platform Options

- Steel 8 ft (2.44 m) tri entry with side swing gate (standard)
- Steel 6 ft (1.83 m) dual entry with side swing gate

##### Jib

- 5 ft (1.52 m) jib boom

##### Engine Options

- 49 hp (36.54 kW) Deutz diesel T4f\* (standard)
- 49 hp (36.54 kW) Perkins diesel T4f\*
- 60 hp (44.74 kW) Ford gas/LPG

##### Drive Options

- 2WD
- 4WD
- 4WS

##### Axle Options

- Active oscillation (standard on 4WD)
- Non-oscillating (2WD only)

##### Tire Options

- Rough terrain foam-filled
- Rough terrain non-marking foam-filled
- TraX<sup>™</sup>

#### Options & Accessories

##### Productivity Options

- Lift Guard Platform Mesh - Half
- Lift Guard Platform Mesh - Full
- Platform top auxiliary rail
- Welder package
- Welder Ready package
- Air line to platform
- Specialty hydraulic oil (cold weather, fire resistant, or biodegradable)
- Deluxe Hostile environment kit
- Aircraft protection package (6ft platform only)
- Thumb rocker steer
- Pipe cradle (pair)
- Alarm package
- Panel cradle package
- Lockable platform control box covers
- Tow package
- Work light package
- Operator Protective Structure\*\*
- Fall Arrest Bar
- Lift Tools Expo Installer\*
- Lift Tools Access Deck\*

##### Power Options

- Engine gauge package (standard on T4f engines)
- AC generator packages (110V/60Hz 220V/50Hz, 3000W)
- Cold Weather Packages
- Diesel scrubber/spark arrestor (catalytic muffler) (not available on T4f engines)
- LPG tank 33.5 lb (15.19 kg) capacity
- Positive air shut off system (Deutz engine only)

\* Also available as Tier 4 in limited regions  
\*\* Available through aftermarket parts only



#### Genie United States

6464 185th Ave. NE  
Redmond, WA 98052  
Telephone +1 (425) 881-1800  
Toll Free in USA/Canada +1 (800)-536-1800  
Fax +1 (425) 883-3475

#### Distributed By:

